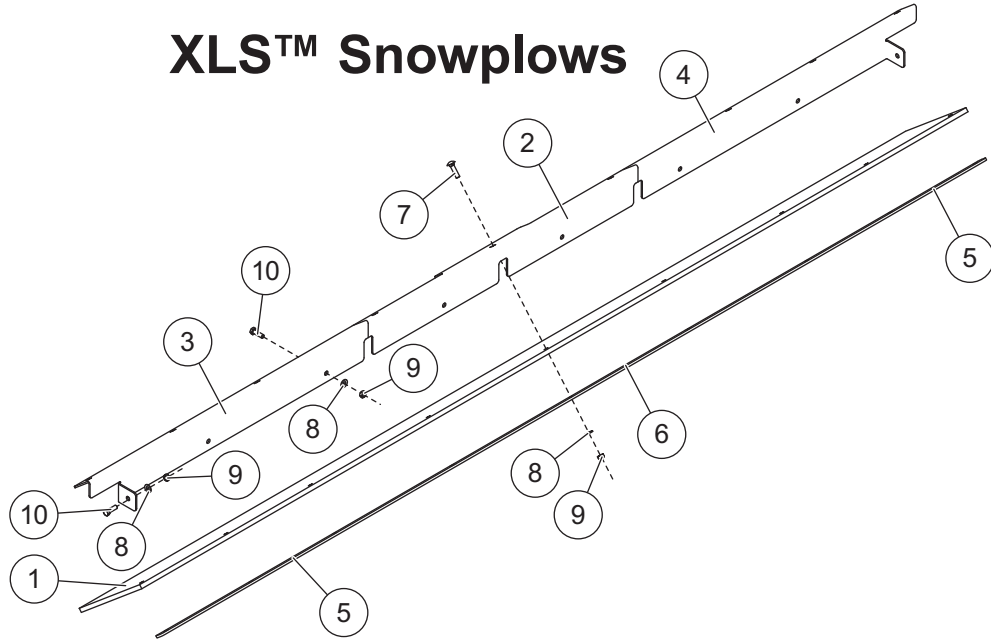




# Rubber Deflector

## XLS™ Snowplows

### PARTS LIST



50628 Rubber Deflector Kit							
Item	Part	Qty	Description	Item	Part	Qty	Description
1	50679	1	Rubber Deflector	5	B61658	2	Mount Strip – End
2	50681	1	Mount Angle – Center	6	B61659	1	Mount Strip – Center
3	B61652	1	Mount Angle – DS	ns	B61379	1	Bolt Bag
4	B61654	1	Mount Angle – PS				
B61379 Bolt Bag							
7		9	5/16-18 x 1-1/4 Carriage Bolt	9		17	5/16-18 Hex Locknut GB
8		17	5/16 Hardened Flat Washer	10		8	5/16-18 x 1 Hex Cap Screw G5
ns = not shown				G = Grade			

#### ⚠ WARNING

Do not exceed GVWR or GAWR, including blade and ballast. The rating label is found on the driver-side vehicle door cornerpost.

#### ⚠ CAUTION

Read this document before installing the rubber deflector.

#### ⚠ CAUTION

Use standard methods and practices when attaching snowplow and installing accessories including proper personal protective safety equipment.

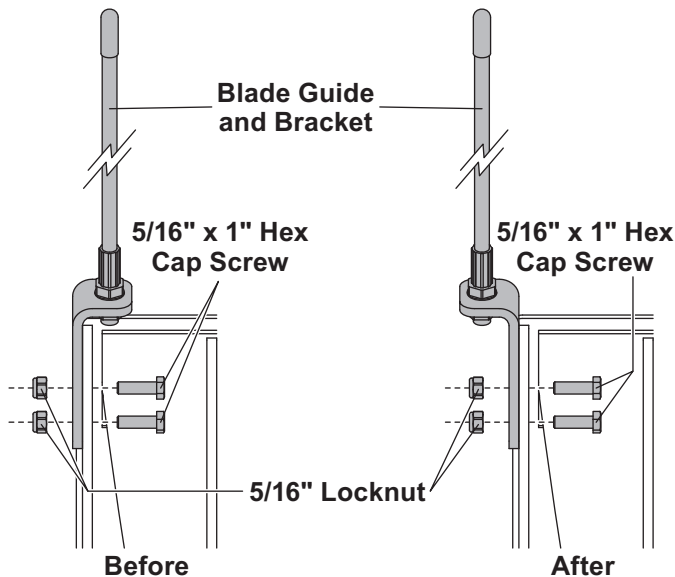
#### ⚠ CAUTION

See your FISHER® outlet/Web site for specific vehicle application recommendations before installation. Rubber deflector weight information may be found in the Kit Selection Guide.

## INSTALLATION INSTRUCTIONS

1. Park the vehicle on a smooth, level, hard surface, such as concrete. Lower the blade to the ground, and turn the control OFF. Disconnect the snowplow from the vehicle, or turn the vehicle ignition to the "OFF" position and remove the key.
2. If your snowplow has blade guides installed, they must be reversed before installing the rubber deflectors.

Remove the 5/16" locknuts that secure the blade-guide bracket. Remove the bracket, turn it around and reinstall it as shown. Repeat for both sides and tighten the fasteners to 18 ft-lb.



3. Position the mount angles on the logo side of the deflector and the mount strips on the opposite side of the rubber deflector. Attach the mount strips and mount angles to the deflector using the supplied 5/16" x 1-1/4" carriage bolts, washers and locknuts. Finger tighten the fasteners until the mount strips and mount angles are snug against the deflector.

Copyright © 2010 Douglas Dynamics, L.L.C. All rights reserved. This material may not be reproduced or copied, in whole or in part, in any printed, mechanical, electronic, film or other distribution and storage media, without the written consent of Fisher Engineering. Authorization to photocopy items for internal or personal use by Fisher Engineering outlets or snowplow owner is granted.

Fisher Engineering reserves the right under its product improvement policy to change construction or design details and furnish equipment when so altered without reference to illustrations or specifications used. Fisher Engineering or the vehicle manufacturer may require or recommend optional equipment for snow removal. Do not exceed vehicle ratings with a snowplow. Fisher Engineering offers a limited warranty for all snowplows and accessories. See separately printed page for this important information. The following are registered (®) or unregistered (™) trademarks of Douglas Dynamics, L.L.C.: FISHER®, XLS™.

**NOTE: Each mount angle should be aligned with and butted up against the end of the other mount angles.**

4. Position the assembled deflector against the inside, top angle of the moldboard. Align the notches in the mount angles with the center support ribs on the blade. Both bent tabs' holes should align with the holes of the support rib on each end. Clamp the mount angles into place on the blade.
5. Using the holes in the mount angles as guides, drill eight 3/8" holes in the moldboard and ribs.
6. Attach the assembled deflector to the blade using the supplied 5/16" x 1" cap screws, washers and locknuts. Tighten the fasteners to 18 ft-lb.
7. Tighten the fasteners securing the mount strips and mount angles to the deflector (from Step 3) until the mount strips and mount angles are tight against the deflector.

