



**Fisher Engineering**

**27500, 28000, 28100-1, 28500,  
29000, 29100-1, 74000**

50 Gordon Drive, Rockland, Maine 04841-2139 • [www.fisherplows.com](http://www.fisherplows.com)

December 15, 2013  
Lit. No. 57999, Rev. 02



## **XBLADE™ & HD Series Skid Steer Snowplows**

**XBLADE Blade Assembly 28100-1, 29100-1**

**HD Series Blade Assembly 27500, 28000, 28500, 29000**

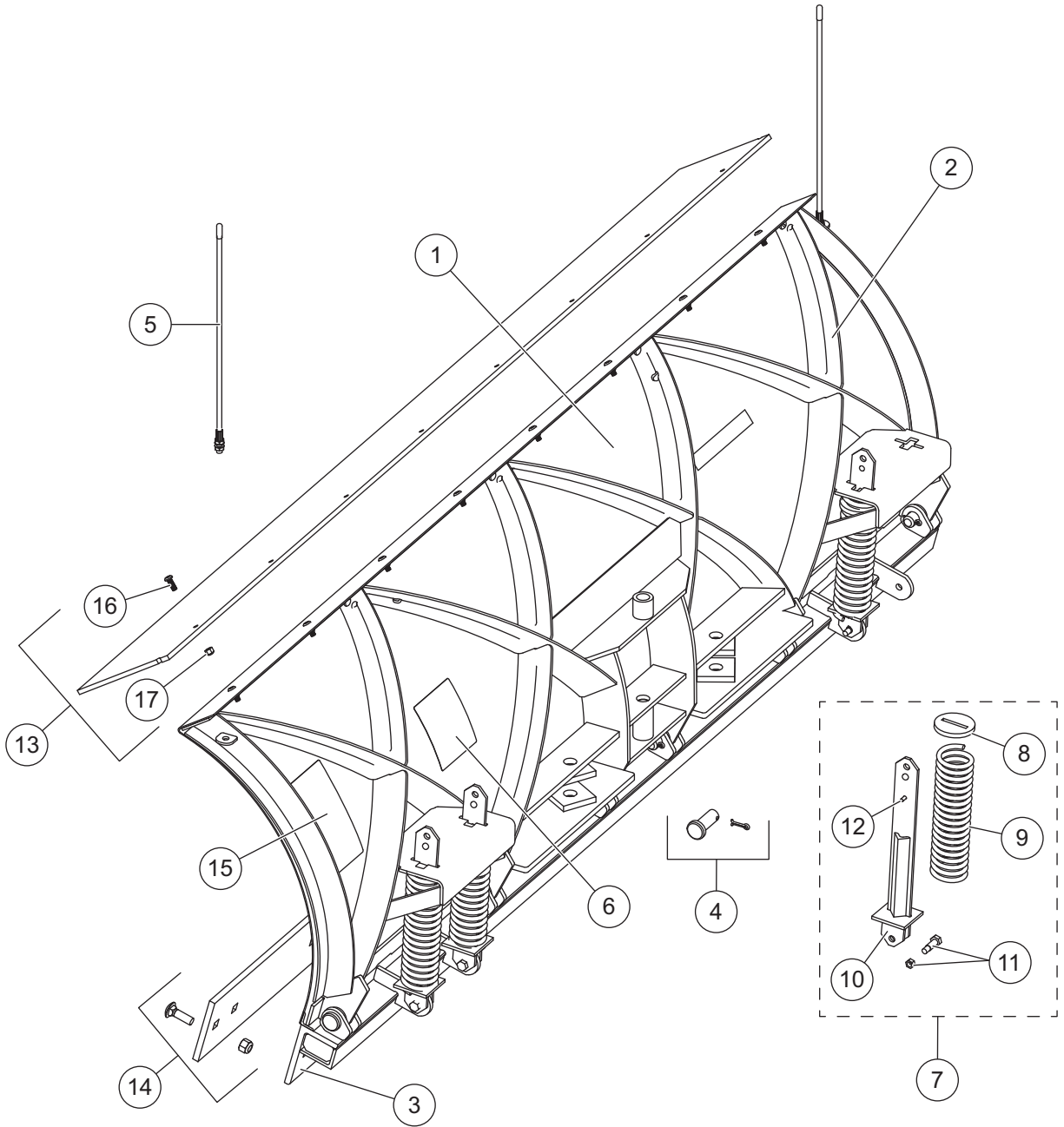
**A-Frame/Attachment Plate & Hydraulics 74000**

**Parts List**



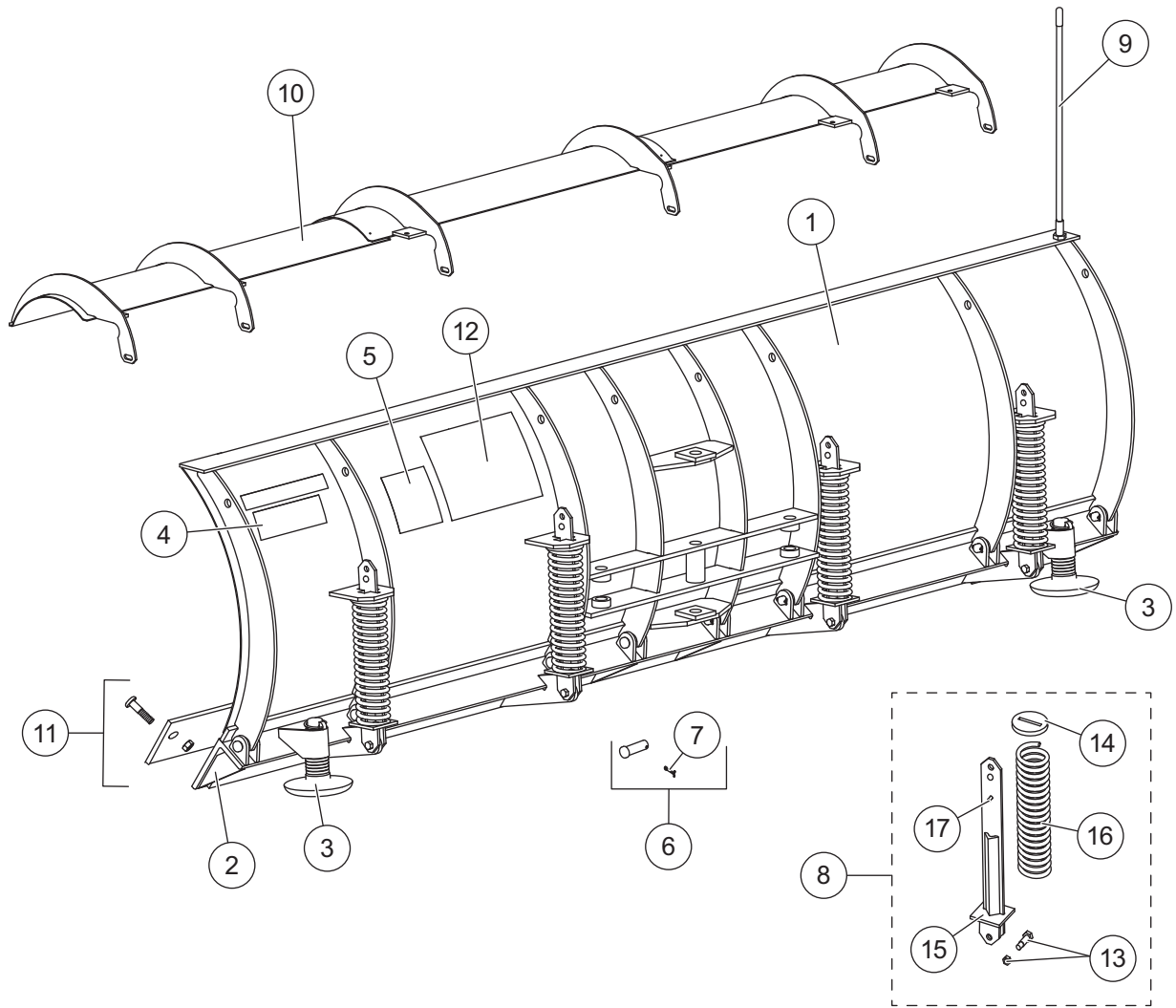
**BLADE COMPONENTS** ..... 4  
    XBLADE™ ..... 4  
    HD Series Blades ..... 6  
**A-FRAME COMPONENTS**..... 8  
**ANGLE RAM COMPONENTS** ..... 10  
**HYDRAULIC COMPONENTS** ..... 11

Blade Components – XBLADE™



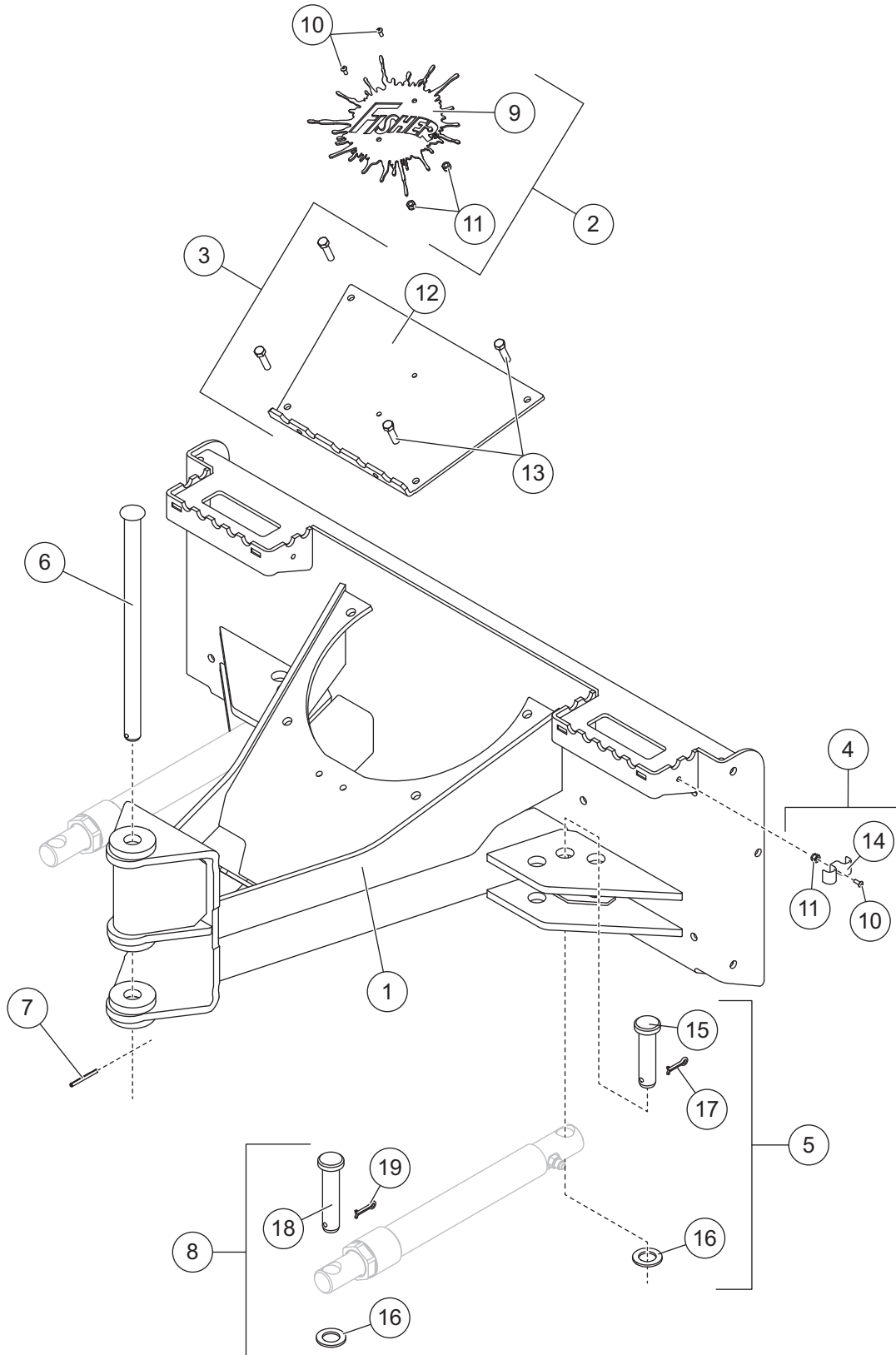
28100-1, 29100-1 Blade Components – XBLADE™							
Item	Part	Qty	Description	Item	Part	Qty	Description
1	28103	1	Stainless Steel Moldboard Assy, 8'	9	5323	4	Trip Spring
	29103	1	Stainless Steel Moldboard Assy, 9'	10	21450	4	Removable Spring Bar
2	27538	1	Blade Frame (w/o Base Angle), 8'	11	40905	4	Shoulder Bolt w/Locknut
	27539	1	Blade Frame (w/o Base Angle), 9'	12	20181	4	1/4 x 1-1/4 Pin
3	27558	1	Base Angle, 8'	13†	27600-1	1	Rubber Deflector Kit
	27559	1	Base Angle, 9'	14†	27580	1	Cutting Edge Kit, 8'
4	27241	6	1 x 2-3/4 Clevis Pin w/Cotter (8' blade)		27590	1	Cutting Edge Kit, 9'
		8	1 x 2-3/4 Clevis Pin w/Cotter (9' blade)	15	57990	1	Label – Skid Steer Attach/Detach
5	7906K	1	Blade Guides (pkg of 2)	ns	20238	1	Label – FISHER® Splatter
6	59900	1	Label – Warning/Caution, Snowplow	ns†	27222	1	Curb/Shoe Kit
7	21452	4	Removable Spring Assembly	ns†	44406	1	Curb Guard Kit
8	20191	4	Removable Spring Disc				
<b>Item 13†</b>				<b>27600-1 Rubber Deflector Kit</b>			
16	98035	8	3/8-16 x 1 Button Cap Screw SS (8' blade)	17	95410	8	3/8-16 Hex Locknut SS (8' blade)
		10	3/8-16 x 1 Button Cap Screw SS (9' blade)			10	3/8-16 Hex Locknut SS (9' blade)
† = Accessory Only		ns = not shown		SS = Stainless Steel			

Blade Components – HD Series Blades



27500, 28000, 28500, 29000 Blade Components – HD Series							
Item	Part	Qty	Description	Item	Part	Qty	Description
1	27500	1	HD Blade Assembly, 7-1/2'	9	7906K	1	Blade Guides (pkg of 2)
	28000	1	HD Blade Assembly, 8'	10†	27100	1	SnoFoil® Assembly
	28500	1	HD Blade Assembly, 8-1/2'	11†	50678	1	1/2" Steel Cutting Edge, 7-12'
	29000	1	HD Blade Assembly, 9'		5533	1	1/2" Steel Cutting Edge, 8'
2	29440	1	Base Angle, 7-1/2'		26460	1	1/2" Steel Cutting Edge, 8-12'
	26441	1	Base Angle, 8'		5534	1	1/2" Steel Cutting Edge, 9'
	26442	1	Base Angle, 8-1/2'	ns†	5532	1	3/8" Steel Cutting Edge, 7-1/2' only
	26443	1	Base Angle, 9'	ns†	283	1	Steel Deflector Kit, 7-1/2'
3	26523	2	Shoe, 6" Solid Cast		26480	1	Steel Deflector Kit, 8'
4	26211	1	Label – Identity, STORM GUARD™		26485	1	Steel Deflector Kit, 8-1/2'
5	59900	1	Label – Warning/Caution, Snowplow		26490	1	Steel Deflector Kit, 9'
6	5523K	8	3/4 x 2-3/16 Machine Pin Kit	ns†	44405	1	Curb Guard Kit 1/2" (7-1/2', 8' & 8-1/2' blades)
7	90658	8	5/32 x 1-1/4 Cotter Pin		44406	1	Curb Guard Kit 5/8" (9' blade)
8	26464	3	Removable Spring Assy (7-1/2' blade)	12	57990	1	Label – Skid Steer Attach/Detach
		4	Removable Spring Assy (8', 8-1/2' & 9' blades)	ns	20238	1	Label – FISHER® Splatter
<b>Item 8</b>				<b>26464 Removable Spring Assembly</b>			
13	40905	1	Shoulder Bolt w/Locknut	16	27406	1	Trip Spring
14	20191	1	Removable Spring Disc	17	20181	1	1/4 x 1-1/4 Pin
15	20757	1	Removable Spring Bar				
		† = Accessory Only				ns = not shown	
						SS = Stainless Steel	

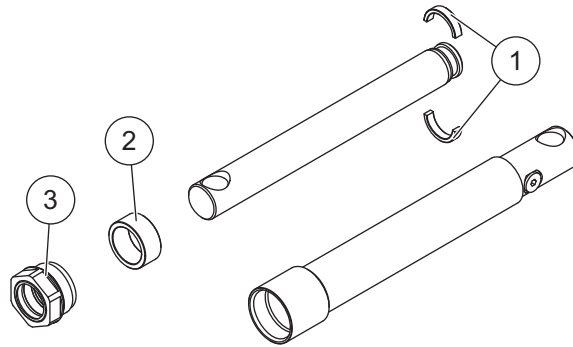
A-Frame Components – XBLADE™ & HD Series





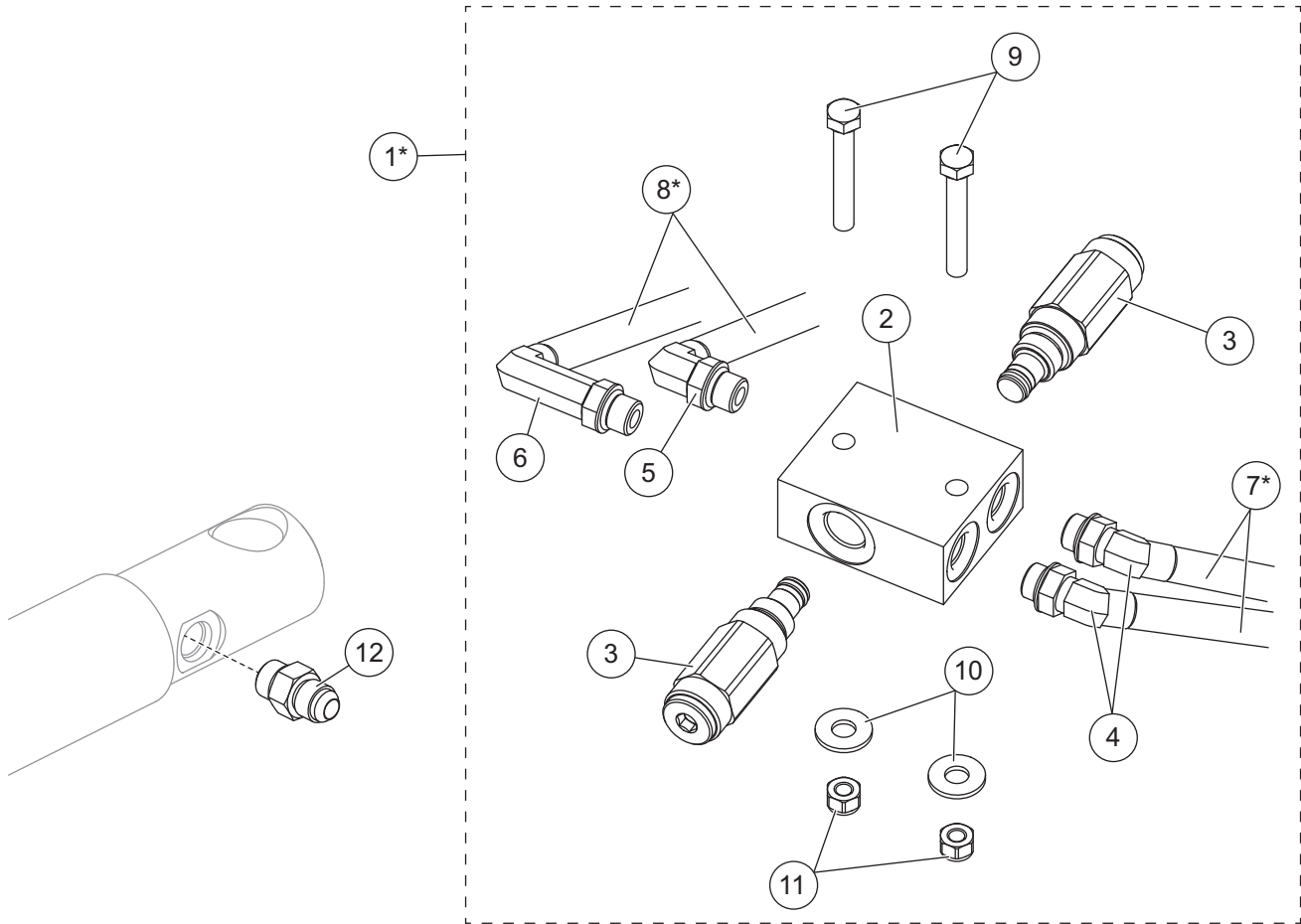


**Angle Ram Components**



56603K Angle Ram Assembly 1-1/2 x 12							
Item	Part	Qty	Description	Item	Part	Qty	Description
1	20118K	2	Split Bearing Kit	3	48985	1	Gland Nut Assembly
2	56537	1	Spacer				

Hydraulic Components



Hydraulic Components							
Item	Part	Qty	Description	Item	Part	Qty	Description
1*	57982	1	Relief Manifold w/Valves, Fittings & Hardware	6	44361	1	Elbow, Extra Long 90° -6 M JIC/ -6 M ORB
2	57984	1	Relief Manifold	7*	57965	2	Hose, 3/8 x 84 w/F JIC Ends
3	57895	2	Relief Valve, 3300 psi	8*	44348	2	Hose, 3/8 x 42 w/F JIC Ends
4	57877	2	Elbow, Special 45° -6 M JIC/ -6 M ORB	ns	57983	1	Hardware Bag
5	56725	1	Elbow, 90° -6 M JIC/-6 M ORB	ns	57893	1	1/2 Coupler Set (accessory only)
57983 Hardware Bag							
9		2	5/16-18 x 2-1/4 Hex Cap Screw G5	12	49526	2	Connector, Short -6 M JIC/ -6 M ORB
10		2	5/16 Flat Washer				
11		2	5/16-18 Hex Locknut				
			F = Female			M = Male	
						G = Grade	

\* Hoses not included in item 1.

Copyright © 2013 Douglas Dynamics, LLC. All rights reserved. This material may not be reproduced or copied, in whole or in part, in any printed, mechanical, electronic, film or other distribution and storage media, without the written consent of Fisher Engineering. Authorization to photocopy items for internal or personal use by Fisher Engineering outlets or snowplow owner is granted.

Fisher Engineering reserves the right under its product improvement policy to change construction or design details and furnish equipment when so altered without reference to illustrations or specifications used. Fisher Engineering or the vehicle manufacturer may require or recommend optional equipment for snow removal. Do not exceed vehicle ratings with a snowplow. Fisher Engineering offers a limited warranty for all snowplows and accessories. See separately printed page for this important information. The following are registered (®) or unregistered (™) trademarks of Douglas Dynamics, LLC: FISHER®, SnoFoil®, STORM GUARD™, XBLADE™.

**Printed in U.S.A.**

---