

# Ballast Retainer Kit Assembly Instructions

**N**OTE: The ballast retainer kit is for plow vehicles requiring ballast (additional weight) in the bed of the truck. Refer to the selection list for the correct amount of ballast requirement with this retainer and subtract 50 lb. for the weight of the retainer. Sand bags are recommended for additional weight.

## MATERIALS REQUIRED

Quantity	Material
8	2" x 4" x 8' Pieces of Lumber
33	2-1/2" Wood Screws

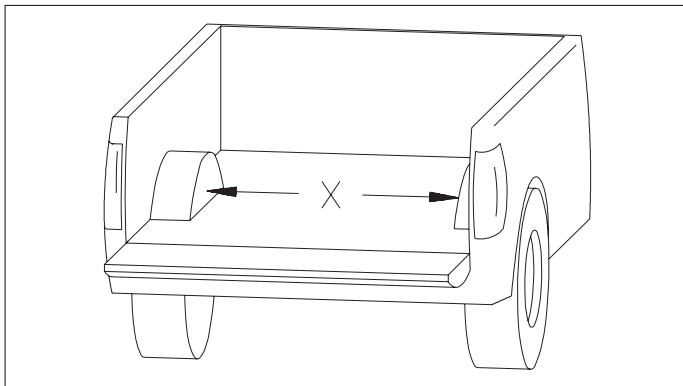
## WOOD FRAME

**N**OTE: Materials for the wood frame are not included with this kit.

For 8' boxes, proceed to Step 4.

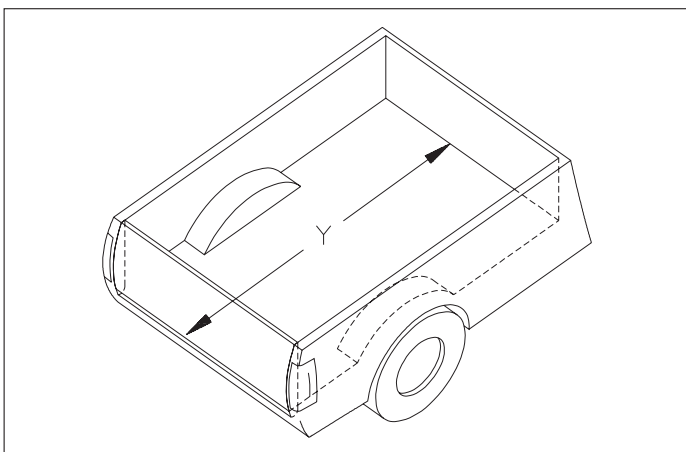
For any other size box, follow the steps below.

1. Measure distance X at the base of the wheel wells as shown in Figure 1.



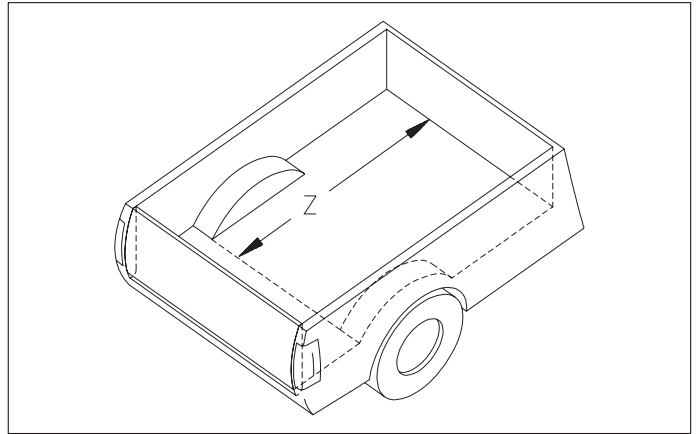
*Figure 1*

2. With the tailgate up, measure distance Y. See Figure 2.



*Figure 2*

3. Measure distance Z as shown in Figure 3.

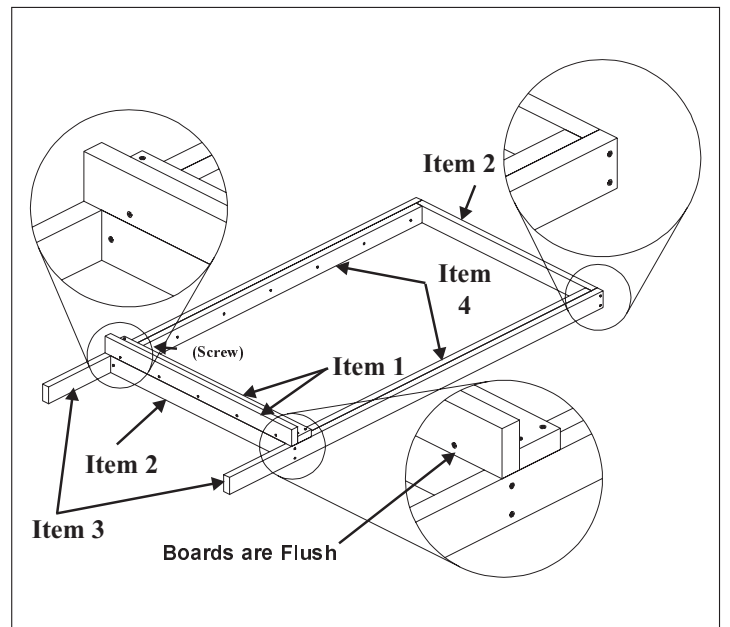


*Figure 3*

4. Measure and cut 2" x 4" lengths of lumber to the specified sizes as shown in the table below.

Item	Qty.	Full Width 8' Box	All Others w/ Wheelwells	No Inside Wheelwells
1	2	46-1/2"	X	X - 10.25"
2	2	43-1/2"	X - 3"	X - 13.25"
3	2	95"	Y - 1"	Y - 1"
4	2	72"	Z	Y - 23"

5. Assemble the wood frame using the specified wood screws. See Figure 4.



*Figure 4*

# Ballast Retainer Kit Assembly Instructions

## BALLAST RETAINER

1. Insert the wood frame into the truckbed.
2. For 8' boxes, assemble the ballast retainer using the pre-drilled holes. Proceed to Step 6. For any other size box, place the two ballast retainers on the wood frame with the driver-side ballast retainer on top of the curb-side ballast retainer. See Figure 5.

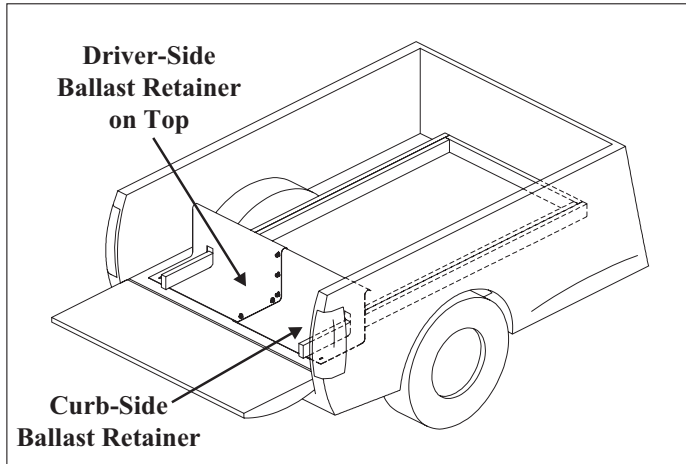


Figure 5

3. Using the driver-side ballast retainer as a template, mark the locations of the five holes on the curb-side ballast retainer.
4. Remove the ballast retainers from the wood frame and drill five 13/32" holes in the curb-side ballast retainer.
5. Assemble the driver-side ballast retainer to the curb-side ballast retainer using a 3/8" carriage bolt through each hole and secure with four plain washers and a locknut on each hole. See the Parts Diagram at right.

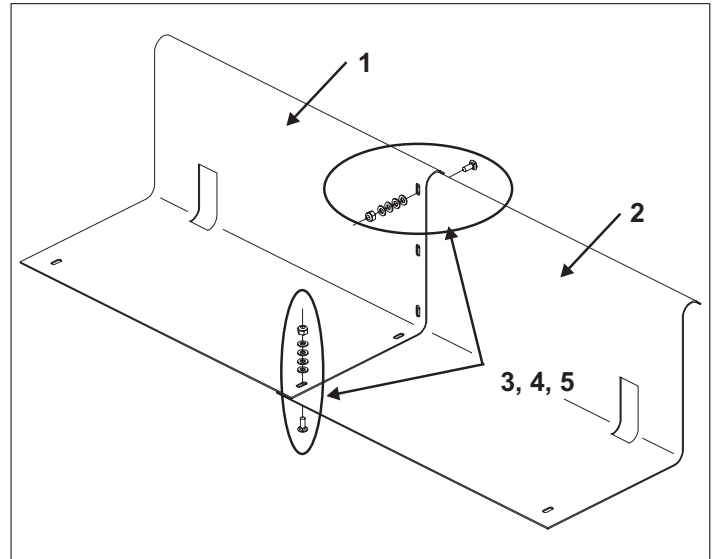
## CAUTION

**Install the base carriage bolts from the bottom upwards to avoid damaging the truckbed.**

6. Lift the rear of the wood frame and slide the assembled ballast retainer onto the wood frame.

**N**OTE: Place the additional weight (sand bags are recommended) on the base of the ballast retainer.

## PARTS DIAGRAM



## PARTS LIST

ITEM	PART NO.	QTY.	DESCRIPTION
1	62847	1	BALLAST RETAINER DR
2	62848	1	BALLAST RETAINER CU
*	62854	1	BALLAST RETAINER BOLT BAG
3	. 90201	5	3/8-16X1 CB G5 ZP
4	. 91333	5	3/8-16 PT HX LK NUT NYIS ZYC
5	. 91103	20	3/8 PLAIN WASHER TY A STD ZP

**N**OTE: Indented parts are included in the assembly under which they are listed.

\* Not shown

### ABBREVIATION KEY

CB	CARRIAGE BOLT	PT	PREVAILING TORQUE
CU	CURB-SIDE	STD	STANDARD
DR	DRIVER-SIDE	TY	TYPE
G	GRADE	ZP	ZINC PLATE
HX	HEX	ZYC	ZINC YELLOW CHROMATE
LK	LOCK		
NYIS	NYLON INSERT		