



Fisher Engineering

50 Gordon Drive, Rockland, Maine 04841-2139 • www.fisherplows.com

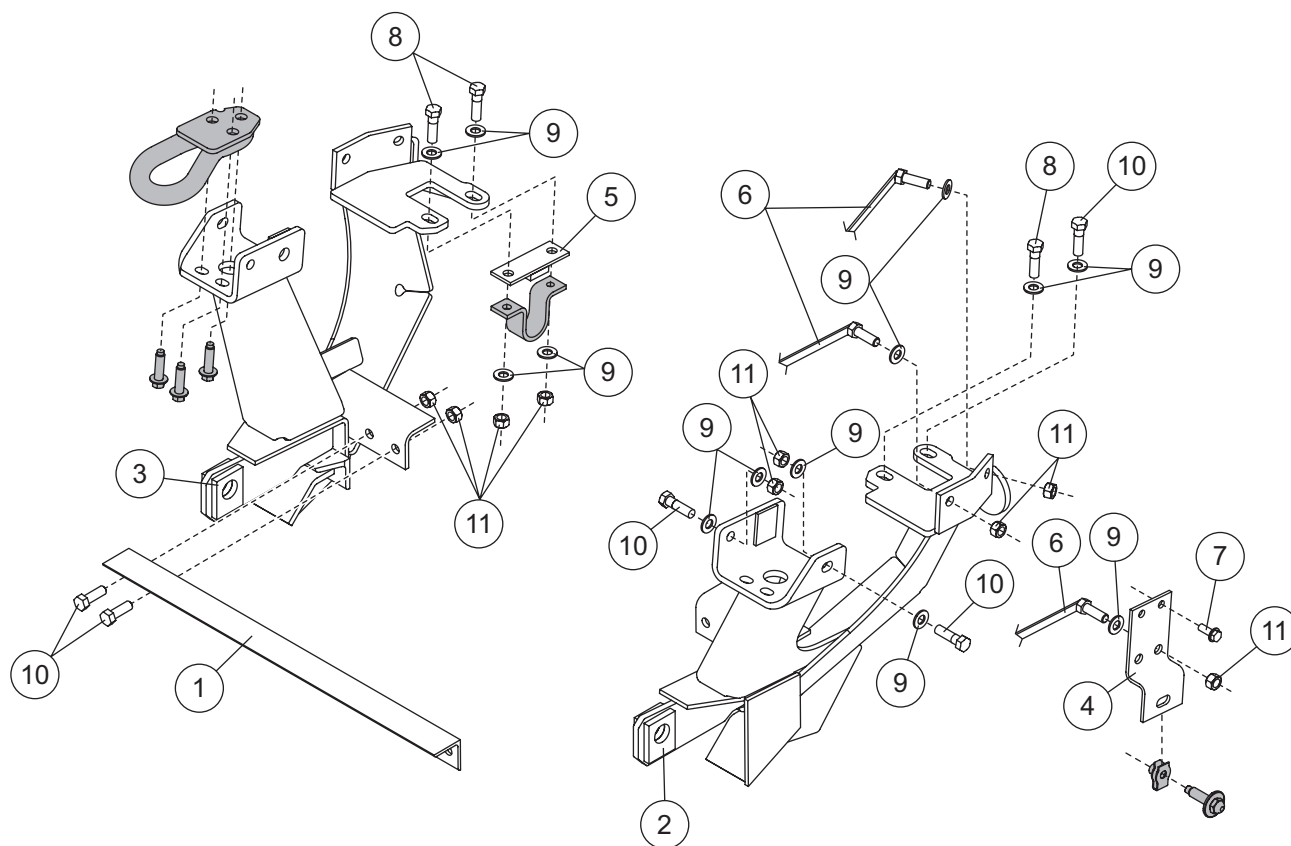
October 1, 2007
Lit. No. 64690, Rev. 05

Minute² SYSTEM

MOUNT KIT

Ford Super Duty F250/350/450/550 2005 - 07

Parts List



Shaded parts are original vehicle components.

7176 Mount Kit							
Item	Part	Qty	Description	Item	Part	Qty	Description
1	67696	1	Cross Bar	6	22314	6	1/2-13 x 1-1/2 Hex Cap Screw G5 with Handle
2	64668	1	Mount – DS	ns	66871	1	Ford BlockerBeam™ Warning Tag
3	64669	1	Mount – PS	ns	64677	1	Bolt Bag
4	64670	2	Bumper Mounting Bracket				
5	64671	2	Sway Bar Spacer				
64677 Bolt Bag							
7	98055	2	3/8-16 x 3/4 Tapping Screw	10	90101	9	1/2-13 x 1-3/4 Hex Cap Screw G5
8	90217	3	1/2-13 x 2 Hex Cap Screw G5	11	90355	18	1/2-13 Hex Locknut GB
9	90572	22	1/2 Hardened Flat Washer	ns	61536	6	Cable Tie – Long
ns = not shown				G = Grade			

Copyright © 2007 Douglas Dynamics, L.L.C. All rights reserved. This material may not be reproduced or copied, in whole or in part, in any printed, mechanical, electronic, film or other distribution and storage media, without the written consent of Fisher Engineering. Authorization to photocopy items for internal or personal use by Fisher Engineering outlets or snowplow owner is granted.

Fisher Engineering reserves the right under its product improvement policy to change construction or design details and furnish equipment when so altered without reference to illustrations or specifications used. Fisher Engineering and the vehicle manufacturer may require or recommend optional equipment for snow removal. Do not exceed vehicle ratings with a snowplow. Fisher Engineering offers a limited warranty for all snowplows and accessories. See separately printed page for this important information. The following are registered (®) trademarks of Douglas Dynamics, L.L.C.: FISHER®, Minute Mount® 2.

Printed in U.S.A.