



Fisher Engineering

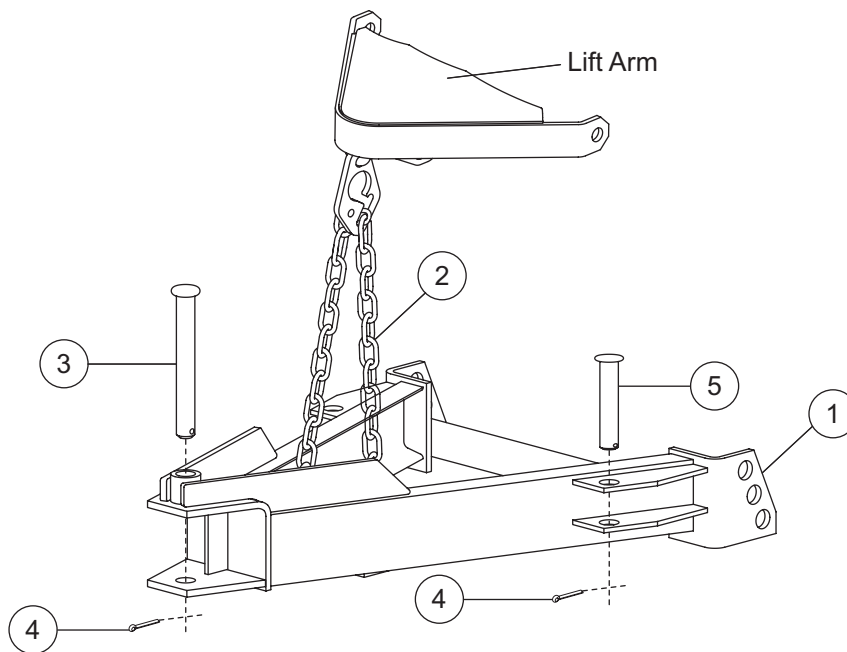
50 Gordon Drive, Rockland, Maine 04841-2139 • www.fisherplows.com

March 1, 2008
Lit. No. 68256, Rev. 00

Minute² SYSTEM

A-Frame Kit for 6'-9" and 7-1/2' SD-Series Blade

Parts List



27995-1 A-Frame Kit SD-Series Blades							
Item	Part	Qty	Description	Item	Part	Qty	Description
1	*	1	A-Frame	ns	27914	1	Bolt Bag
2	27912	1	Chain Bag – MM2 LD/SD/EZ-V				
27914 Bolt Bag							
3	27979	1	1 OD x 8 Clevis Pin	5	22260	2	1 OD x 4-3/4 Clevis Pin
4	90013	3	1/4 x 2 Cotter Pin	ns	A6148K	2	U-Bolt Assembly
A6148K U-Bolt Assembly							
ns	90453	1	3/8-16 x 1-5/8 x 1/2 x 1-1/8 U-Bolt	ns	91413	2	3/8-16 Hex Nut G5
ns	91203	2	3/8 Spring Lock Washer				
* available as service kit only			G = Grade			ns = not shown	

Copyright © 2008 Douglas Dynamics, L.L.C. All rights reserved. This material may not be reproduced or copied, in whole or in part, in any printed, mechanical, electronic, film or other distribution and storage media, without the written consent of Fisher Engineering. Authorization to photocopy items for internal or personal use by Fisher Engineering outlets or snowplow owner is granted.

Fisher Engineering reserves the right under its product improvement policy to change construction or design details and furnish equipment when so altered without reference to illustrations or specifications used. Fisher Engineering or the vehicle manufacturer may require or recommend optional equipment for snow removal. Do not exceed vehicle ratings with a snowplow. Fisher Engineering offers a limited warranty for all snowplows and accessories. See separately printed page for this important information. The following are registered (®) trademarks of Douglas Dynamics, L.L.C.: FISHER®, Minute Mount® 2.

Printed in U.S.A.