



**Fisher Engineering**

50 Gordon Drive, Rockland, Maine 04841-2139 • [www.fisherplows.com](http://www.fisherplows.com)

March 1, 2022  
Lit. No. 68664, Rev. 03

# DRIVE COMPONENTS

## 110 Series Spreader

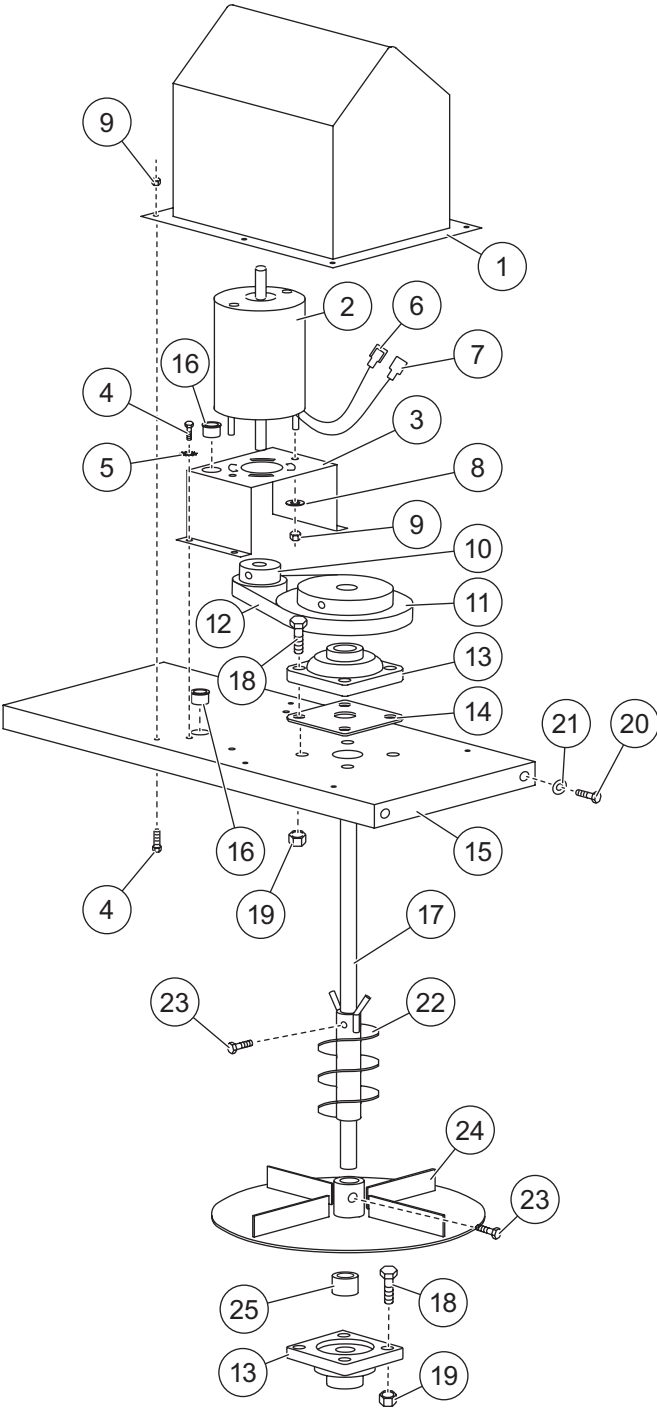
### Parts List



This Parts List is for FISHER® Model 110 Low-Profile Tailgate Spreaders with serial numbers beginning with 7192 and higher..

A DIVISION OF FISHER, LLC

# DRIVE COMPONENTS



## DRIVE COMPONENTS

110 Series Drive Components								
Item	Part	Qty	Description	Item	Part	Qty	Description	
1	P2121Y	1	Motor Cap Assembly	14	P2095	1	Neoprene Gasket	
2	93105	1	Motor 12V DC 1/3 HP	15	P2009	1	Motor Base Plate	
3	P2010	1	Motor Pedestal	16	M1362	2	Grommet	
4		10	#10-32 x 5/8 Machine Screw SS	17	P3046	1	Drive Shaft	
5		4	#10 External Lock Washer SS	18		8	3/8-16 x 1-1/4 Hex Cap Screw SS	
6	M1458	1	1/4 Blade Terminal (pkg of 5)	19		8	3/8-16 Hex Locknut GB	
7	M1459	1	1/4 Insulated Receptacle (pkg of 5)	20		10	1/4-20 x 3/4 Hex Cap Screw SS	
8	M2052	2	M5 x 10 Flat Washer	21		4	1/4 Flat Washer SS	
9		8	#10-32 Hex Locknut GB SS	22	P2028	1	Auger, 5-Flight	
10	P2100	1	Pulley – Drivegear 12T	23		1	5/16-18 x 1/2 Hex Cap Screw SS	
11	P2101	1	Gear Belt Pulley 40T	24	P2024	1	Spinner – 110	
12	M1355	1	Gear Belt	25	68592	1	Spinner Spacer	
13	68662	2	5/8 Bearing 4-Bolt Flange					
			G = Grade				SS = Stainless Steel	M = Metric



Fisher Engineering  
50 Gordon Drive  
Rockland, ME 04841-2139  
[www.fisherplows.com](http://www.fisherplows.com)

**A DIVISION OF FISHER, LLC**

Copyright © 2022 Douglas Dynamics, LLC. All rights reserved. This material may not be reproduced or copied, in whole or in part, in any printed, mechanical, electronic, film, or other distribution and storage media, without the written consent of Fisher Engineering. Authorization to photocopy items for internal or personal use by Fisher Engineering outlets or spreader owner is granted.

Fisher Engineering reserves the right under its product improvement policy to change construction or design details and furnish equipment when so altered without reference to illustrations or specifications used. Fisher Engineering or the vehicle manufacturer may require or recommend optional equipment for spreaders. Do not exceed vehicle ratings with a spreader. Fisher Engineering offers a limited warranty for all spreaders and accessories. See separately printed page for this important information. The following is a registered (®) trademark of Douglas Dynamics, LLC: FISHER®.

**Printed in U.S.A.**