



Fisher Engineering

**Part of 68810 Kit (1000 Series),
and 21927 Kit (2000 Series)**

50 Gordon Drive, Rockland, Maine 04841-2139 • www.fisherplows.com

October 1, 2018
Lit. No. 68673, Rev. 09



Hopper Components

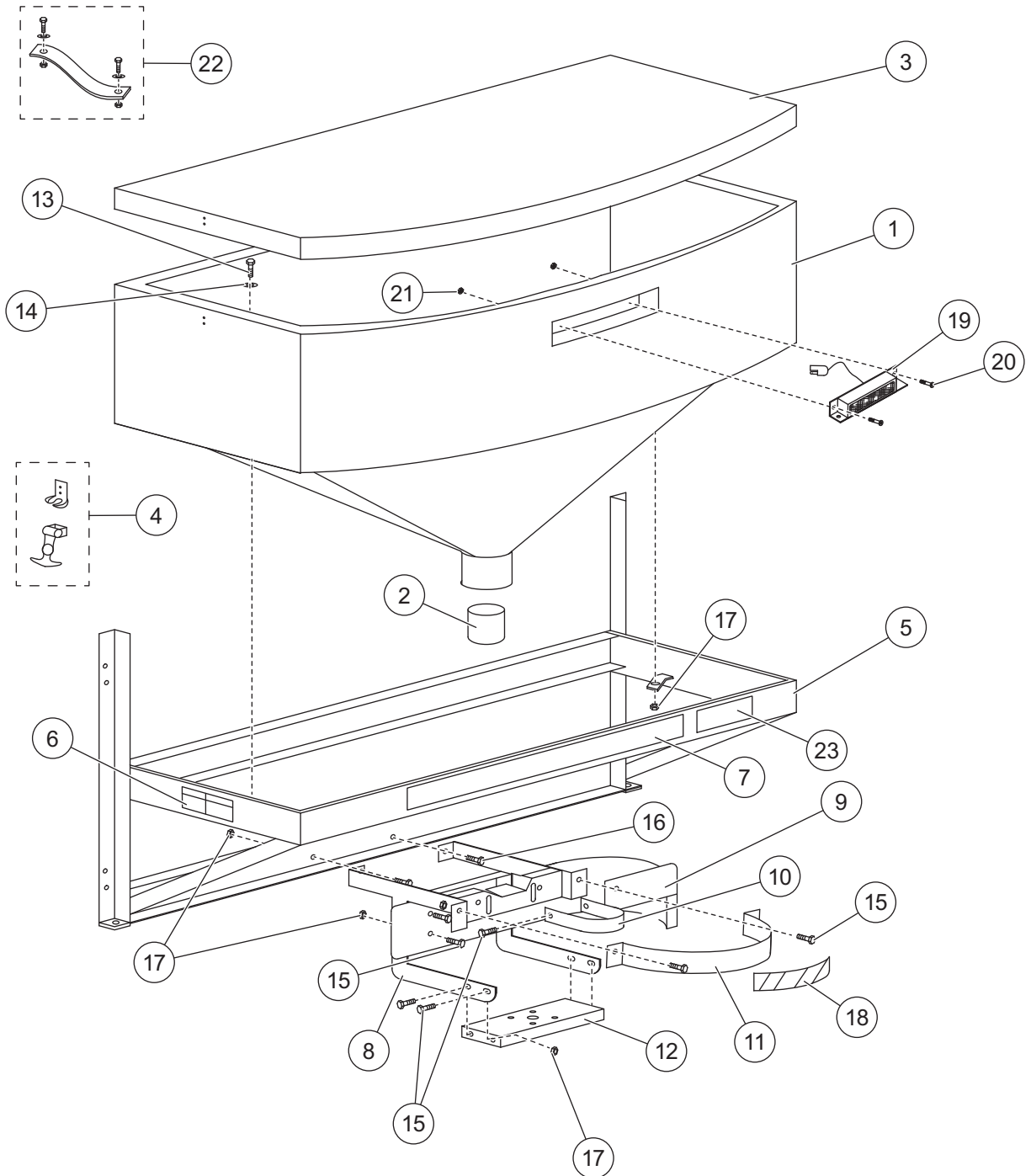
1000 and 2000 Series Low-Profile Tailgate Spreaders

Parts List

This Parts List is for FISHER® Model 1000 & 2000 low-profile tailgate spreaders with serial numbers 20364 (2000 Series) and 10003 (1000 Series) and higher.

MODEL 1000 & 2000 LOW-PROFILE TAILGATE SPREADERS

HOPPER & FRAME COMPONENTS



MODEL 1000 & 2000 LOW-PROFILE TAILGATE SPREADERS

1000 & 2000 Series Hopper & Frame Components							
Item	Part	Qty	Description	Item	Part	Qty	Description
1	68779	1	Hopper Assembly w/Throat Liner (1000 Series)	10	68738	1	Lower Fixture Clamp
	P3040	1	Hopper Assembly w/Throat Liner (2000 Series)	11	P2023	1	Spinner Guard
2	P2003	1	Throat Liner	12	P2020	1	Bearing Mount Plate
3	P3021	1	Hopper Lid (black, no hardware)	13	66456	2	3/8-16 x 1-1/4 Hex Cap Screw G5
	P3031	1	Lid w/Latch Kit (incl. P3021 & P3045)	14	90315	2	3/8 Flat Washer
4	P3045*	1	Lid Latch Kit	15	90097	10	3/8-16 x 3/4 Hex Cap Screw G5
5	68776	1	Main Frame	16	90039	2	3/8-16 x 1 Hex Cap Screw G5
6	68584	1	Label – Warning/Caution	17	91333	14	3/8-16 Hex Locknut GB
7	68782	1	Label – Identity, 1000 Series	18	68737	1	Reflective Strip (2000 unit only)
	P3182	1	Label – Identity, 2000 Series	19	65361	1	Stoplight Assembly (2000 unit only)
8	P3028	1	H-Frame Assembly	20	90693	2	#6-32 x 3/4 Machine Screw
9	P2022	1	Deflector Plate	21	91398	2	#6-32 Hex Locknut
				22	94534	1	Strap Kit (includes all hardware)
				23	11100	1	Label – Warning, Rear Camera
G = Grade							

* Includes straps, hooks, and all mounting hardware.

MODEL 1000 & 2000 LOW-PROFILE TAILGATE SPREADERS



Fisher Engineering
50 Gordon Drive
Rockland, ME 04841-2139
www.fisherplows.com

A DIVISION OF FISHER, LLC

Copyright © 2018 Douglas Dynamics, LLC. All rights reserved. This material may not be reproduced or copied, in whole or in part, in any printed, mechanical, electronic, film, or other distribution and storage media, without the written consent of Fisher Engineering. Authorization to photocopy items for internal or personal use by Fisher Engineering outlets or spreader owner is granted.

Fisher Engineering reserves the right under its product improvement policy to change construction or design details and furnish equipment when so altered without reference to illustrations or specifications used. Fisher Engineering or the vehicle manufacturer may require or recommend optional equipment for spreaders. Do not exceed vehicle ratings with a spreader. Fisher Engineering offers a limited warranty for all spreaders and accessories. See separately printed page for this important information. The following are registered (®) or unregistered (™) trademarks of Douglas Dynamics, LLC: FISHER®.

Printed in U.S.A.