

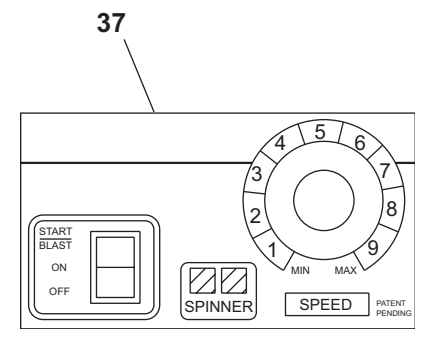
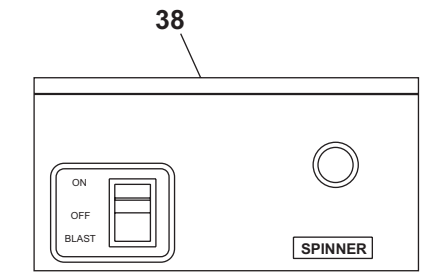
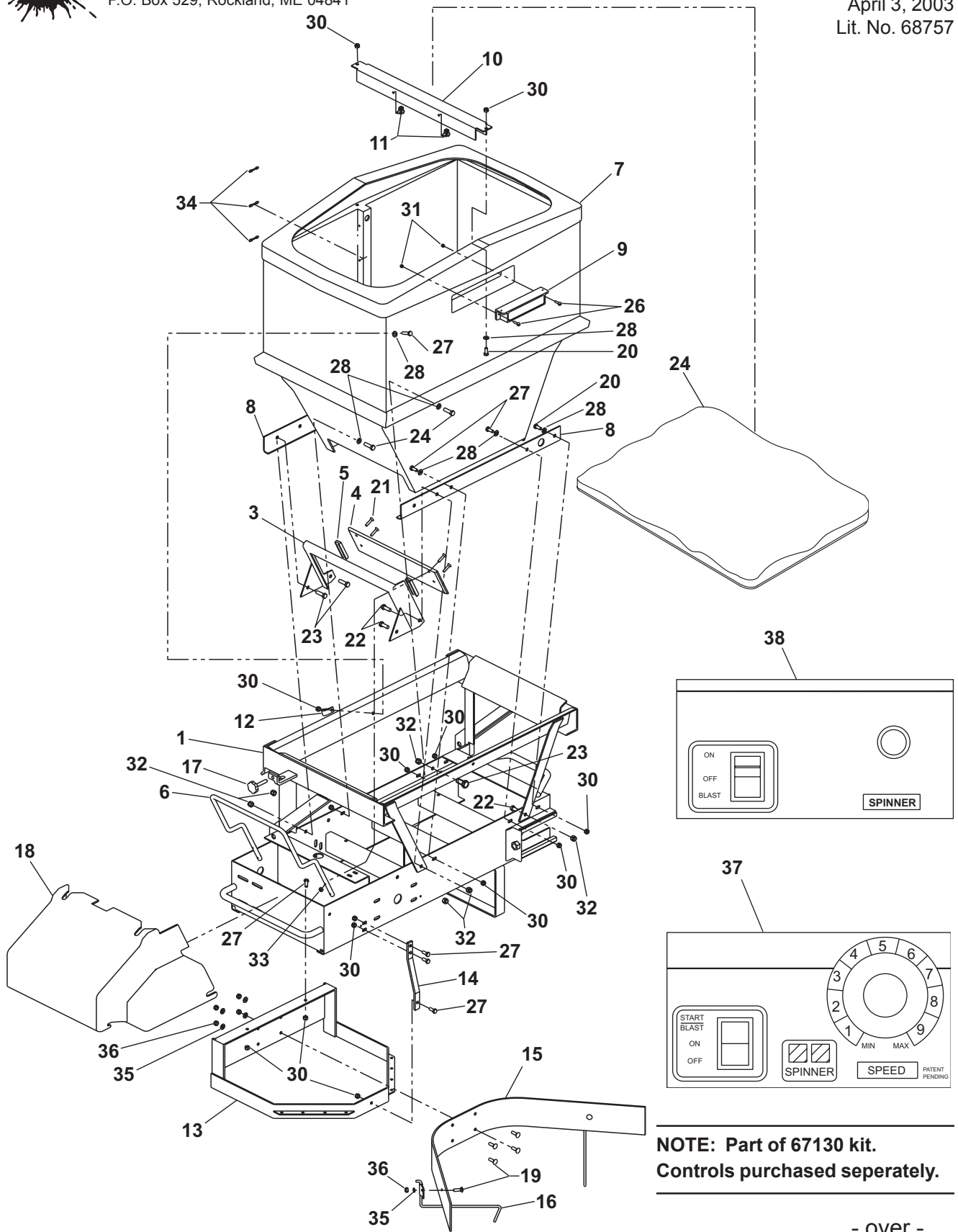


FISHER ENGINEERING

P.O. Box 529, Rockland, ME 04841

SPEED-CASTER™ 2 Tailgate Spreader Hopper Components Parts List

April 3, 2003
Lit. No. 68757



**NOTE: Part of 67130 kit.
Controls purchased separately.**

- over -

SPEED-CASTER™ 2 Tailgate Spreader Hopper Components Parts List

SPEED-CASTER 2 Hopper Components Parts List							
Item	Part	Qty	Description	Item	Part	Qty	Description
1	65724	1	Spreader Frame With Labels	20	90974	3	5/16"-18 x 3/4" Cap Screw
3	65737	1	Feedgate Frame	21	67188	4	1/4"-20 x 1-1/2" Socket Head Cap Screw
4	65739	1	Feedgate	22	91015	3	3/8"-16 x 1 Cap Screw
5	67086	2	Saddle	23	91005	3	3/8"-16 x 1-1/4" Cap Screw
6	65748	1	Handle	24	65779	1	Top Cover 23" x 26"
7	65614	1	Hopper – FE	26	90693	2	#6-32 x 3/4" Machine Screw
8	67115	2	Hopper Skirt	27	90975	11	5/16"-18 x 1" Cap Screw
9	9028	1	Center High Mounted Stoplight	28	90980	15	5/16" Plain Washer
10	65778	1	Wire Channel With Labels	30	90987	13	5/16"-18 Locknut
11	9564	2	3/8" Wire Clip - .250 Hole	31	91027	2	#6-32 Locknut
12	9593	1	Cable Clamp	32	90999	6	3/8"-16 Locknut
13	65725	1	Spinner Guard	33	67076	4	1/4"-20 Locknut
14	65775	1	Spinner guard Support	34	67160	3	Standoff 7/8"
15	9540	1	Deflector	35	90692	6	5/16 Lock Washer
16	67106	2	Adjustment Rod Assembly	36	90988	6	5/16-18 Nut
17	67125	1	3/8"-16 x 1-1/2 Thumb Screw	37	9027	1	PWM Control (Variable Speed)*
18	65729	1	Drive Cover	38	9390	1	On-Off Control*
19	90970	6	5/16"-18 x 1" Carriage Bolt				

NS = Not Shown

* = Purchased Separately

Copyright© 2003 Douglas Dynamics, L.L.C. All rights reserved. This material may not be reproduced or copied, in whole or in part, in any printed, mechanical, electronic, film or other distribution and storage media, without the written consent of Fisher Engineering. Authorization to photocopy items for internal or personal use by Fisher Engineering outlets and spreader owner is granted.

Fisher Engineering reserves the right under its product improvement policy to change construction or design details and furnish equipment when so altered without reference to illustrations or specifications used. Fisher Engineering and the vehicle manufacturer may require and/or recommend optional equipment for spreaders. Do not exceed vehicle ratings with a spreader. Fisher Engineering offers a limited warranty for all spreaders and accessories. See separately printed page for this important information. The following are registered® and unregistered™ trademarks of Douglas Dynamics, L.L.C.: FISHER® and SPEED-CASTER™2.

Printed in USA