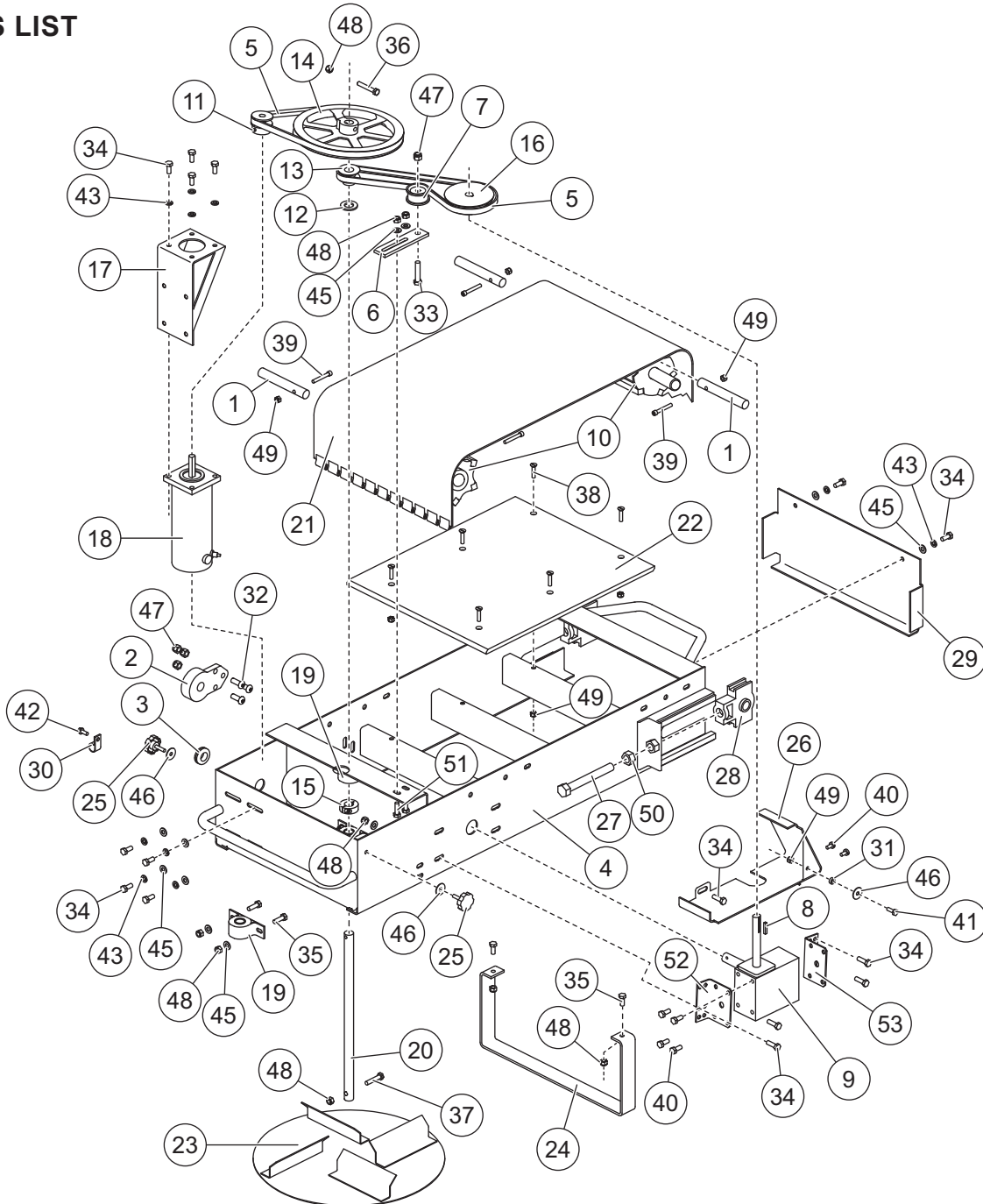




SPEED-CASTER™ 2 Tailgate Spreaders

Drive Components

PARTS LIST



This Parts List is for FISHER® SPEED-CASTER 2 tailgate spreaders
with serial numbers beginning with 202389 – 202649.

SPEED-CASTER™ 2 Drive Components							
Item	Part	Qty	Description	Item	Part	Qty	Description
1	65753	3	Stub Shaft – Conveyor Roller	29	67107	1	Conveyor Guard
2	65758	1	Hanger Bearing, 3/4 Bore	30	9593	3	Cable Clamp
3	67113	1	3/4 Rubber Grommet	31	67159	1	3/16 Spacer
4	65675	1	Conveyor Frame with Labels	32	67093	3	3/8-16 x 1-1/4 Button Cap Screw
5	65767	2	V-Belt 4L330 Molded Cog	33	67111	1	3/8-16 x 1-3/4 Hex Cap Screw
6	67060	1	Belt Tensioner Bracket	34	93162	15	5/16-18 x 3/4 Hex Cap Screw SS
7	65509	1	2.0" Idler Pulley	35	90551	4	5/16-18 x 1 Hex Cap Screw SS
8	65195	1	3/16 Machine Key	36	90978	1	5/16-18 x 2 Hex Cap Screw
9	65762	1	Gear Box	37	90977	1	5/16-18 x 1-1/2 Hex Cap Screw
10	68605	2	Conveyor Roller	38	67074	6	1/4-20 x 1 Machine Screw
11	69696	1	Pulley, 1-3/4 x 1/2 Bore	39	67075	4	1/4-20 x 1-3/4 Socket Cap Screw
12	67114	1	0.75 ID x 1.38 OD Thrust Washer	40	99249	8	M8 x 1.25 x 16 Hex Cap Screw SS
13	65766	1	Pulley, 2 x 3/4 Bore	41	68067	1	1/4-20 x 1 Hex Cap Screw
14	65406	1	Pulley, 9 x 3/4 Bore	42	93148	3	1/4 x 3/4 Self-Drilling Tapping Screw
15	65777	1	Locking Collar, 0.75 Bore	43	91263	10	5/16 External Tooth Lock Washer SS
16	65765	1	Pulley, 4-1/2 x 5/8 Bore	45	90980	16	5/16 Plain Washer
17	65731	1	Motor Mount	46	67155	3	Flat Washer SS
18	9524	1	Motor 12V DC	47	91333	4	3/8-16 Hex Locknut GB
19	65776	2	Pillow Block Bearing, 3/4 Bore	48	91350	14	5/16-18 Hex Locknut GB SS
20	65723	1	Spinner Shaft	49	67076	13	1/4-20 Hex Locknut GB
21	65764	1	Conveyor Belt	50	91416	2	5/8-11 Hex Nut G5
22	65763	1	Floor	51	90556	2	5/16-18 x 1 Carriage Bolt
23	67090	1	Spinner	52	95692	2	Gear Box Mounting Bracket – Universal
24	67097	1	Stand	ns	63634	1	Spreader Harness, 4-Pin
25	67158	2	1/4-20 x 1 Thumb Screw	ns	63633	1	Vehicle Harness, 4-Pin
26	68635	1	Gear Box Cover	ns	65241	1	Motor Brush Kit
27	65608	2	5/8-11 x 6 Take-Up Bolt	ns	65514	1	Parts Bag
28	65759	2	Take-Up Bearing 3/4 Bore				
65514 Parts Bag							
ns	61536	12	Cable Tie – Long	ns	61548K	1	Plug Cover Kit (vehicle harness)
ns	8329K	1	Dielectric Grease Tube				
ns = not shown		SS = Stainless Steel		M = Metric		G = Grade	

Copyright © 2019 Douglas Dynamics, LLC. All rights reserved. This material may not be reproduced or copied, in whole or in part, in any printed, mechanical, electronic, film, or other distribution and storage media, without the written consent of Fisher Engineering. Authorization to photocopy items for internal or personal use by Fisher Engineering outlets or spreader owner is granted.

Fisher Engineering reserves the right under its product improvement policy to change construction or design details and furnish equipment when so altered without reference to illustrations or specifications used. Fisher Engineering or the vehicle manufacturer may require or recommend optional equipment for spreaders. Do not exceed vehicle ratings with a spreader. Fisher Engineering offers a limited warranty for all spreaders and accessories. See separately printed page for this important information. The following are registered (®) or unregistered (™) trademarks of Douglas Dynamics, LLC: FISHER®, SPEED-CASTER™ 2.

Printed in U.S.A.