



Fisher Engineering

50 Gordon Drive, Rockland, Maine 04841-2139 • www.fisherplows.com

December 15, 2007
Lit. No. 69273, Rev. 00

Minute² SYSTEM

MOUNT KIT

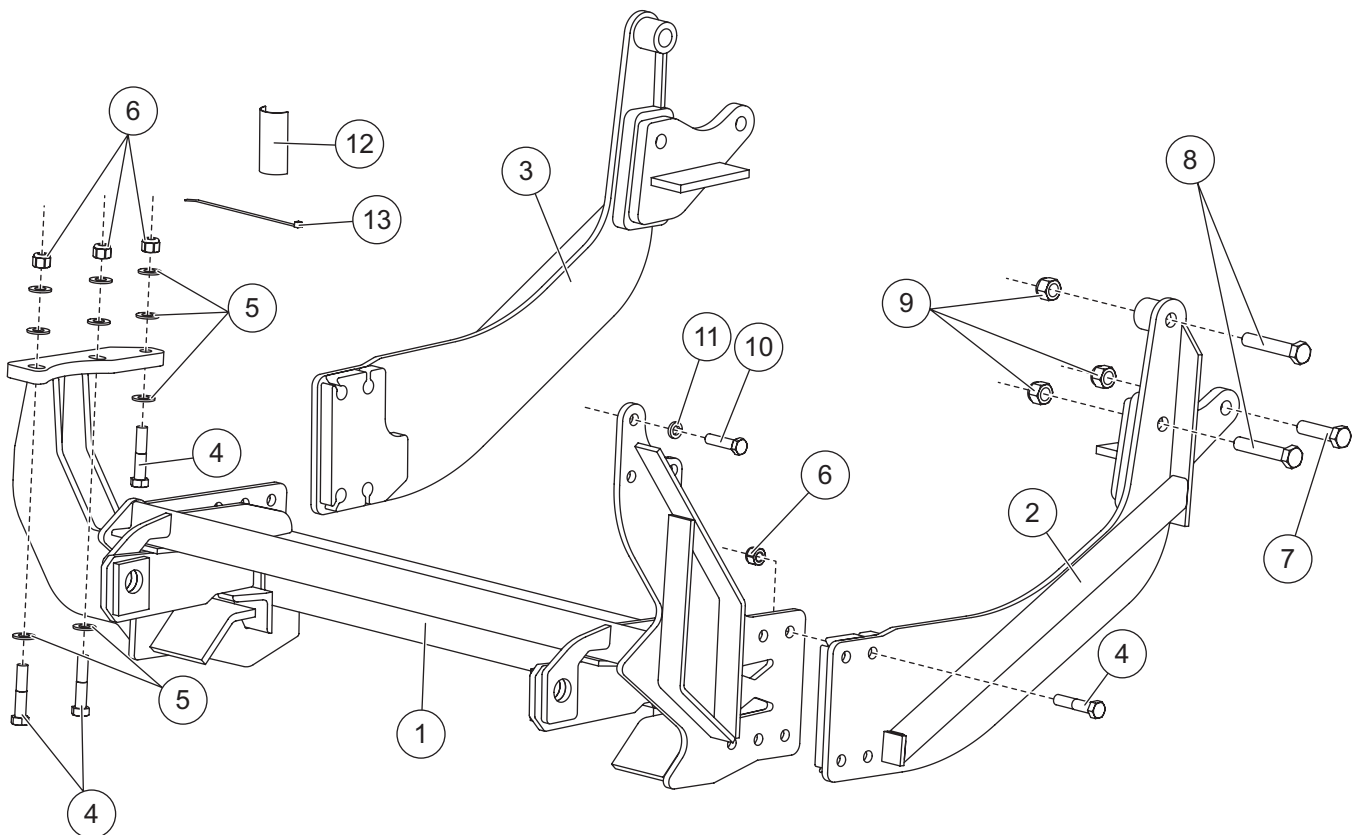
Ford F-650 2WD

2008 - ___

International 4000 Series 2WD

2008 - ___

Parts List



7187 Mount Kit							
Item	Part	Qty	Description	Item	Part	Qty	Description
1	69261	1	Pushplate	3	28482	1	Thrust Arm, PS
2	28481	1	Thrust Arm, DS	ns	69271	1	Bolt Bag – 7187
69271 Bolt Bag – 7187							
4	27526	11	1/2-13 x 2-1/2 Hex Cap Screw G8	10	98013	3	M12 x 1.75 x 50 Hex Cap Screw G10.9
5	90572	24	1/2 Hardened Flat Washer				
6	91335	11	1/2-13 Hex Locknut GB	11	95174	3	M12 Spring Lock Washer
7	90131	2	5/8-11 x 2-1/2 Hex Cap Screw G8	12	8992	6	Anti-Chafing Material
8	90262	4	5/8-11 x 3-1/2 Hex Cap Screw G8	13	3666	12	Hose Tie
9	91337	6	5/8 Hex Locknut GB				
ns = not shown				G = Grade			

Copyright © 2007 Douglas Dynamics, L.L.C. All rights reserved. This material may not be reproduced or copied, in whole or in part, in any printed, mechanical, electronic, film or other distribution and storage media, without the written consent of Fisher Engineering. Authorization to photocopy items for internal or personal use by Fisher Engineering outlets or snowplow owner is granted.

Fisher Engineering reserves the right under its product improvement policy to change construction or design details and furnish equipment when so altered without reference to illustrations or specifications used. Fisher Engineering or the vehicle manufacturer may require or recommend optional equipment for snow removal. Do not exceed vehicle ratings with a snowplow. Fisher Engineering offers a limited warranty for all snowplows and accessories. See separately printed page for this important information. The following are registered (®) trademarks of Douglas Dynamics, L.L.C.: FISHER®, Minute Mount® 2.

Printed in U.S.A.