

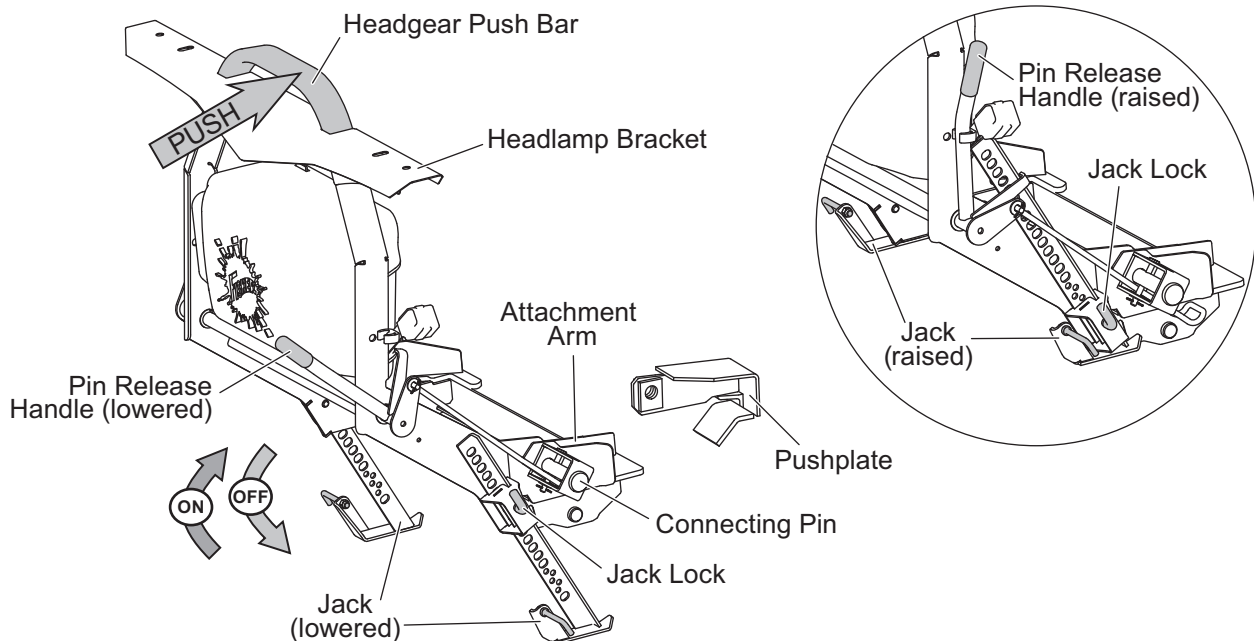
**Supplement to the Minute Mount® 2 Owner's Manual (Lit. No. 49514, Rev. 01). Please refer to that literature for other instructions and important safety information. These instructions supersede the instructions for HT Series snowplows in the Owner's Manual.**

## Attaching Steps:

1. Pull pin release handle and push down to pull out connecting pins.
2. Drive vehicle slowly to engage pushplates into attachment arms.
3. Attach all electrical connectors. With the ignition in the "ON" position, turn ON the control and place in LOWER/FLOAT mode.
4. Stand in front of blade. Fully raise pin release handle to release connecting pins.
5. Using headgear push bar, push headgear toward vehicle to allow connecting pins to fully engage pushplates.
6. Pull and hold jack lock out. Use jack handle to raise jack fully and release jack lock. Repeat on opposite side.

## Detaching Steps:

1. Park the vehicle on a smooth, level, hard surface, such as concrete. Lower the blade to the ground.
2. Pull and hold jack lock out. Lower jack until it contacts the ground. Release jack lock. Verify that jack is locked by trying to lift jack. Repeat on opposite side.
3. Stand in front of blade. While pushing headgear push bar toward the vehicle with left hand, pull pin release handle down to disengage connecting pins. Make sure connecting bins are fully retracted.
4. Detach all electrical connectors.



**This page intentionally left blank.**