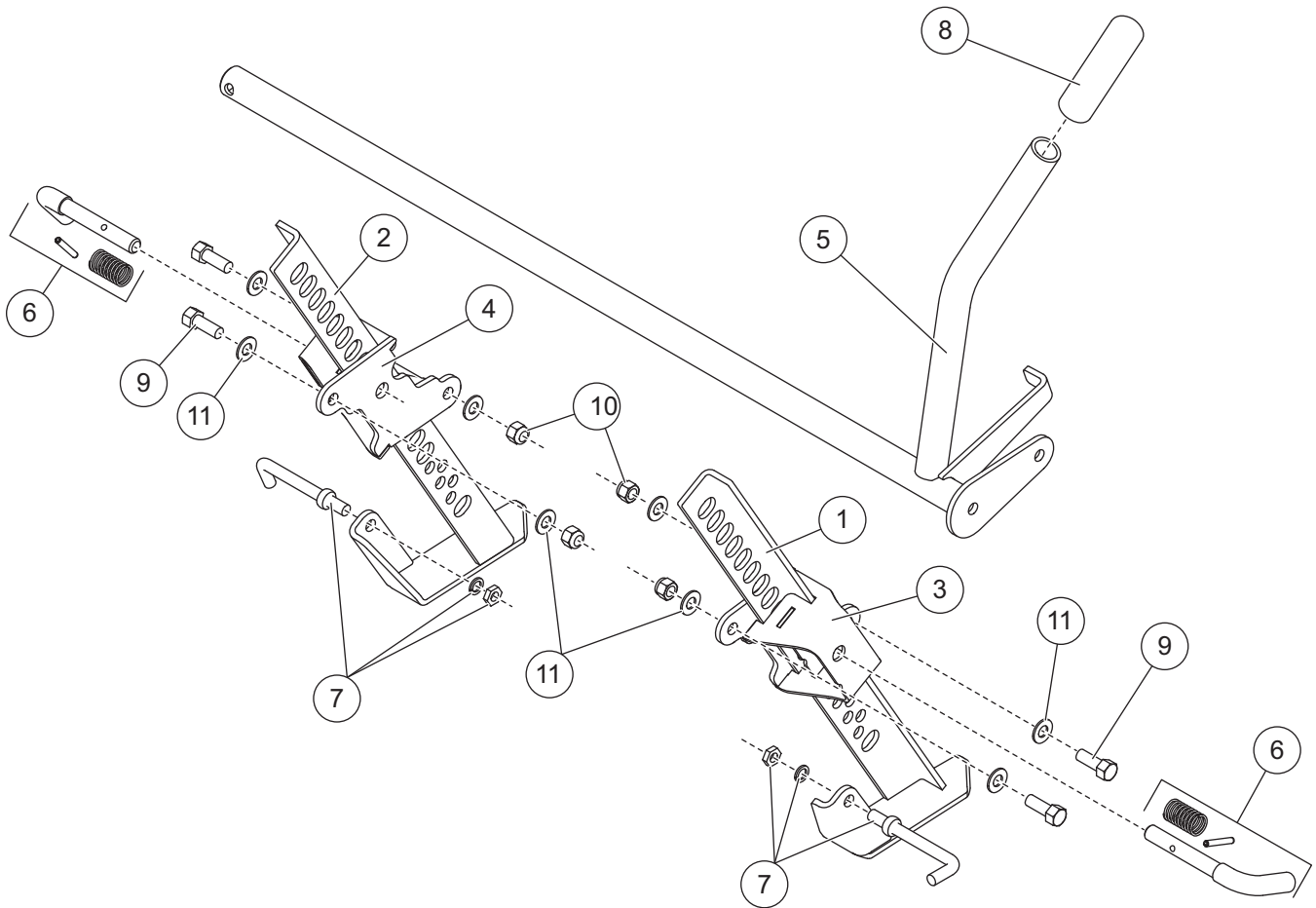




Dual Jack Leg Kit

HT Series™ Snowplows

PARTS LIST



69831 Dual Jack Leg Kit							
Item	Part	Qty	Description	Item	Part	Qty	Description
1	69842	1	Jack Leg – DS	7	27164K	1	Handle Kit
2	69843	1	Jack Leg – PS	8	27535	1	Handle Cover Kit
3	69840	1	Guide Plate – DS	ns	69864	1	Steel Drill Template
4	69841	1	Guide Plate – PS	ns	69799	1	Label – Attach/Detach HT Series
5	69838	1	Link Arm Assembly Handle	ns	69801	1	Bolt Bag
6	69618	2	Stand Pin Release Kit				
69801 Bolt Bag							
9		4	3/8-16 x 1 Hex Cap Screw G5	11		8	3/8 Flat Washer
10		4	3/8-16 Locknut GB	ns		2	1/8 x 1 Cotter Pin
ns = not shown				G = Grade			

⚠ CAUTION

Read this document before installing the Dual Jack Legs.

⚠ CAUTION

Use standard methods and practices when attaching snowplow and installing accessories, including proper personal protective safety equipment.

REQUIRED TOOLS

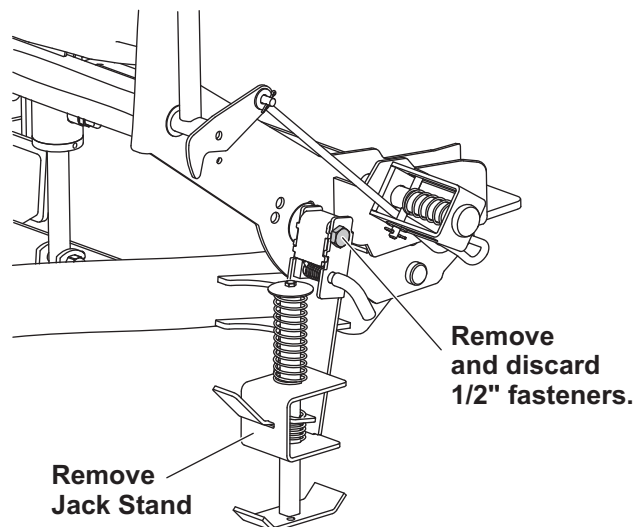
- 9/16" and 3/4" sockets and ratchet
- 9/16" and 3/4" wrenches
- Pliers
- Marking tool/center punch
- Hammer
- Clamp
- 9/16" and 13/32" drill bits

INSTALLATION INSTRUCTIONS

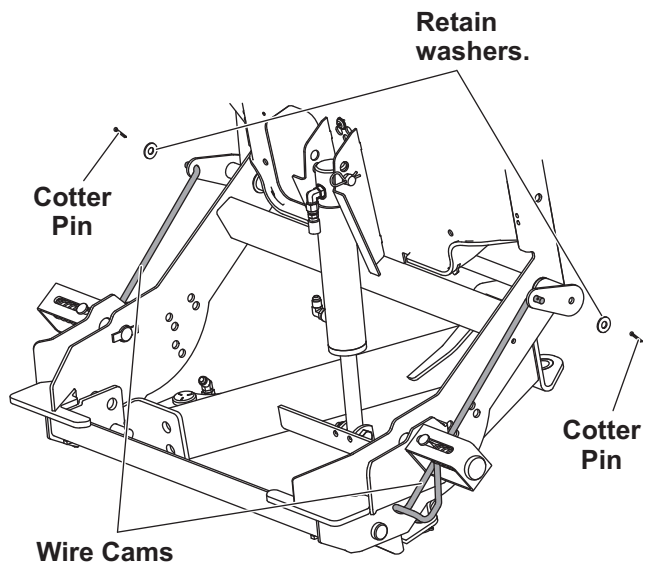
These instructions are designed to help you install the dual jack leg kit on your HT Series™ headgear.

1. Park the vehicle on a smooth, level, hard surface, such as concrete. Lower the blade to the ground, and turn the control OFF. Lower the jack stand and disconnect the snowplow blade assembly from the vehicle.
2. Raise the back end of the blade assembly and support it in a level position using a block under the main A-frame tubes.

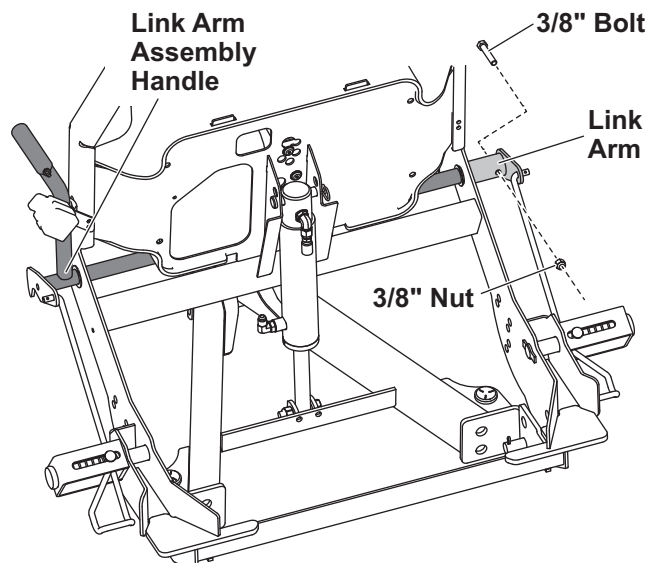
3. Remove and discard the 1/2" nut and bolt connecting the current jack stand.



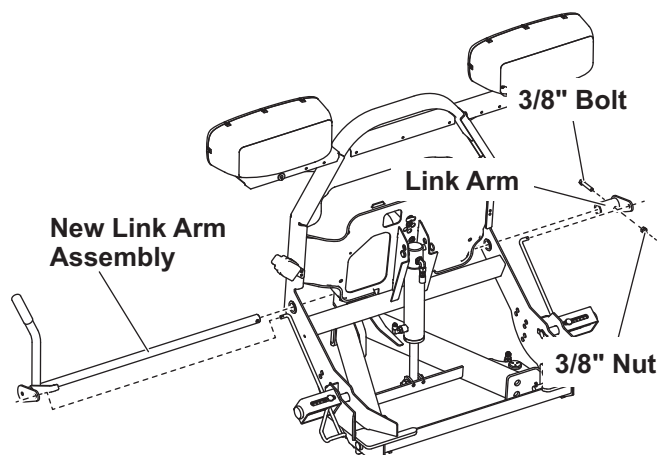
4. Remove and discard the cotter pins attaching the wire cams to the link arm and handle. Retain the washers for reinstallation.



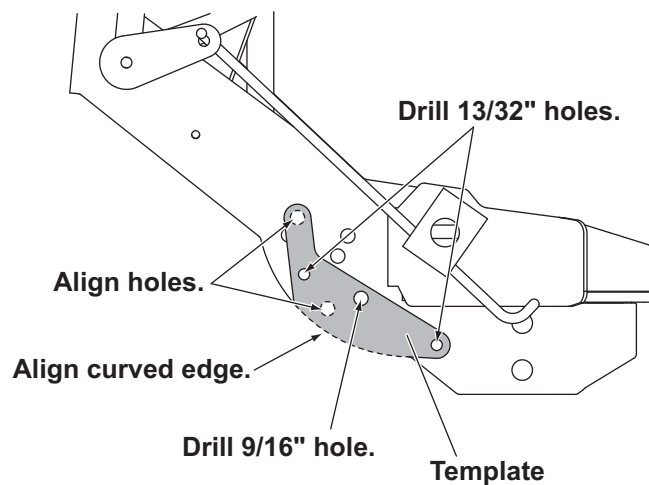
5. Remove and retain the 3/8" fasteners connecting the link arm and link arm assembly handle. Retain the fasteners for reinstallation.



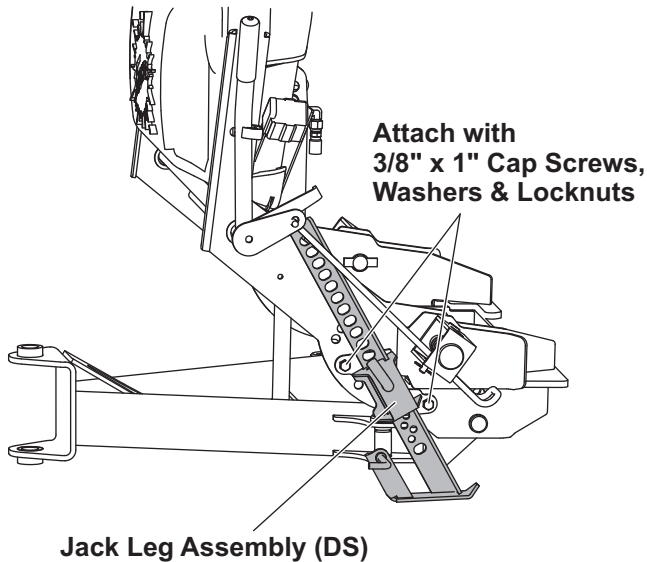
6. Remove and retain the link arm. Remove the link arm assembly handle.
7. Reinstall the link arm with the supplied new link arm assembly handle and attach using the retained 3/8" nut and bolt. Tighten to 19 ft-lb.



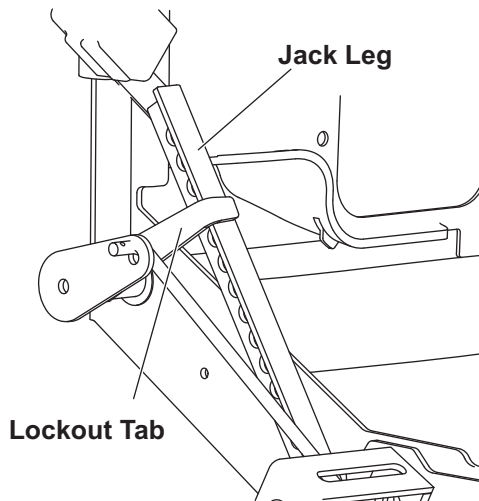
8. Reconnect the wire cams to the link arm and handle using supplied 1/8" x 1" cotter pins and the retained washers from Step 4.
9. On the driver's side of the headgear, align the supplied steel drill template with existing holes in the headgear as shown. Clamp the template to the headgear and mark the three drill hole locations. Remove the template and drill one 9/16" and two 13/32" holes as marked.



- Fasten the driver-side jack leg and plate assembly to the headgear using two 3/8" x 1" cap screws, four 3/8" flat washers and two 3/8" locknuts.



- Raise the jack leg, making sure that it lies below the lockout tab, as shown. Tighten fasteners to 19 ft-lb.



- Repeat Steps 9 through 11 on the passenger's side to drill holes and attach the passenger-side jack leg assembly.
- Affix the supplied HT Series™ Attach/Detach label directly over the current label on the back of the blade. If the blade has no current label, place the HT Series Attach/Detach Label on the back of the blade in an area visible during the attach and detach procedure. Thoroughly clean and dry the existing label or blade surface area before applying the supplied label.
- Lower the dual jack legs according to the instructions on the new HT Series Attach/Detach label ("Detach" instructions Step 2). Remove the support block from under the A-frame tubes.

Copyright © 2013 Douglas Dynamics, L.L.C. All rights reserved. This material may not be reproduced or copied, in whole or in part, in any printed, mechanical, electronic, film or other distribution and storage media, without the written consent of Fisher Engineering. Authorization to photocopy items for internal or personal use by Fisher Engineering outlets or snowplow owner is granted.

Fisher Engineering reserves the right under its product improvement policy to change construction or design details and furnish equipment when so altered without reference to illustrations or specifications used. Fisher Engineering or the vehicle manufacturer may require or recommend optional equipment for snow removal. Do not exceed vehicle ratings with a snowplow. Fisher Engineering offers a limited warranty for all snowplows and accessories. See separately printed page for this important information. The following are registered (®) or unregistered (™) trademarks of Douglas Dynamics, L.L.C.: FISHER®, HT Series™.

Printed in U.S.A.