

HYDRAULIC UNIT SERVICE INSTRUCTIONS

General

1. **Before any service**, loosen fill plug to relieve reservoir pressure.
2. Lubricate all O-rings with clean hydraulic fluid except where noted otherwise.
3. DS = Driver's Side
PS = Passenger's Side

Replace O-ring whenever disassembled. Apply light film of white lithium grease for reassembly. Clean manifold groove and reservoir surface.

Pump Service

5/16-18 x 2-1/2 cap screw (5) – 150–160 in-lb

Remove motor. Fit seal protector onto end of pump shaft and install lubricated shaft through seal.**

Re-use existing alignment ring. Install new O-ring into pump counter bore.

Inspect seal and replace if damaged.

C – Pump Relief Valve

Blade Drop-Speed Adjustment.

Pressure Test Port

Fit pin into manifold adjustment hole.

Breather must be installed before operating snowplow.

10-24 x 5/16 washer-head screw (4) – 30–35 in-lb

Before any service, loosen fill plug to relieve reservoir pressure.

1/2-20 Jam nut (8) 40–60 in-lb

Clean magnet.

Snap filter onto pump. Align to fit manifold pocket.

A DS Plowing Relief Valves

B PS Plowing Relief Valves

Check Valve (3) 19–21 ft-lb

Fit over pump shaft tang.

Motor Cap Screw (2) – 30–40 in-lb

Relief Valve Service

Relief Valves A, B, and C use 1/4" ball, and stem is unmarked.

Apply one drop low-strength threadlocker to threads.

Do not mix or interchange parts.

Adjustment: Screw stem in until spring is fully compressed and back out number of turns in chart below.

Relief Valve	Approximate # of Turns Out (CCW)	Pressure (psi)* from Fully Seated
A (Qty 2)	2200	2
B (Qty 2)	2400	1-3/4
C (Qty 1)	2250*	2-1/4 – 2-1/2

* Attach 3000 psi gauge to pressure test port above valve. Read pump relief pressure when holding the right retract button. Adjust pump relief valve to obtain 2250 ± 50 psi.

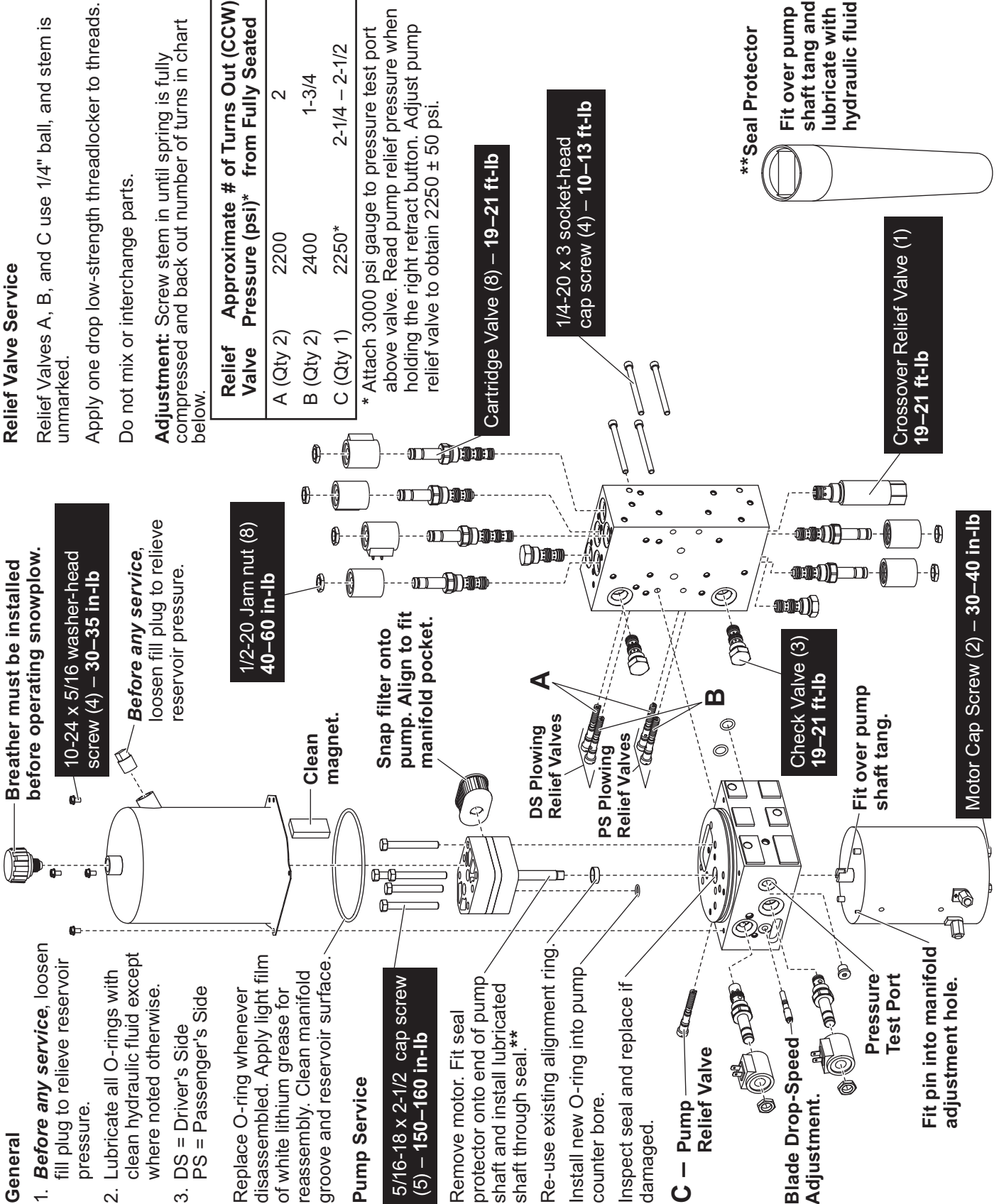
Cartridge Valve (8) – 19–21 ft-lb

1/4-20 x 3 socket-head cap screw (4) – 10–13 ft-lb

**Seal Protector

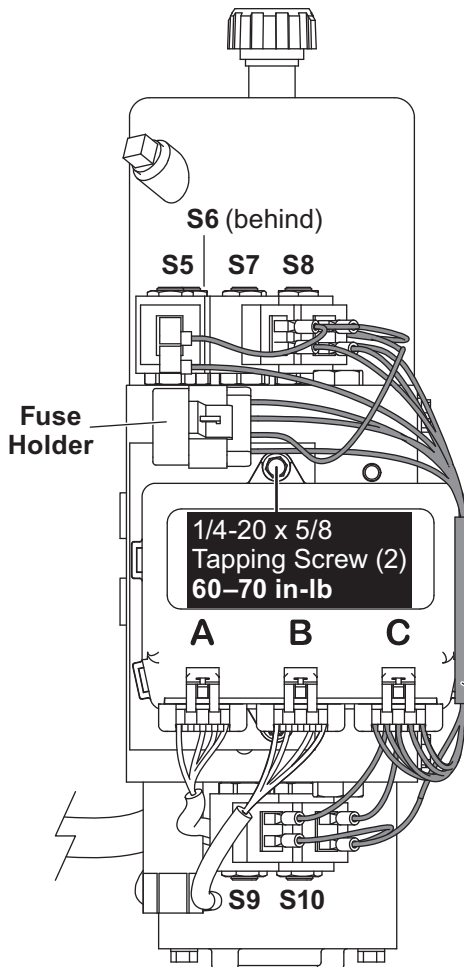
Fit over pump shaft tang and lubricate with hydraulic fluid.

Crossover Relief Valve (1) 19–21 ft-lb



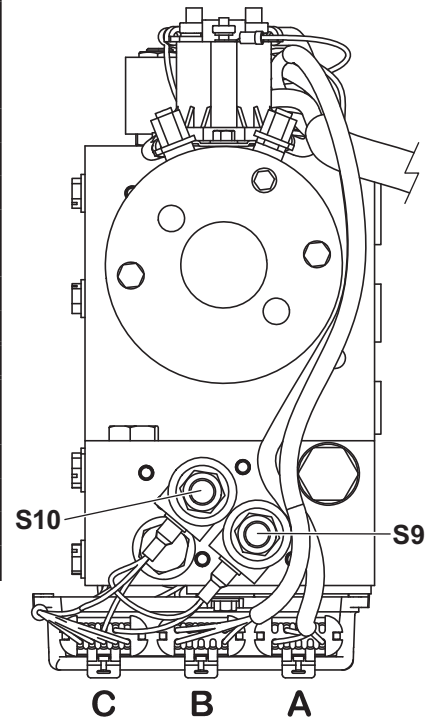
HYDRAULIC UNIT SERVICE INSTRUCTIONS

Electrical Assembly



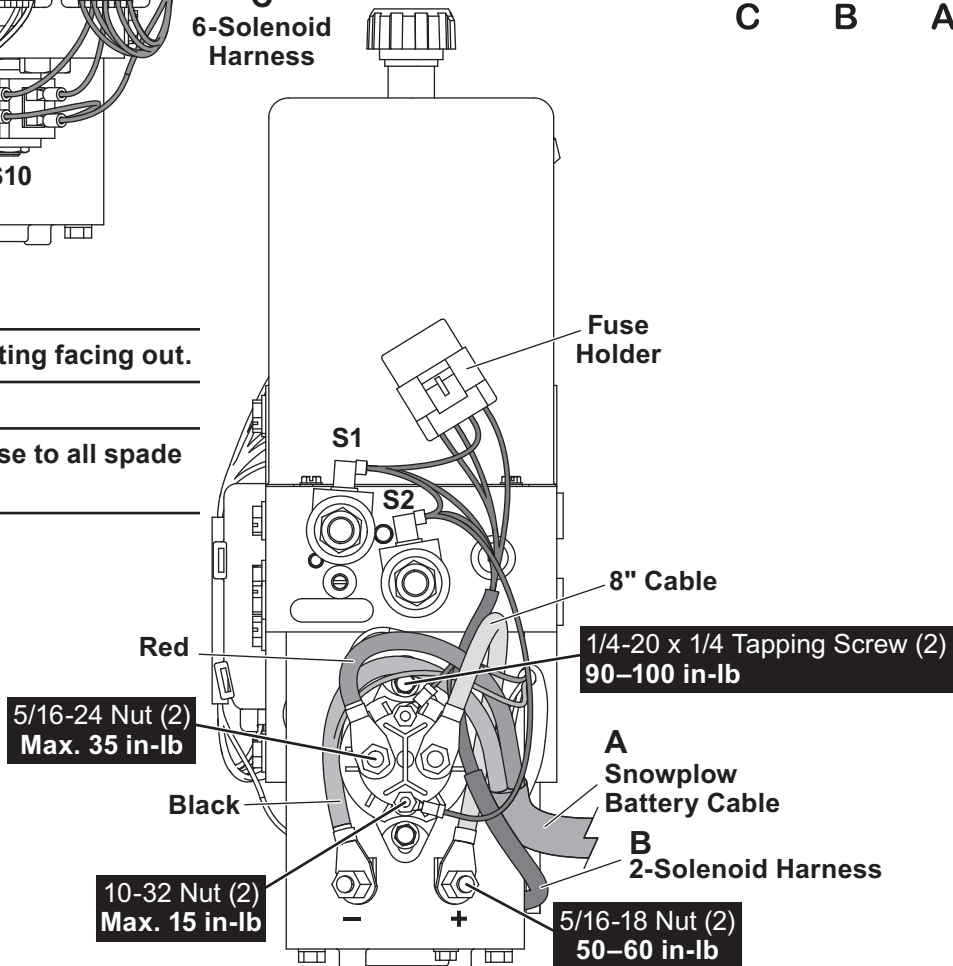
Solenoid Valve	Type	Wire Colors
S1	SVCV08-20	White/Red
S2	SV08-2004	Green/Red
S5	SV08-45	Black/Red
S6	SV08-41	Yellow/Red
S7	SV08-30	Brown/Red
S8	SV08-30	Gray/Red
S9	SV08-30	White/Red
S10	SV08-30	Blue/Red

Torque Specifications	
All Solenoid Valves	19-21 ft-lb
All Solenoid Coil Nuts	4-5 ft-lb
Motor Relay Terminals	
Small	10-15 in-lb
Large	25-35 in-lb
Motor Terminals	50-60 in-lb



Install coils with printing facing out.

Apply dielectric grease to all spade and ring terminals.



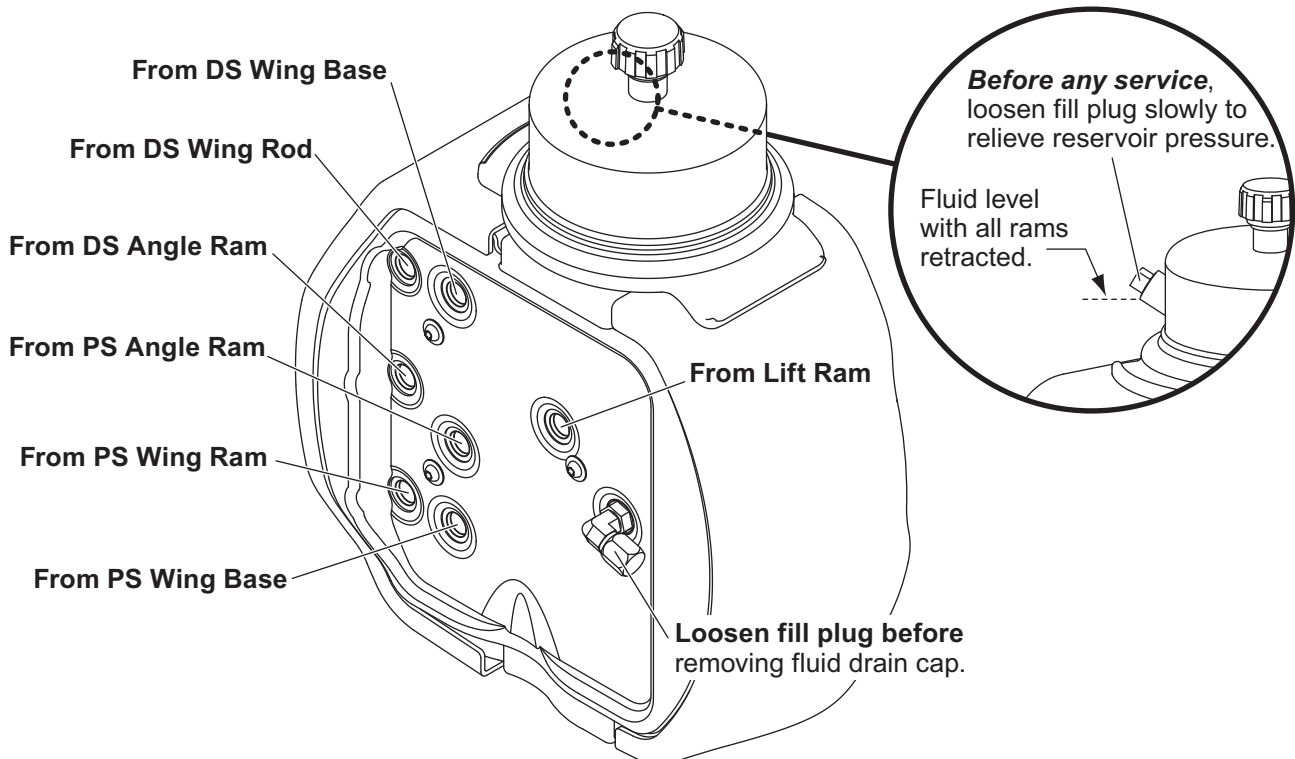
HYDRAULIC UNIT SERVICE INSTRUCTIONS

Torque Chart

8-Valve Hydraulic Unit Torque Chart		
Location	Fastener Size	Torque
Pump Cap Screws	5/16-18 x 2-1/2	150–160 in-lb
Motor Terminals (+ and –)	5/16-18 Nut	50–60 in-lb
Motor to Manifold Cap Screws	1/4-20 x 6-1/4	55–65 in-lb
Reservoir Screws	#10-24 x 5/16	30–35 in-lb
Solenoid Valves	7/8 Hex Head	19–21 ft-lb
Coil Nuts	3/4 Hex-Head Jam Nut	40–60 in-lb
Cover Screws	1/4-20 x 1/2 Shoulder Screw	60–80 in-lb
SAE O-Ring Plugs	1/8 or 5/32 Internal Hex	55–65 in-lb
Hydraulic Unit Mount Bolts	3/8-16 x 1	25–33 ft-lb
Check Valves	7/8 Hex Head	19–21 ft-lb
Secondary to Primary Manifolds	1/4-20 x 3	10–13 ft-lb
Motor Relay Small Terminals	10-32 Nut	15 in-lb max.
Motor Relay Large Terminals	5/16-24 Nut	35 in-lb max.
Motor Relay Mount Screws	1/4-20 x 1/4	75–85 in-lb
Plow Module Mount Screws	1/4-20 x 5/8	60–70 in-lb

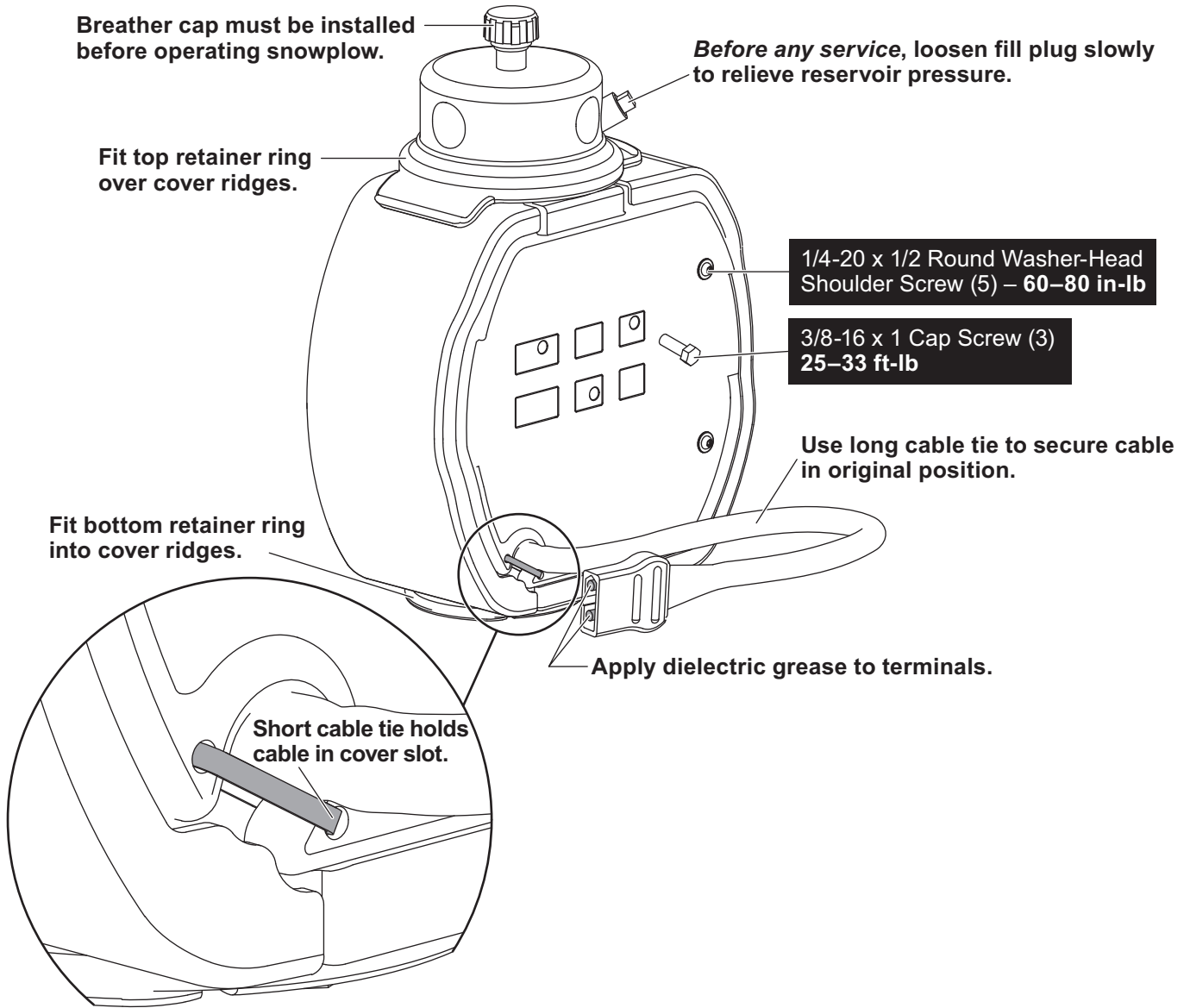
Hydraulic Fluid (Drain and Fill), Fittings, and Hoses

NOTE: Before removing hoses and fittings, carefully note hose routing and positions of any protective hose wraps for proper reassembly. For complete hydraulic fluid level/change or hose/fitting instructions, see the Maintenance section of your Owner's Manual.



HYDRAULIC UNIT SERVICE INSTRUCTIONS

Cover and Final Assembly



The company reserves the right under its product improvement policy to change construction or design details and furnish equipment when so altered without reference to illustrations or specifications used. This equipment manufacturer or the vehicle manufacturer may require or recommend optional equipment for snow removal. Do not exceed vehicle ratings with a snowplow. The company offers a limited warranty for all snowplows and accessories. See separately printed page for this important information.

Printed in U.S.A.