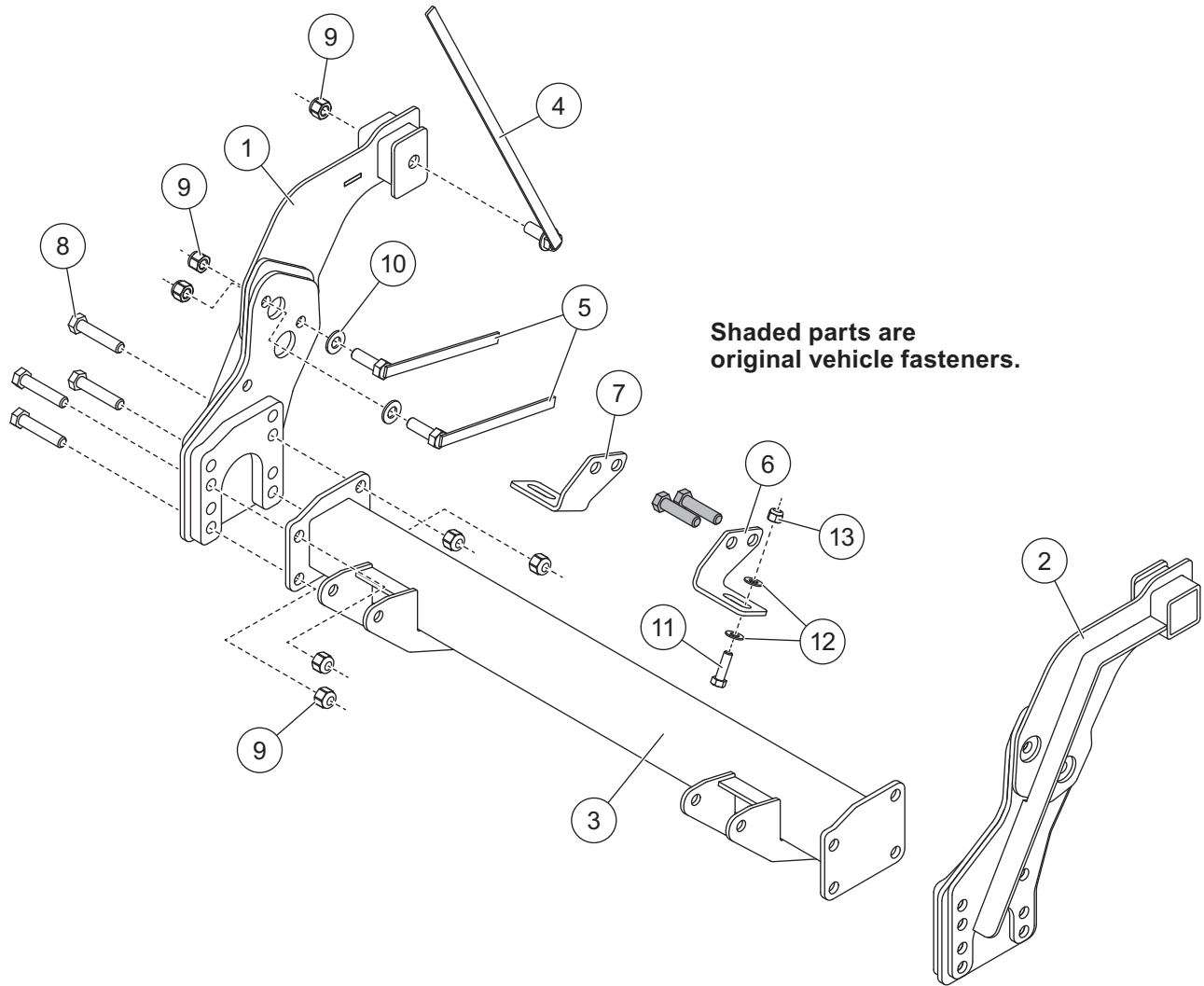


PARTS LIST



32113 Mount Kit						
Item	Part	Qty	Description	Item	Part	Qty Description
1	72781	1	Mount Plate – PS	5	21590	4 1/2-13 x 1-1/2 Hex Cap Screw G5 w/Handle, 7"
2	72780	1	Mount Plate – DS	6	72940	1 Splash Shield Bracket – DS
3	77362	1	Mount Beam	7	72941	1 Splash Shield Bracket – PS
4	63330	2	1/2-13 x 1-1/4 Flanged Hex Cap Screw G8 w/Handle, 18"	ns	72783	1 Bolt Bag
72783 Bolt Bag						
8		8	1/2-13 x 2-1/2 Hex Cap Screw G8	11		2 3/8-16 x 1-1/4 Hex Cap Screw G5
9		14	1/2-13 Hex Locknut GB	12		4 3/8 Flat Washer Type A Narrow
10		4	1/2 Hardened Flat Washer	13		2 3/8-16 Hex Locknut GB
			ns = not shown			
				G = Grade		

Copyright © 2019 Douglas Dynamics, LLC. All rights reserved. This material may not be reproduced or copied, in whole or in part, in any printed, mechanical, electronic, film, or other distribution and storage media, without the written consent of the company. Authorization to photocopy items for internal or personal use by the company's outlets or snowplow owner is granted.

The company reserves the right under its product improvement policy to change construction or design details and furnish equipment when so altered without reference to illustrations or specifications used. This equipment manufacturer or the vehicle manufacturer may require or recommend optional equipment for snow removal. Do not exceed vehicle ratings with a snowplow. The company offers a limited warranty for all snowplows and accessories. See separately printed page for this important information.

Printed in U.S.A.
