



Fisher Engineering

77600

50 Gordon Drive, Rockland, Maine 04841-2139 • www.fisherplows.com

October 15, 2021  
Lit. No. 72873, Rev. 02

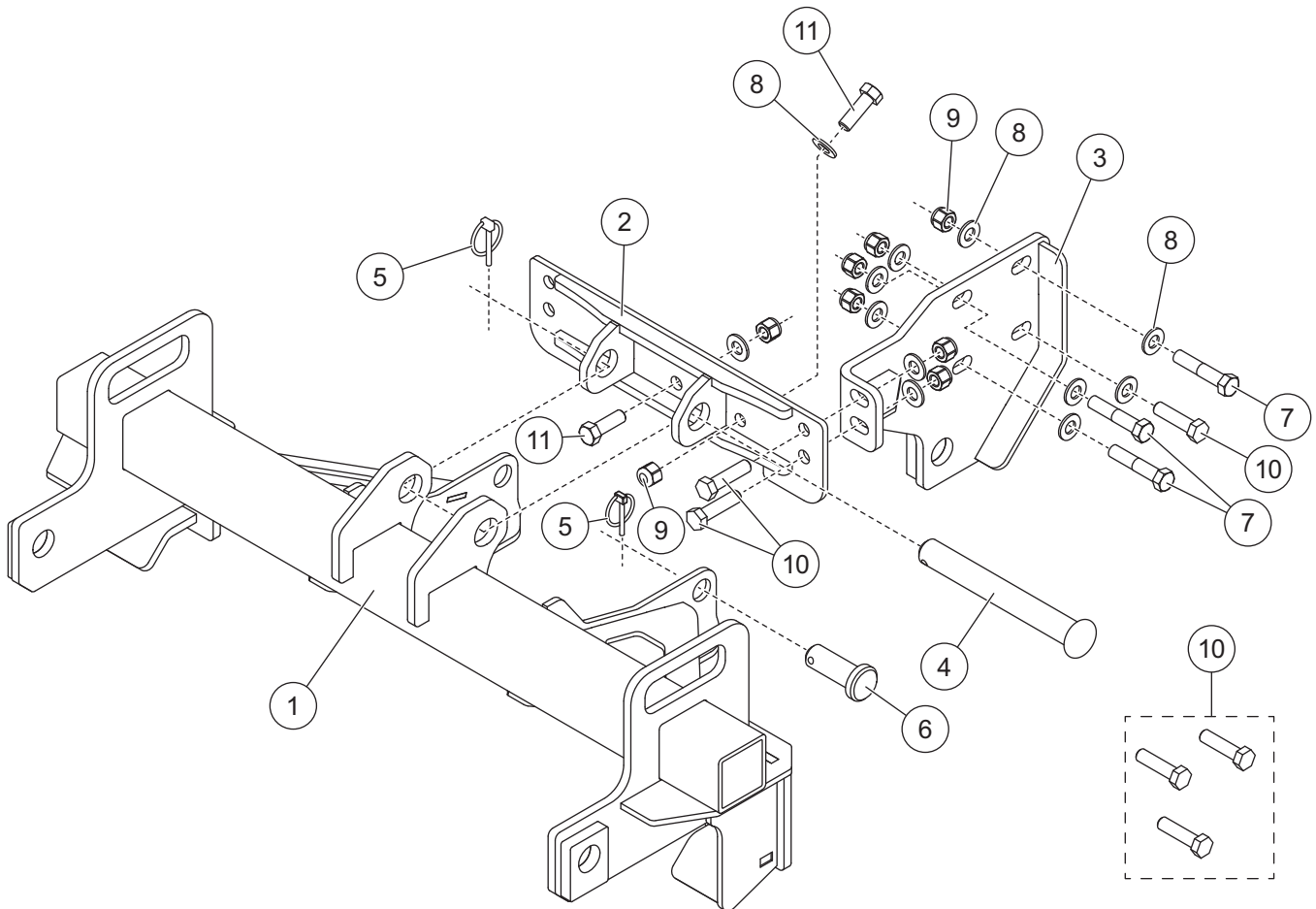
# Minute<sup>2</sup> SYSTEM

## MOUNT KIT

John Deere Tractor 3XXXR Series

2014-\_\_

### Parts List



\* Not used for all installations. Refer to  
Installation Instructions for details.

# 77600

77600 Mount Kit							
Item	Part	Qty	Description	Item	Part	Qty	Description
1	72865	1	Push Beam	ns	72168	1	Vehicle Cable Assembly
2	72860	1	Front Mount Assembly	ns	74077	1	Jumper Connector, 4-Position
3	72861	1	Thrust Arm, Left Side	ns	28587	1	Vehicle Control Harness
ns	72862	1	Thrust Arm, Right Side	ns	61548K	1	Plug Cover Kit
4	27979	1	1 x 8 Clevis Pin	ns	90730	1	Fuse Kit, 200A
5	93042	3	3/16 Linchpin	ns		12	Cable Tie
6	27227	2	1 x 2-3/4 Clevis Pin	ns		1	Heat Shrink Tubing
ns	72870	1	Bolt Bag	ns		1	Splice Package
ns	77506	1	Label – Caution, Tractor RMV Loader				
72870 Bolt Bag							
		6	1/2-13 x 2-1/2 Hex Cap Screw G5	10*		12	1/2-13 x 2 Hex Cap Screw G5
		23	1/2 Hardened Flat Washer Type 1	11		3	1/2-13 x 1-1/2 Hex Cap Screw G5
		15	1/2-13 Hex Locknut GB				
ns = not shown				G = Grade			

\* Not used for all installations. Refer to Installation Instructions for details.

Copyright © 2021 Douglas Dynamics, LLC. All rights reserved. This material may not be reproduced or copied, in whole or in part, in any printed, mechanical, electronic, film, or other distribution and storage media, without the written consent of Fisher Engineering. Authorization to photocopy items for internal or personal use by Fisher Engineering outlets or snowplow owner is granted.

Fisher Engineering reserves the right under its product improvement policy to change construction or design details and furnish equipment when so altered without reference to illustrations or specifications used. Fisher Engineering or the vehicle manufacturer may require or recommend optional equipment for snow removal. Do not exceed vehicle ratings with a snowplow. Fisher Engineering offers a limited warranty for all snowplows and accessories. See separately printed page for this important information. The following are registered (®) trademarks of Douglas Dynamics, LLC: FISHER®, Minute Mount® 2.

Printed in U.S.A.