



**Fisher Engineering**

50 Gordon Drive, Rockland, Maine 04841-2139 • www.fisherplows.com

**85100**  
**85150**

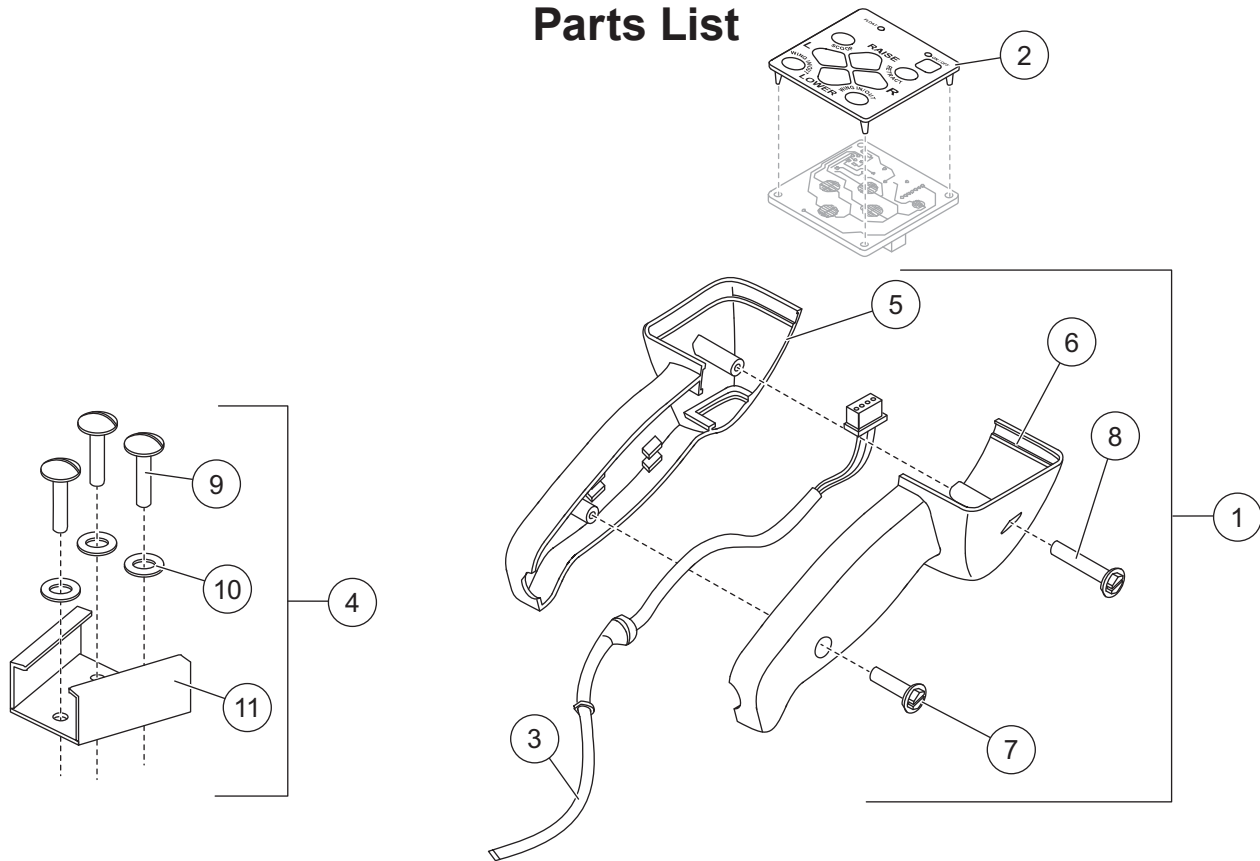
February 1, 2020  
Lit. No. 72987, Rev. 00

**FLEETFLEX**  
ELECTRICAL SYSTEM

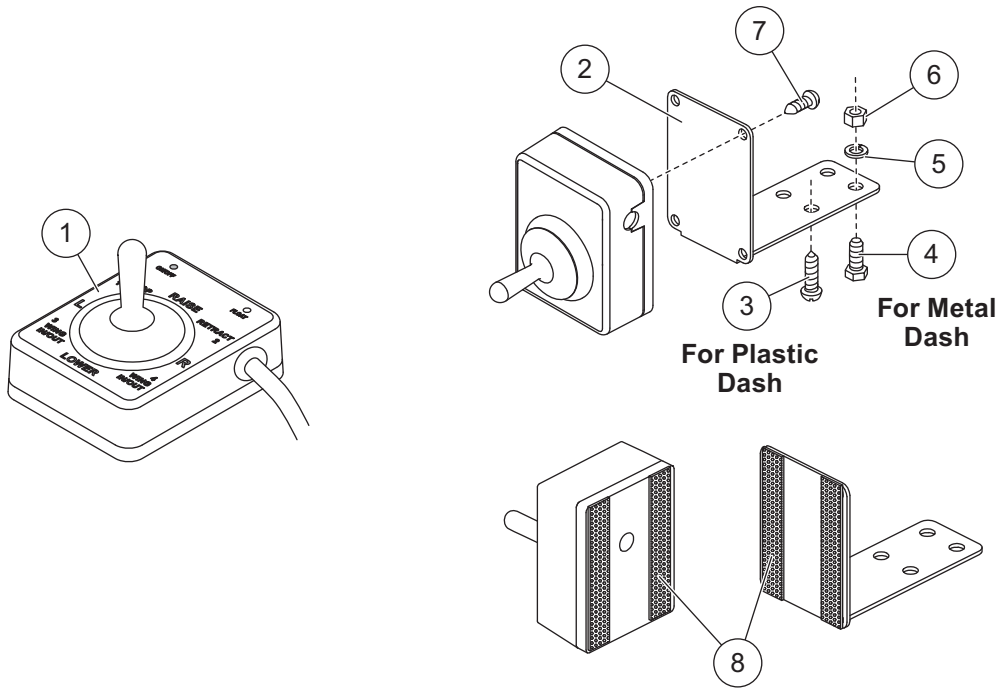


# Fish-Stik® Hand-Held Control Kit Joystick Control Kit

## Parts List



85100 Fish-Stik Hand-Held Control							
Item	Part	Qty	Description	Item	Part	Qty	Description
1	96593	1	Control Handle Kit	3	96464	1	Harness – 9-Button (4-pin)
2	74951	1	Keypad FLEET FLEX – 9-Button, Gray	4	64312	1	Parts Bag – Control Bracket
<b>Item 1</b>				<b>96593 Control Handle Kit</b>			
5		1	Control Body – Left	7		1	#8-18 x 3/4 Tapping Screw
6		1	Control Body – Right	8		1	#8-18 x 1-1/4 Tapping Screw
<b>Item 4</b>				<b>64312 Parts Bag – Control Bracket</b>			
9		3	#6-32 x 1 Tapping Screw	11		1	Control Bracket
10		3	#6 Spring Lock Washer				



85100 Joystick Control Kit							
Item	Part	Qty	Description	Item	Part	Qty	Description
1		1	Joystick Control, FISHER®	ns	96363	1	Parts Bag – Dash Bracket
96363 Parts Bag – Dash Bracket							
2		1	Control Bracket	6		2	1/4-20 Hex Nut G5
3		4	#12-14 x 3/4 Tapping Screw	7		2	#8-18 x 5/8 Tapping Screw
4		2	1/4-20 x 3/4 Hex Cap Screw G5	8	20254K	1	Dual Lock Mounting Kit
5		2	1/4 Spring Lock Washer				
ns = not shown				G = Grade			

Copyright © 2020 Douglas Dynamics, LLC. All rights reserved. This material may not be reproduced or copied, in whole or in part, in any printed, mechanical, electronic, film, or other distribution and storage media, without the written consent of Fisher Engineering. Authorization to photocopy items for internal or personal use by Fisher Engineering outlets or snowplow owner is granted.

Fisher Engineering reserves the right under its product improvement policy to change construction or design details and furnish equipment when so altered without reference to illustrations or specifications used. Fisher Engineering or the vehicle manufacturer may require or recommend optional equipment for snow removal. Do not exceed vehicle ratings with a snowplow. Fisher Engineering offers a limited warranty for all snowplows and accessories. See separately printed page for this important information. The following are registered (®) trademarks of Douglas Dynamics, LLC: FISHER®, Fish-Stik®.

Printed in U.S.A.