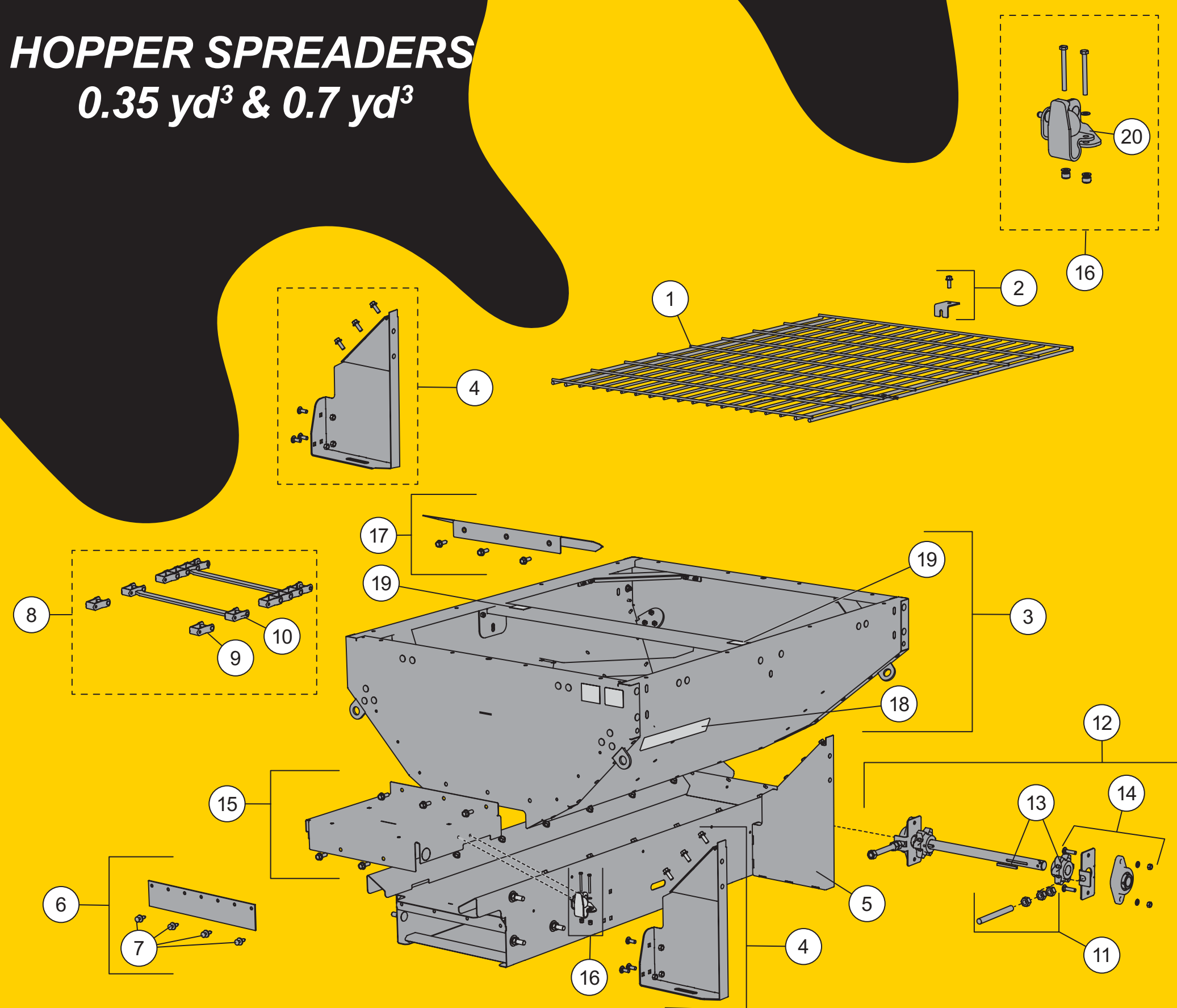


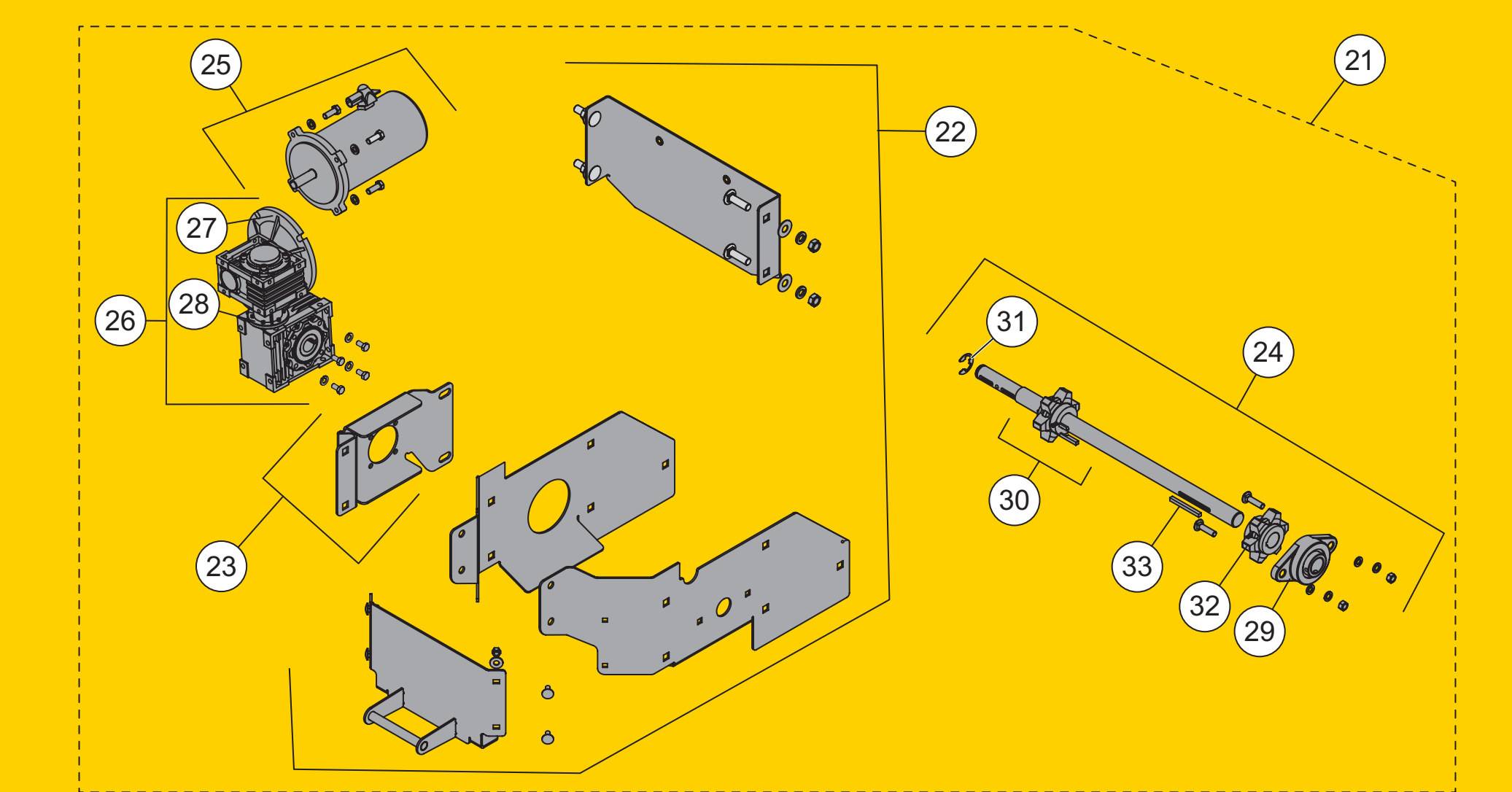
STEEL-CASTER™

HOPPER SPREADERS
0.35 yd³ & 0.7 yd³



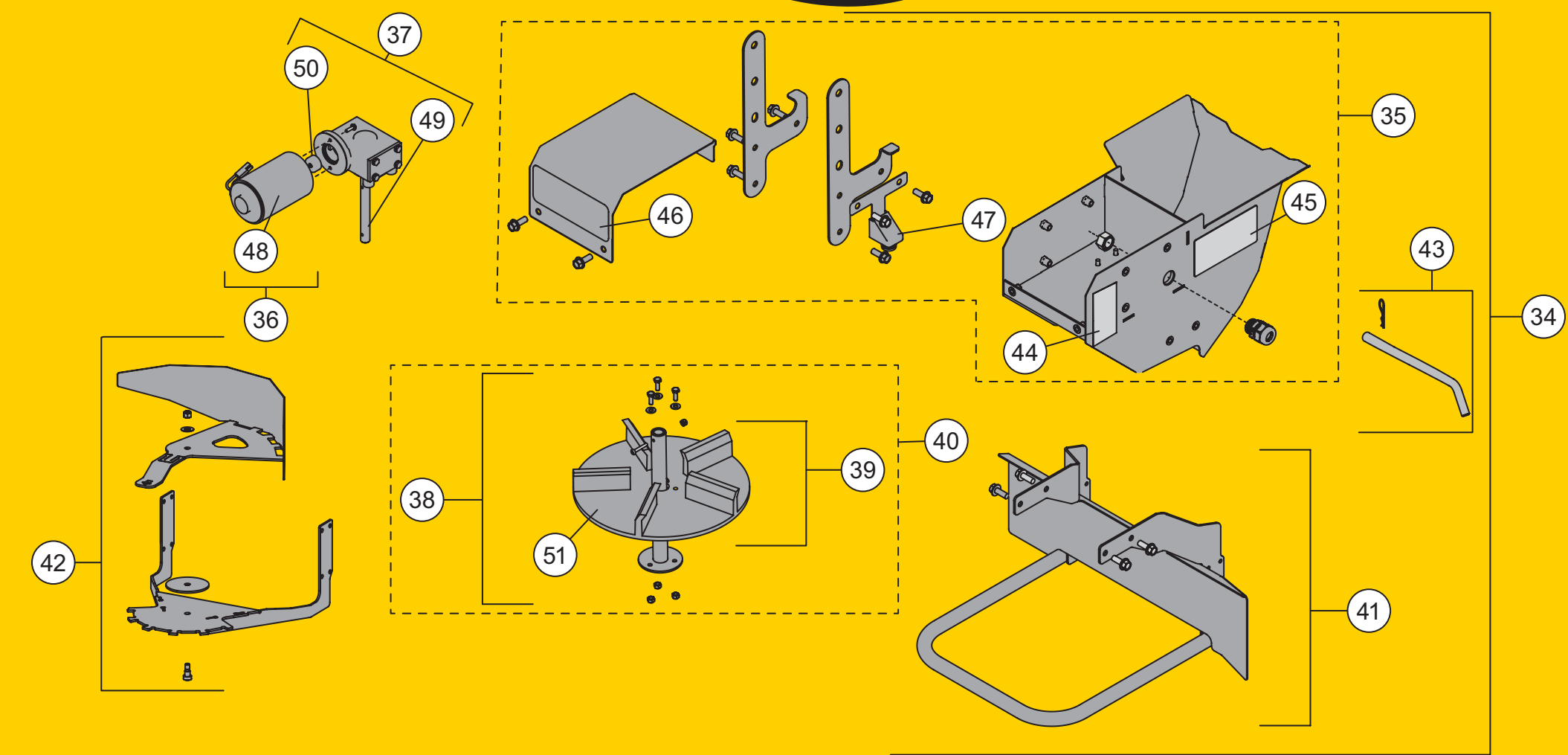
HOPPER COMPONENTS – 0.7 yd³

Item	Part	Description	Item	Part	Description
1	74697	Top Screen – 0.7 yd ³	11	99073	Tensioner Bolt Kit
2	83896	Screen Attachment Kit	12	99480	Idler Shaft Assembly Kit
3	83895	Hopper Service Kit	13	99479	6-Tooth Sprocket Kit
4	83293	Leg Service Kit A – 0.7 yd ³ Chain	14	94953	Spreader Bearing Kit
5	83294	Leg Service Kit B – 0.7 yd ³ Chain	15	83275	Mixing Chamber Cover Kit
6	78266	Wiper Replacement Kit	16	83308	Spinner Module Dust Cover
7	99079	Rivet Kit, Steel Hopper Wiper (pkg of 4)	17	83276	Tail-Side Doghouse Kit – 0.7 yd ³ Chain
8	74768	Pintle Chain	18	31594EN	Label – Warning/Caution, Spreaders
9	68475	Conveyor Repair Link w/Pins & Cotters	19	67272	Label – Caution, Do Not Lift
10	68492	Conveyor Repair Bar w/Pins & Cotters	20	11991	Dust Cover, Spinner Plug



POWERGROUP – 0.7 yd³

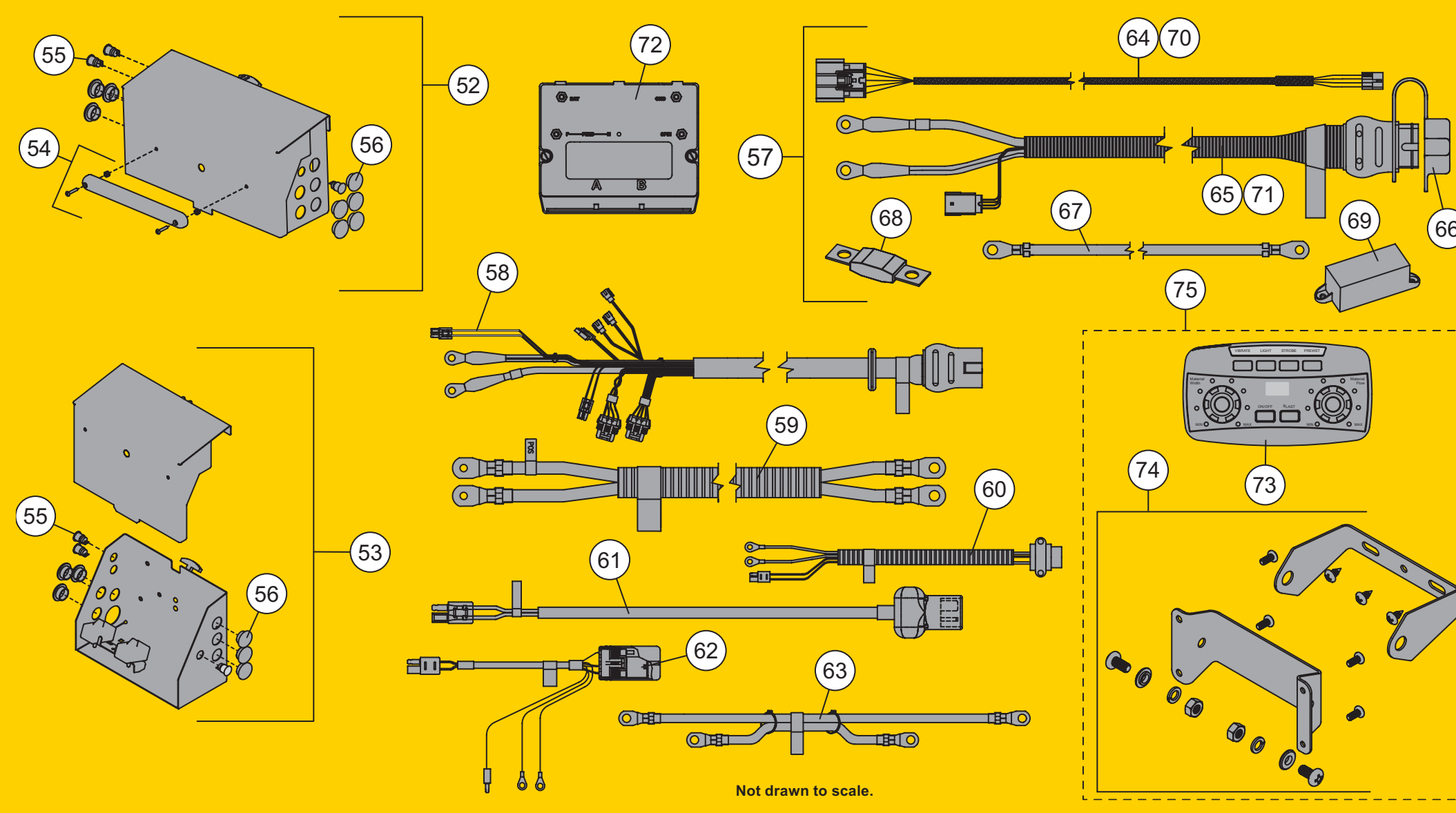
Item	Part	Description	Item	Part	Description
21	99091	Electric Conveyor Drive Kit	28	31102	Connector Flange
22	83274	Powergroup Mount Kit – 0.7 yd ³	29	94536	2-Bolt Flange Bearing 1.125 ID
23	83273	Gear Box Bracket Kit – 0.7 yd ³	30	99251	Drive Shaft Assembly
24	99094	Drive Shaft Kit, Electric	31	330	1" Retaining Ring
25	99085	Motor Kit, 1/2 hp	32	99479	6-Tooth Sprocket
26	31549	Transmission Kit	33	65195	Machine Key, 0.188 sq x 1.000
27	31101	Motor Flange			



SPINNER DRIVE COMPONENTS – 0.35 & 0.7 yd³

Item	Part	Description	Item	Part	Description
34	83890	Chute Assembly	44	32593EN	Label – Warning, Multiple Pinch Points
35	83888	Spinner Drive Housing	45	92969	Label – Warning, Chute Disconnect
36	75901	Spinner Motor Service Kit	46	30917EN	Label – Warning, No Step
37	83722	Spinner Transmission Kit	47	11992	Dust Cover, Spinner Harness
38	83889	Spinner Mount Kit	48	72690	Motor
39	85438	Spinner Disk Service Kit	49	D6107	Worm Transmission 8:1, 5.9" Shaft
40	83887	Spinner Disk and Mount Kit	50	D6232	Motor Drive Coupler
41	85437	Spinner Guard Service Kit	51	D6823	12 x 5/8 Spinner
42	83270	Shutter Accessory, Chute	ns	11100	Label – Warning, Rear Camera
43	30879	Chute Pin Kit			

ns = not shown



ELECTRICAL COMPONENTS – 0.35 & 0.7 yd³

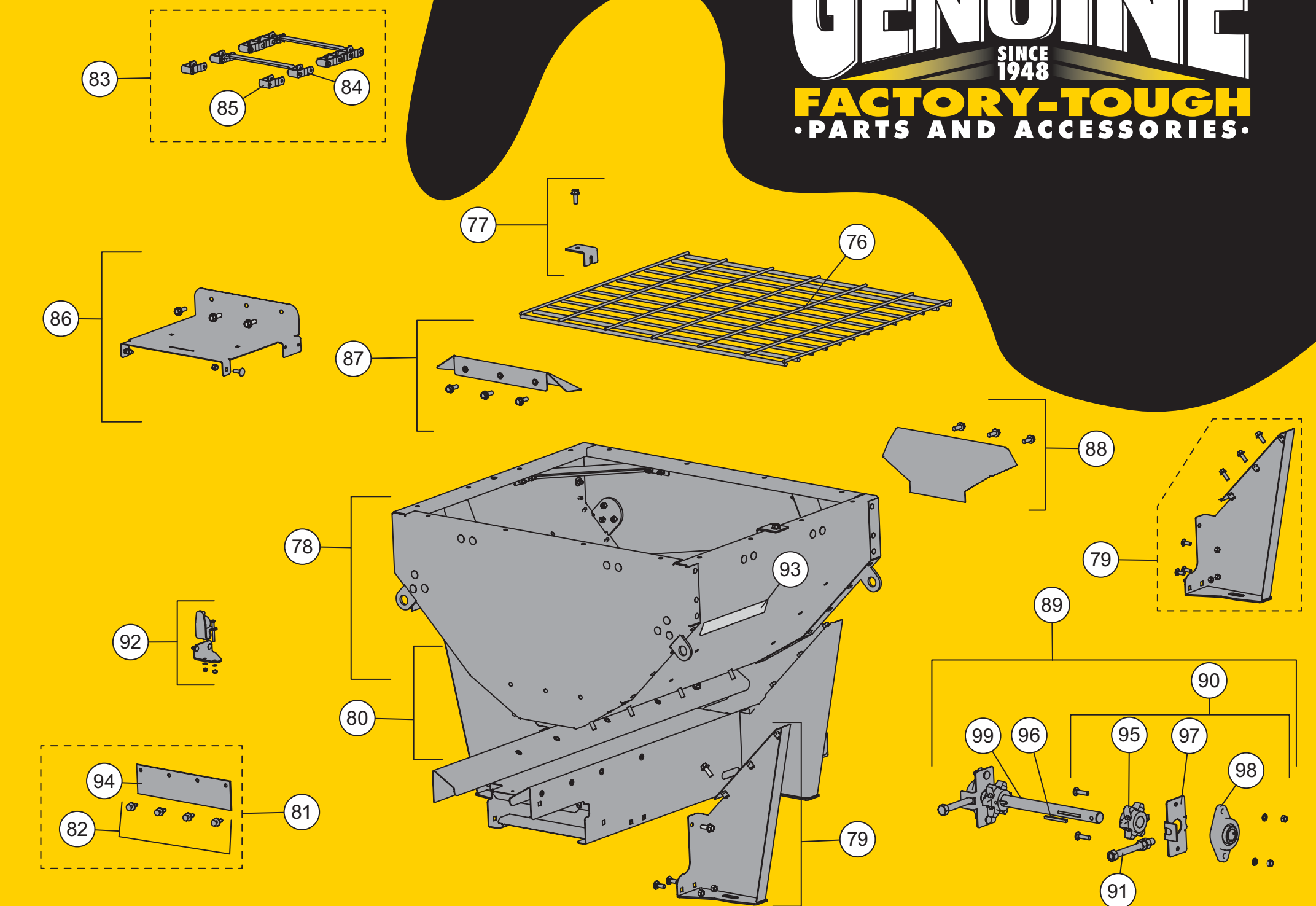
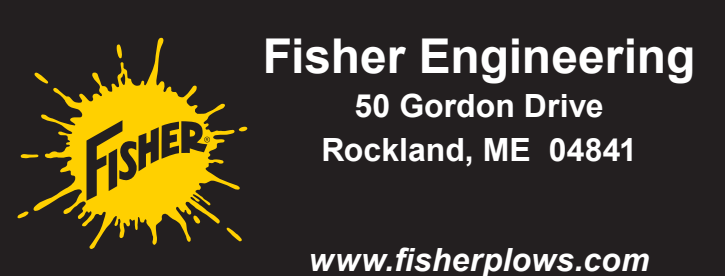
Item	Part	Description	Item	Part	Description
52	83299	Electrical Box Assembly – 0.7 yd ³	66	99759	Plug Cover
53	83292	Electrical Box Assembly – 0.35 yd ³	67	22511	22" Battery Cable – Red
54	99080	CHMSL Kit	68	95836	Fuse, 100A
55	99254	Switch, Push Button MO	69	95837	Fuse Holder/Isolated Stud Block
56	99195	Break-Thru Plug	70	69901	Vehicle Control Harness
57	78402	Vehicle-Side Harness Kit, 300"	71	78904	Vehicle Harness Assembly (incl. item 66)
	85692	Vehicle-Side Harness Kit, 140"	72	52385	Spreader Module, 4-Post
58	83688	Hopper Cable Assembly	73	99773	Cab Control 2-Knob
59	78987	Module to Auger Motor Cable Assembly	74	52345	Cab Control Bracket Kit
60	85448	Spinner Module Cable Assembly	75	99533	Cab Control Kit
61	78883	Spinner Motor Cable Assembly	ns	83712	Vibrator Extension Harness, 24"
62	78382	Vibrator Harness Assembly	ns	69916	8-Pin Cable Boot
63	78385	Module to Isolated Stud Cable Assembly	ns	61592	Butt Splice
64	69902	Vehicle Control Harness	ns	85480	Label – Information, Feed/Work Light
65	83690	Vehicle Harness Assembly (incl. item 66)	ns	85481	Label – Information, Feed Light

ns = not shown

Full parts lists available at www.fisherplows.com: Lit. No. 74147.

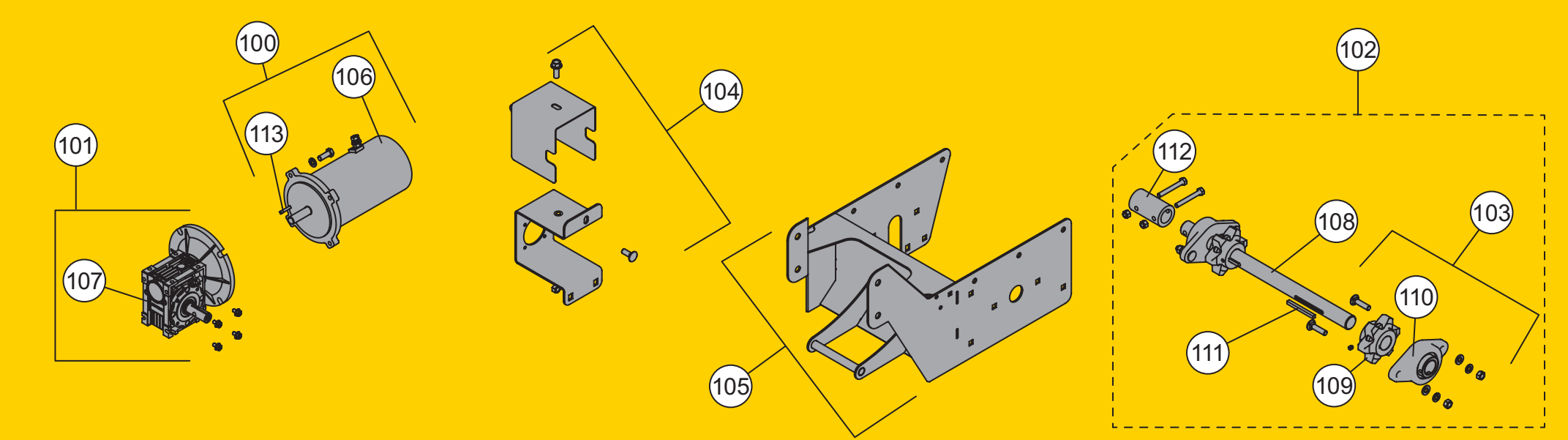
Copyright © 2023 Douglas Dynamics, LLC. All rights reserved. This material may not be reproduced or copied in whole or in part, in any printed, mechanical, electronic, film, or other distribution and storage media, without the written consent of Fisher Engineering. Authorization to photocopy items for internal or personal use by Fisher Engineering outlets or spreader owner is granted.

Fisher Engineering reserves the right under its product improvement policy to change construction or design details and furnish equipment when so altered without reference to illustrations or specifications used. Fisher Engineering or the vehicle manufacturer may require or recommend optional equipment for snow removal. Do not exceed vehicle ratings with a spreader. Fisher Engineering offers a limited warranty for all spreaders and accessories. See separately printed page for this important information. The following are registered (®) or unregistered (™) trademarks of Douglas Dynamics, LLC: FISHER®, STEEL-CASTER™.



HOPPER COMPONENTS – 0.35 yd³

Item	Part	Description	Item	Part	Description
76	74696	Top Screen – 0.35 yd ³	88	83271	Cab-Side Doghouse Kit – 0.35 yd ³
77	83896	Screen Attachment Kit	89	83266	Idler Shaft Assembly Kit – 0.35 yd ³
78	83265	Hopper Service Kit – 0.35 yd ³	90	94953	Spreader Bearing Kit
79	83296	Leg Service Kit A – 0.35 yd ³	91	99073	Tensioner Bolt Kit
80	83297	Leg Service Kit B – 0.35 yd ³	92	83308	Spinner Module Dust Cover
81	83272	Wiper Replacement Kit	93	31594EN	Label – Warning/Caution, Spreaders
82	99079	Rivet Kit, Steel Hopper Wiper (pkg of 4)	94	74686	Wiper Belt – 0.35 yd ³
83	74758	Conveyor Chain, 48-Link	95	65909	Drive Sprocket Machining 6T
84	68375	Conveyor Repair Bar w/Pins & Cotters	96	95076	Brass Key, 2.75"
85	68475	Conveyor Repair Link w/Pins & Cotters	97	99532	Bearing Alignment Plate
86	83268	Mixing Chamber Cover Kit – 0.35 yd ³	98	94536	2-Bolt Flange Bearing, 1.125 ID
87	83269	Tail-Side Doghouse Kit – 0.35 yd ³	99	74662	Idler Shaft, 3"



POWERGROUP – 0.35 yd³

Item	Part	Description	Item	Part	Description
100	85479	Motor, 1/2 hp, 1750 rpm	107	10923	Transmission, 80:1 MRVC 040
101	83267	Transmission Service Kit, 80:1	108	74661	Gear Box Shaft
102	83264	Drive Shaft Kit – 0.35 yd ³	109	65909	Drive Sprocket Machining 6T
103	94953	Spreader Bearing Kit	110	94536	2-Bolt Flange Bearing, 1.125 ID
104	83263	Gear Box Bracket Kit – 0.35 yd ³	111	95076	2.75" Brass Key
105	83262	Powergroup Mount Kit – 0.35 yd ³	112	74678	Drive Shaft Coupler – 0.35 yd ³
106	D6825-1	Motor, 1/2 hp, 1750 rpm	113	65195	Machine Key, 0.188 sq x 1.000

ACCESSORIES – 0.35 & 0.7 yd³

Item	Part	Description	Item	Part	Description
ns	99494	Strobe Light Kit	ns	85696	Spill Guards – 0.35 yd ³
ns	99505-1	Primary Work Light Kit	ns	85697	Spill Guards – 0.7 yd ³
ns	99732-1	Auxiliary Work Light Kit	ns	85698	Side Extensions – 0.35 yd ³
ns	85694	License Plate Kit	ns	85699	Side Extensions – 0.7 yd ³
ns	11763	Grease Point Kit (0.7 yd ³ only)	ns	85693	Truck Conversion Kit – 0.35 yd ³
ns	76668	Vibrator Kit	ns	85706	Inverted V Kit – 0.35 yd ³
ns	85692	Vehicle-Side Harness Kit – 0.35 yd ³	ns	85707	Inverted V Kit – 0.7 yd ³
ns	78402	Vehicle-Side Harness Kit – 0.7 yd ³	ns	99080	CHMSL Kit
ns	68790	Ratchet Strap Kit (pkg of 4)	ns	30059	Tarp Kit – 0.35 yd ³
			ns	30061	Tarp Kit – 0.7 yd ³

ns = not shown