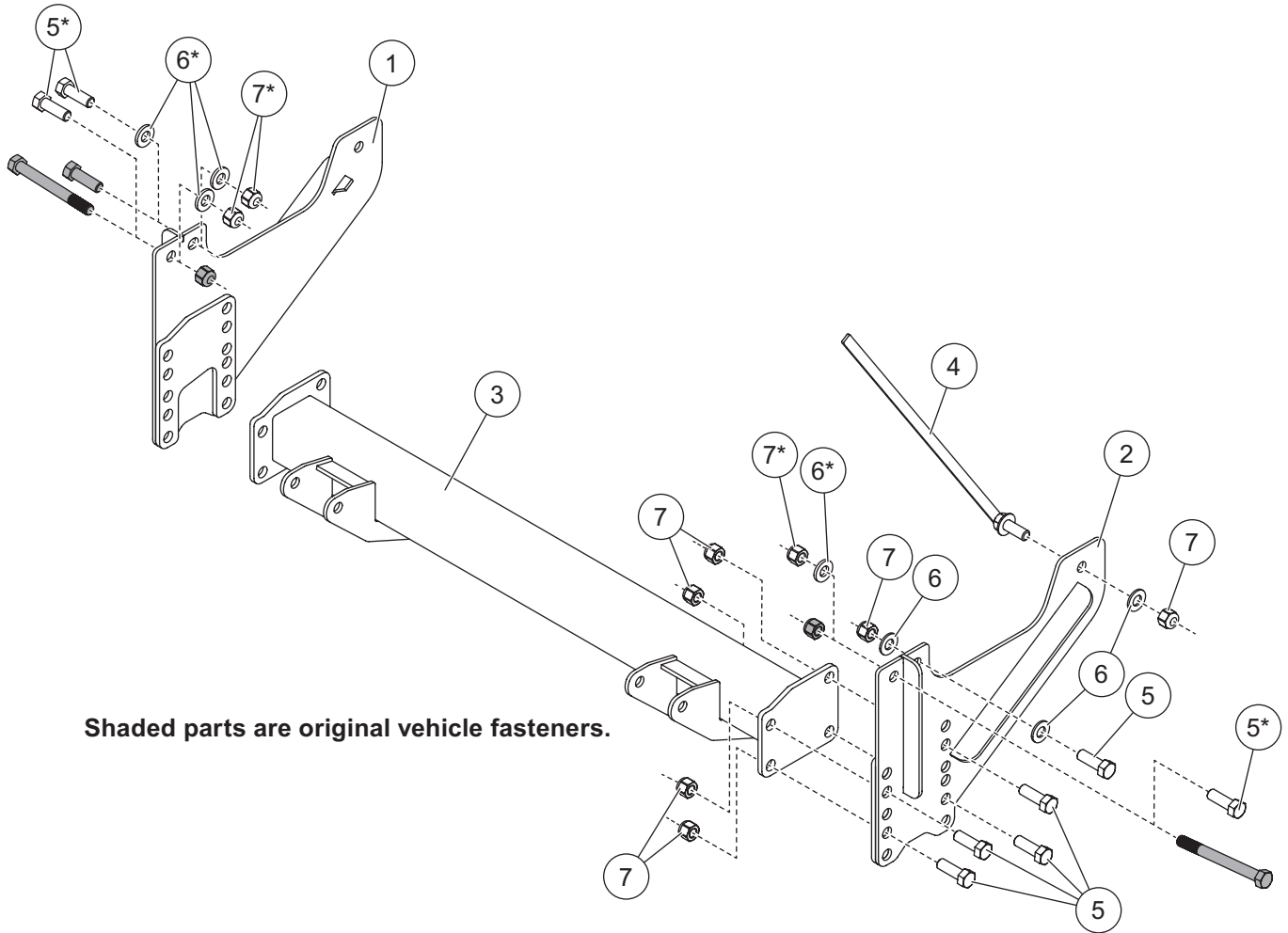


PARTS LIST



Shaded parts are original vehicle fasteners.

31554-1 Mount Kit							
Item	Part	Qty	Description	Item	Part	Qty	Description
1	77361	1	Mount Plate – PS	4	63330	2	1/2-13 x 1-1/4 Hex Cap Screw G8 w/Handle, 18"
2	77360	1	Mount Plate – DS	ns	77364	1	Bolt Bag
3	77362	1	Mount Beam	77364 Bolt Bag			
5		12	1/2-13 x 1-1/2 Hex Cap Screw G5	ns		4	Cable Tie – Extra Heavy Duty
6		8	1/2 Hardened Flat Washer	ns		4	Cable Tie – Long
7		14	1/2-13 Locknut GB				
ns = not shown				G = Grade			

* For use on vehicles not equipped with tow hooks. Refer to Installation Instructions.

Copyright © 2022 Douglas Dynamics, LLC. All rights reserved. This material may not be reproduced or copied, in whole or in part, in any printed, mechanical, electronic, film, or other distribution and storage media, without the written consent of the company. Authorization to photocopy items for internal or personal use by the company's outlets or snowplow owner is granted.

The company reserves the right under its product improvement policy to change construction or design details and furnish equipment when so altered without reference to illustrations or specifications used. This equipment manufacturer or the vehicle manufacturer may require or recommend optional equipment for snow removal. Do not exceed vehicle ratings with a snowplow. The company offers a limited warranty for all snowplows and accessories. See separately printed page for this important information.

Printed in U.S.A.
