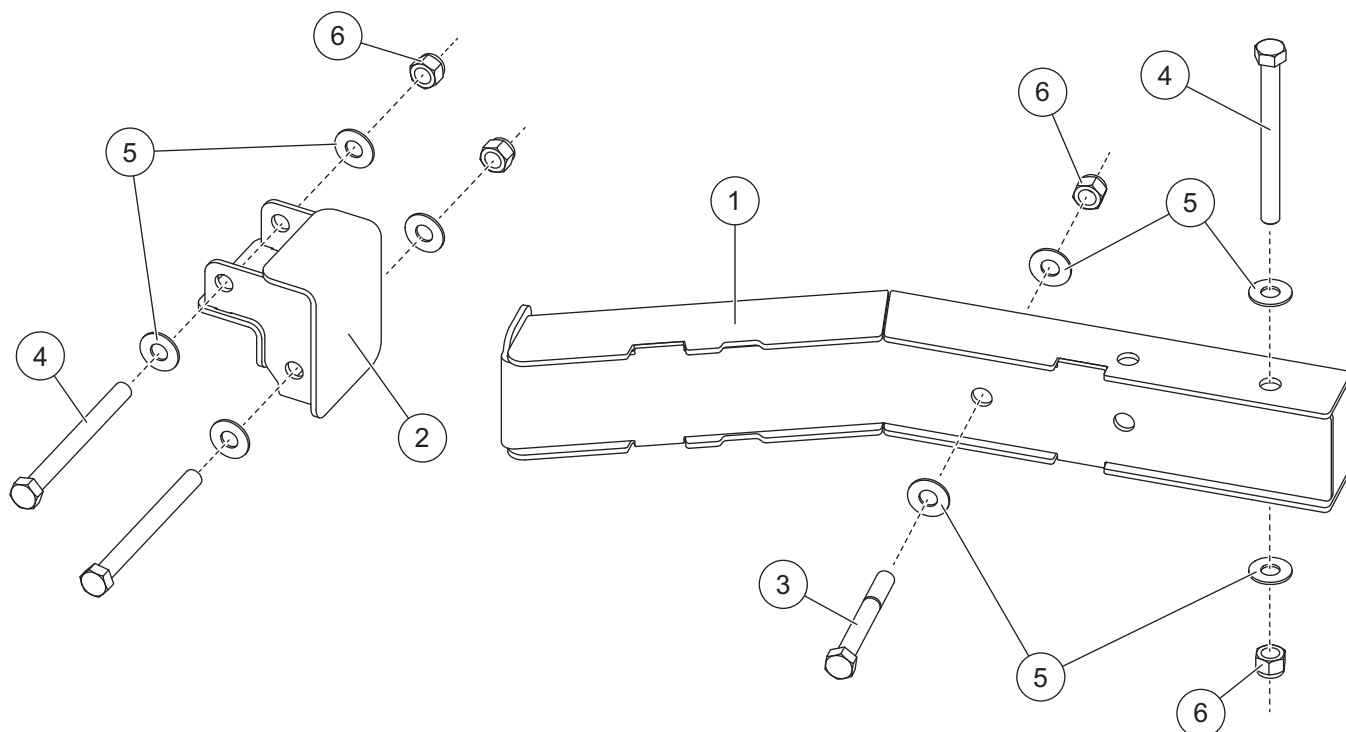


Blade Stop Kit

PARTS LIST



74528 Blade Stop Kit							
Item	Part	Qty	Description	Item	Part	Qty	Description
1	74523	2	Outrigger	ns	11809	1	Bolt Bag
2	74527	2	On-Blade Bracket				
11809 Bolt Bag							
3		2	3/8-16 x 3 Hex Cap Screw G8	5		16	3/8 Flat Washer SS
4		6	3/8-16 x 4 Hex Cap Screw G8	6		8	3/8 x 16 Hex Locknut GB
ns = not shown			G = Grade	SS = Stainless Steel			

⚠ WARNING

Do not exceed GVWR or GAWR, including blade and ballast. The rating label is found on the driver-side vehicle door cornerpost.

⚠ CAUTION

Read this document before installing the blade stop kit.

⚠ CAUTION

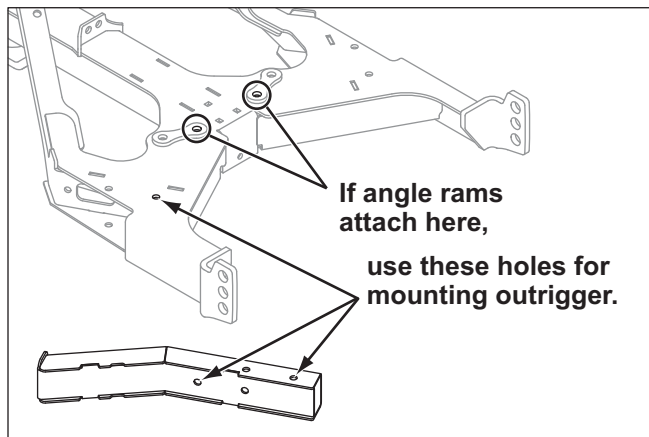
Use standard methods and practices when attaching snowplow and installing accessories, including proper personal protective safety equipment.

INSTALLATION INSTRUCTIONS

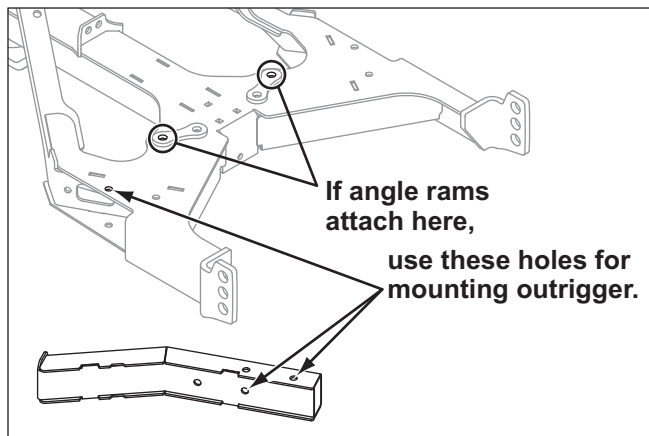
Park the vehicle on a smooth, level, hard surface, such as concrete. Lower the blade to the ground and turn the control OFF. Disconnect the snowplow from the vehicle, or turn the vehicle ignition to the "OFF" position and remove the key.

Outrigger to T-Frame

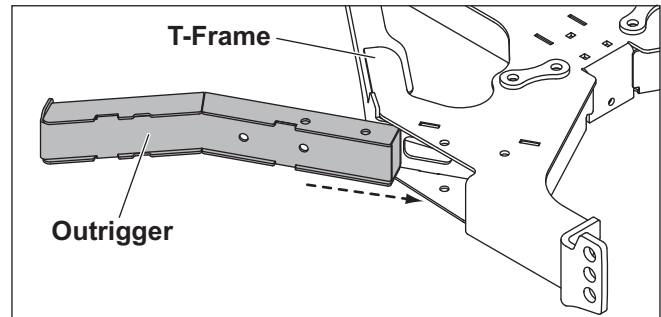
1. Determine which outrigger mounting holes to use by observing the angle ram attachment points:



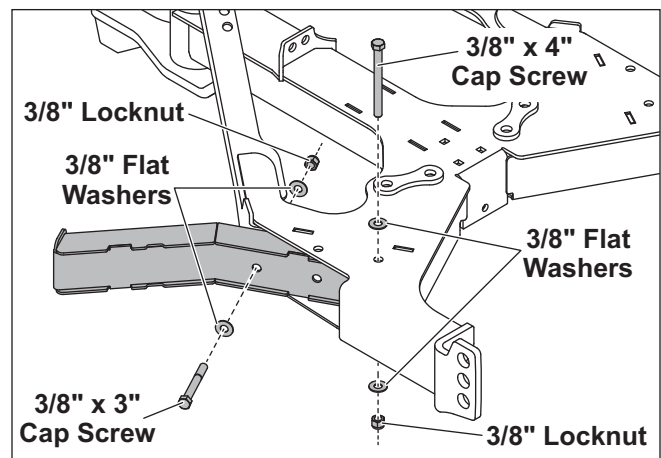
— OR —



2. Slide an outrigger into one opening of the T-frame and align the mounting holes. The outrigger must angle outward, as shown.



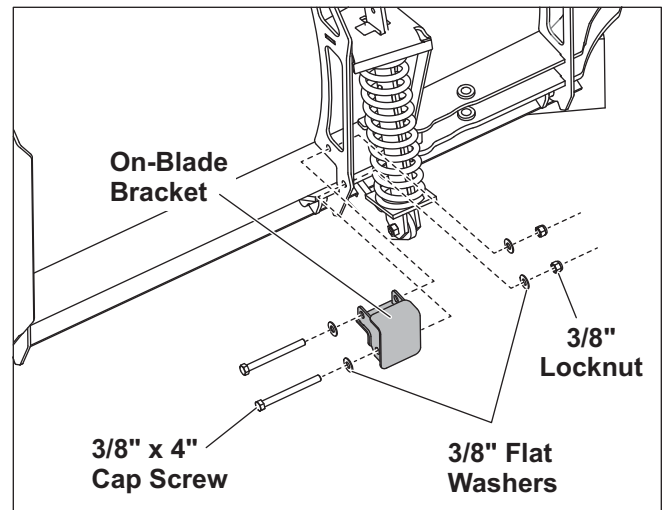
3. Install the outrigger using the previously determined mounting holes. Insert a 3/8" x 4" cap screw with 3/8" washer through the top mounting holes, and a 3/8" x 3" cap screw with 3/8" washer through the side holes. Add a second washer and a 3/8" locknut on each fastener to secure the outrigger in place. (Illustration shows outrigger installed in rearward position.)



4. Tighten the fasteners to 31 ft-lb.
5. Repeat on the other side.

On-Blade Bracket to Blade

1. On one blade wing, align an on-blade bracket with the mounting holes on blade rib, as shown.
2. Insert two 3/8" x 4" cap screws with 3/8" washers through the bracket and rib mounting holes. Add another washer and a 3/8" locknut on each fastener, as shown.
3. Tighten the fasteners to 31 ft-lb.
4. Repeat on the other blade wing.



Copyright © 2021 Douglas Dynamics, LLC. All rights reserved. This material may not be reproduced or copied, in whole or in part, in any printed, mechanical, electronic, film, or other distribution and storage media, without the written consent of the company. Authorization to photocopy items for internal or personal use by the company's outlets or snowplow owner is granted.

The company reserves the right under its product improvement policy to change construction or design details and furnish equipment when so altered without reference to illustrations or specifications used. This equipment manufacturer or the vehicle manufacturer may require or recommend optional equipment for snow removal. Do not exceed vehicle ratings with a snowplow. The company offers a limited warranty for all snowplows and accessories. See separately printed page for this important information.

Printed in U.S.A.
