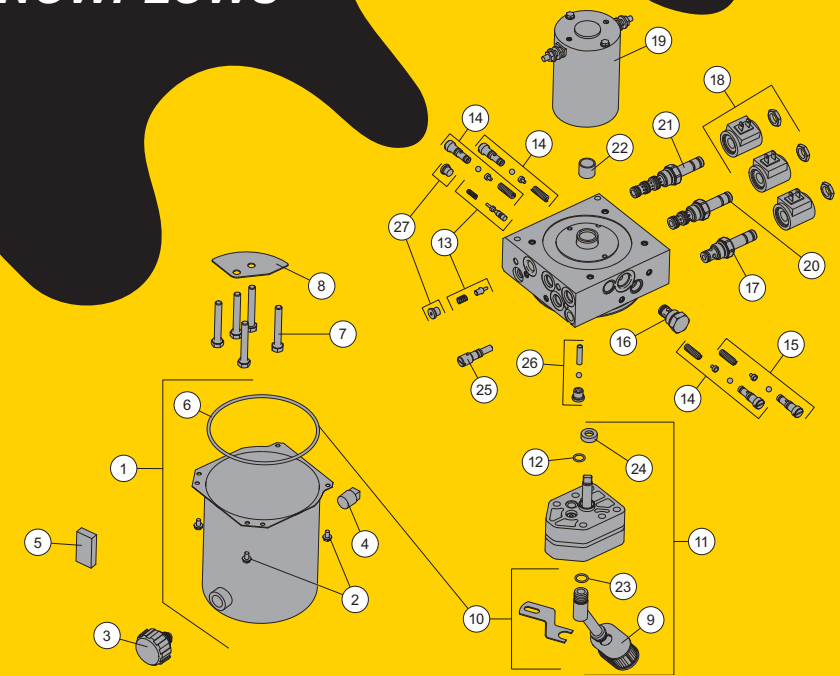


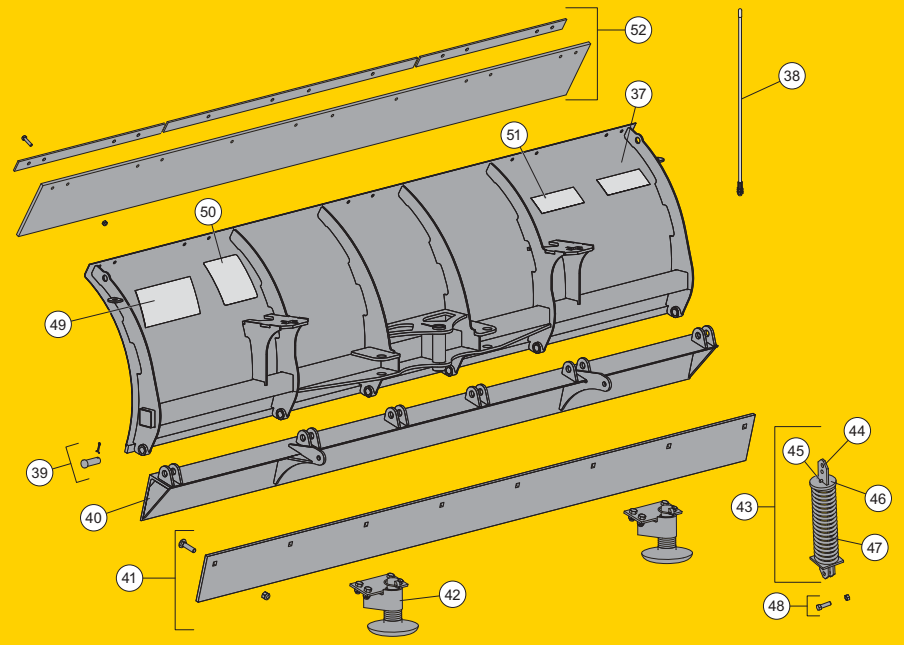
HT SERIES™ SNOWPLOWS



HYDRAULIC UNIT

Item	Part	Description	Item	Part	Description
ns	48553*	Hydraulic Unit Service Kit	16	44333-1	Check Valve CV08-20
1	48538	Reservoir Kit	17	7634K-2	Valve, 2-Way w/Nut
2	66607	10-24 x 5/16 Machine Screw Slotted Hex Washer-Head	18	7639K-2	Coil w/Spade Terminals
3	21727-2	Breather 3/8 NPT Kit	19	48543-1	Motor Assembly 3"
4	92079	Plug, Square 3/8 NPTF	20	66608K-1	Cartridge Valve, 3-Way w/Nut
5	73897	Magnet	21	7637K-1	Cartridge Valve, 4-Way w/Nut
6	66519	O-Ring 2-250	22	64596-1*	Bearing, Sleeve
7	90073	5/16-18 x 2-1/4 Hex Cap Screw G5	23	56416	O-Ring -014
8	48464	Plate Baffle	24	66515*	Pump Shaft Seal
9	26781-3	Suction Filter	25	48517	Quill
10	66763-1	Inlet Fitting/Filter Kit	26	48518	Check Valve Assembly
11	21501-1	Hydraulic Pump Kit - IA	27	92960	Plug, Hex Socket -3 M ORB
12	56274	O-Ring -013	O-Ring Service Kits		
13	7630K	Poppet Check Valve Kit	ns	7632K-4	O-Ring Kit & Back-Up Ring Kit
14	7629K-3	Relief Valve Kit (2 sets)	ns	49258-2	Seal Kit 2-Way Valve
15	27792-1	Relief Valve Repair Kit	ns	49259-2	Seal Kit Cartridge 3-Way and 4-Way Valve

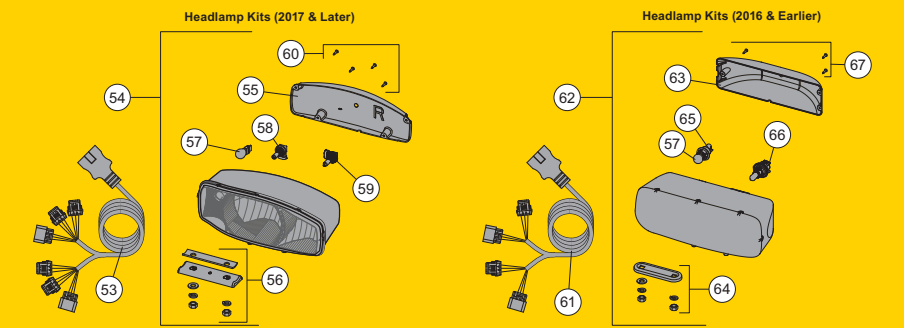
* Includes 48552 hydraulic unit and plow-side electrical components (shown separately). Not used for central hydraulics.
 † Use 64589 tool for bearing sleeve replacement (includes 1 bearing). ‡ Use 28856 tool for pump shaft seal replacement (includes 1 seal).
 ns = not shown



BLADE ASSEMBLY

Item	Part	Description	Item	Part	Description
37	69700	Blade 7-1/2'	47	5323	Trip Spring
38	27195	Blade Guides 26" (set of 2)	48	40905	Shoulder Bolt & Locknut Packet
39	84844	3/4 x 2-3/16 Machine Pin w/Cotter	49	69516	Label - Attach/Detach
40	69622	Base Angle Kit	50	59900	Label - Warning/Caution, Snowplows
41	5532	3/8 Steel Cutting Edge Kit 7-1/2'	51	26211	Label - Identity, STORM GUARD™
ns	50678*	1/2 Steel Cutting Edge Kit 7-1/2'	ns	96361	Label - Identity, HT Series™
42	27880*	Shoe Kit (set of 2)	ns	20238	Label - FISHER® Splatter, 13-1/4 x 14-1/2
43	21452	Removable Spring Assembly	52	69605*	Rubber Deflector Kit
44	21450	Removable Spring Bar	ns	69660*	SnoFoil® Assembly Kit
45	20181	1/4 x 1-1/4 Pin	ns	44405*	Curb Guard Kit (set of 2)
46	20191	Removable Spring Disc	* Accessory Only		

ns = not shown



Harnesses not drawn to scale.

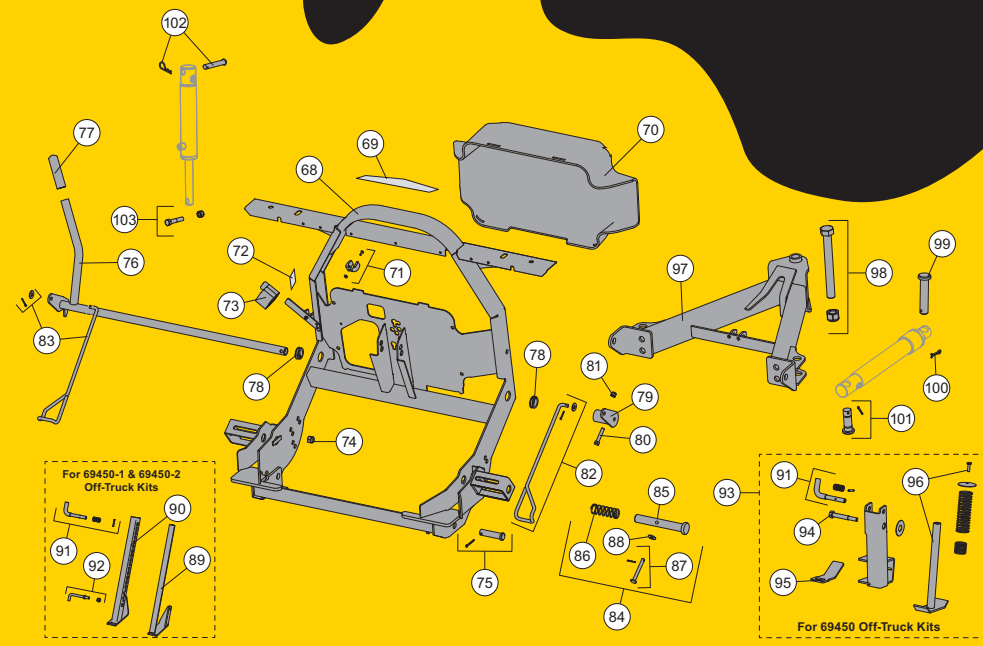
HEADLAMPS

Item	Part	Description	Item	Part	Description
53	38807	Harness Service Kit H9/H11	ns	26498	Vehicle Control Harness - Central Hydraulics
54	38802	Headlamp Service Kit H9/H11 - PS	61	28213K	Harness Service Kit H13
ns	38801	Headlamp Service Kit H9/H11 - DS	62	28802-1	Headlamp Service Kit - PS
55	38803	Rear Cover Kit H9/H11 - PS	ns	28801-1	Headlamp Service Kit - DS
ns	38812	Rear Cover Kit H9/H11 - DS	63	28803-1	Rear Cover Kit (fits 2- or 3-screw)
56	38804	Mounting Hardware Kit H9/H11	64	28804	Mounting Hardware Kit
57	-	Park/Turn Bulb (Trade No. 4157NAK)	65	28805	Park/Turn Socket Service Kit
58	38811	H11 Headlamp Bulb Service Kit	66	28806	H13 Headlamp Bulb Service Kit
59	38809	H9 Headlamp Bulb Service Kit	67	28808-1	Cover Screws Service Kit (pkg of 3)
60	38808	Cover Screws Service Kit H9/H11 (pkg of 4)	ns = not shown		

ns = not shown

Full parts list available at www.fisherplows.com (Lit. Nos. 69828 & 85307).

Copyright © 2017 Douglas Dynamics, LLC. All rights reserved. This material may not be reproduced or copied, in whole or in part, in any printed, mechanical, electronic, film, or other distribution and storage media, without the written consent of Fisher Engineering. Authorization to photocopy items for internal or personal use by Fisher Engineering outlets or snowplow owner is granted.
 Fisher Engineering reserves the right under its product improvement policy to change construction or design details and furnish equipment when so altered without reference to illustrations or specifications used. Fisher Engineering or the vehicle manufacturer may require or recommend optional equipment for snow removal. Do not exceed vehicle ratings with a snowplow. Fisher Engineering offers a limited warranty for all snowplows and accessories. See separately printed page for this important information. The following are registered (®) or unregistered (™) trademarks of Douglas Dynamics, LLC: FISHER®, HT Series™, SECURITY GUARD™, SnoFoil®, STORM GUARD™.

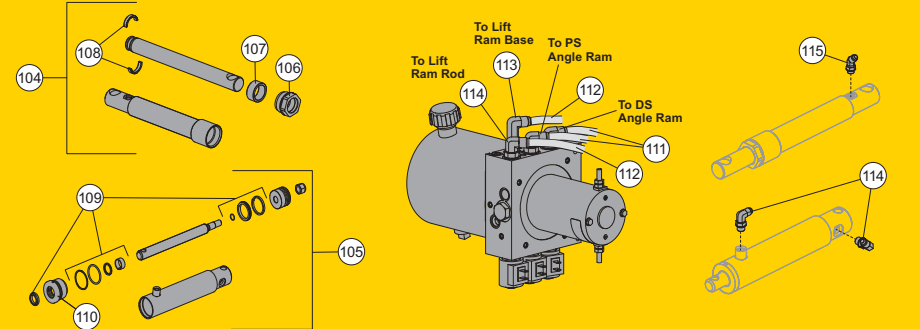


HEADGEAR & A-FRAME

Item	Part	Description	Item	Part	Description
68	69518	Headgear	87	26219	Clevis Pin Kit
69	69371	Label - Headgear	88	90315	3/8 Flat Washer
70	69650	Hydraulic Cover	89	69843	HT Jack Leg - PS
71	27162K-1	Stop Clip Kit	90	69842	HT Jack Leg - DS
72	69689	Label - SECURITY GUARD™	91	69618	Stand Pin Release kit
73	8284K	Cable Boot	92	27164K	Handle Kit
74	91335	1/2-13 Hex Locknut	ns	69831*	Dual Jack Leg and Link Arm Assembly Kit
75	69607	Clevis Pin Kit	93	69625	Stand Assembly
76	69606	Handle, Link Arm Assembly	94	90610	1/2-13 x 3-1/2 Hex Cap Screw G5
77	27535	Handle Cover Kit	95	69619	Stand Spring Release Handle
78	27163K	Bushing Kit (pkg of 2)	96	69617	Stand Leg Kit
79	69683	Link Arm	97	69523	A-Frame
80	90043	3/8-16 x 2 Hex Cap Screw G5	98	69667	Bolt Kit 9"
81	91333	3/8-16 Hex Locknut GB	99	93074	1 x 3-1/4 Clevis Pin
82	27167K	Wire Cam Kit - PS	100	91911	5/32 x 1-1/2 Cotter Pin
83	27166K	Wire Cam Kit - DS	101	69666	Pin Kit
84	27168K	Connecting Pin Kit	102	50653	Lift Ram Pin Kit (base)
85	26833	1 x 6-15/16 Pin	103	69669	Lift Ram Pin Kit (rod)
86	821	3/4 x 3-1/2 Compression Spring	* Conversion kit for 69450 Off-Truck Kits; replace stand assembly with dual jack legs. ns = not shown		

G = Grade

ns = not shown



RAMS, HOSES & FITTINGS

Item	Part	Description	Item	Part	Description
104	69670	Angle Ram Assembly 1-1/2 x 8	111	56710	Hose, 1/4 x 32 w/F JIC Ends
105	69668	Lift Ram Assembly 2 x 6-3/4 DA	112	56830	Hose, 1/4 x 22 w/F JIC Ends
106	48985	Elbow, Extra Long 90° -6 M JIC/-6 M ORB	113	44361	Elbow, Extra Long 90° -6 M JIC/-6 M ORB
107	56537	Spacer	114	56725	Elbow, 90° -6 M JIC/-6 M ORB
108	20118K	Split Bearing Kit	115	56726	Elbow, 45° -6 M JIC/-6 M ORB
109	48520	Seal Kit 2 x 6-3/4 DA	ns	56823	Hose Wrap
110	48451	Gland 1"	ns = not shown		

ns = not shown

F = Female

M = Male

ELECTRICAL COMPONENTS

Item	Part	Description	Item	Part	Description
28	28581-1	Harness Plow Control, 3-Solenoid	34	65340	Clamp Loop #10
29	29071	Cable Assembly 8"	35	48522	Hydraulic Plate
30	42015	Snowplow Battery Cable	36	98043	3/8-16 x 1 Button Cap Screw
31	49567	Flow Module, 2-Port	ns	42014	Vehicle Battery Cable
32	43988	1/4-20 x 3/8 Hex Washer-Head Thread-Rolling Screw	ns	28587	Vehicle Control Harness
33	42901	Motor Relay Kit FLEET FLEX	ns	8291K	Plug Cover

ns = not shown