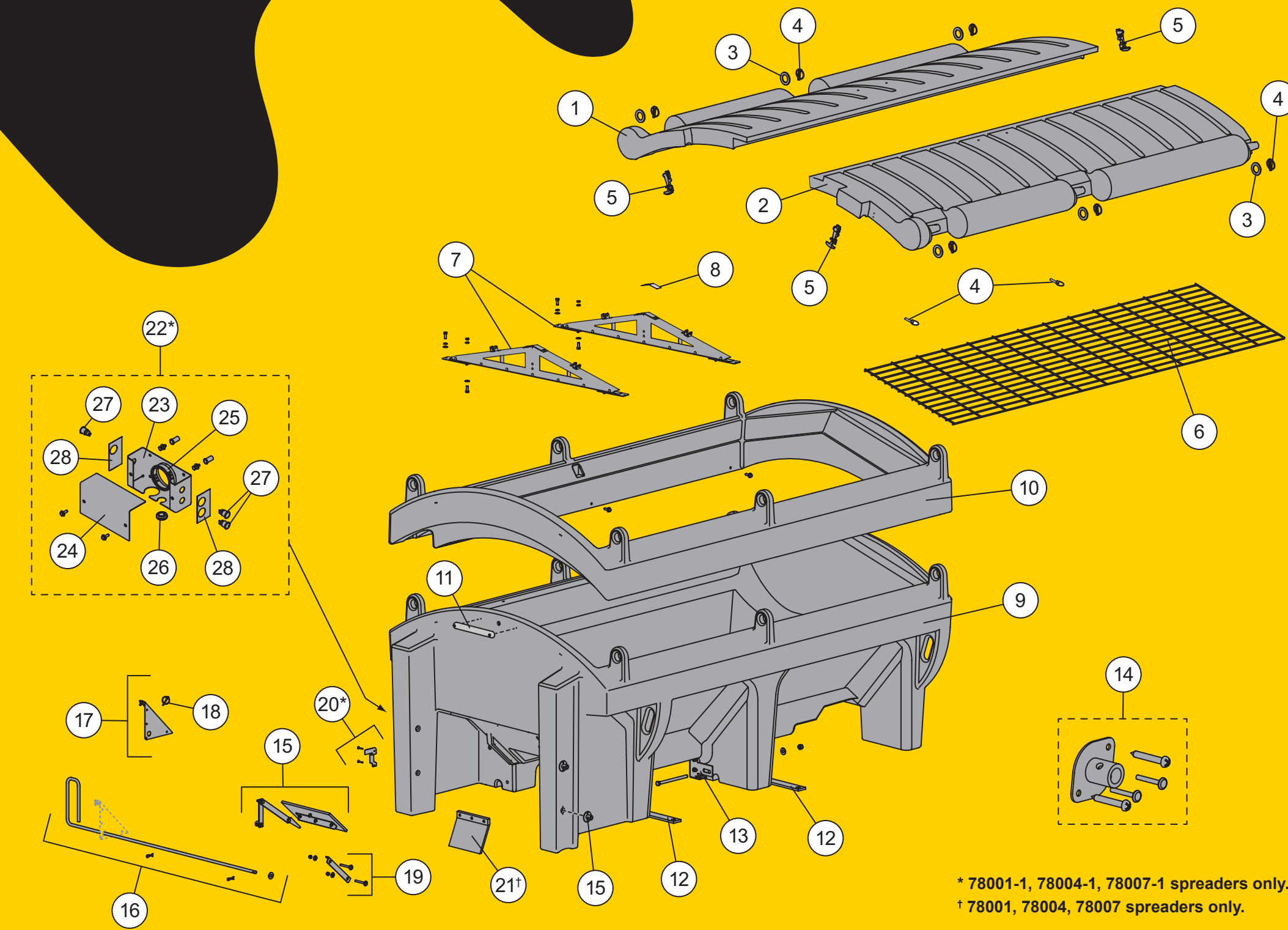


POLYCASTER™

HOPPER SPREADERS

1.5 yd³ / 1.8 yd³ / 2.5 yd³



* 78001-1, 78004-1, 78007-1 spreaders only.
† 78001, 78004, 78007 spreaders only.

HOPPER, LID & TOP SCREEN

| Item | Part | Description | Item | Part | Description |
|------|---------|---|------|---------|--|
| 1 | 78018 | Poly Hopper Lid DS - 7" | 11 | 78048-1 | CHMSL Kit |
| | 28288 | Poly Hopper Lid DS - 7" (serial # 180531 and higher) | 12 | 78109 | Mounting Bar Kit |
| | 78019 | Poly Hopper Lid DS - 8" | 13 | 78119 | Hopper Mounting Bracket - PS |
| 2 | 78020 | Poly Hopper Lid PS - 7" | ns | 78133 | Hopper Mounting Bracket - DS |
| | 78290 | Poly Hopper Lid PS - 7" (serial # 180531 and higher) | 14 | 78262 | Chute Attachment Sleeve Kit |
| | 78021 | Poly Hopper Lid PS - 8" | 15 | 78118 | Feed Gate Assembly Kit, Poly Hopper |
| 3 | 78097 | Washer, 2.5 OD x 1.53 ID SS | 16 | 78094 | Feed Gate Handle Kit |
| 4 | 93010 | 7/16 Linchpin | 17 | 78098 | Feed Gate Detent Bracket Kit |
| 5 | 65224 | Strap, Rubber Hold-Down Assembly | 18 | 93042 | 3/16 Linchpin |
| 6 | 78115 | Top Screen - 7" Painted (1 of 2 shown) | 19 | 78083 | Feed Gate Guide w/Fasteners |
| | 78116 | Top Screen - 8" Painted (1 of 2 shown) | 20 | 99748* | Chute Connector Clip Kit |
| 7 | 78117-3 | Top Screen Brace w/Label | 21 | 78177* | Sprocket Shield Kit |
| 8 | 67272 | Label - Caution, Do Not Lift | 22* | - | Switch Box Enclosure (on DS of hopper) |
| 9 | 78010 | Poly Hopper Body - 7" | ns | 99775* | Cable Boot 8-Pin |
| | 78013 | Poly Hopper Body - 8" | ns | 61246† | Cable Boot |
| 10 | 78227 | Poly Hopper Collar - 8" (2.5 yd ³ capacity spreader) | | | |
| ns | 78242 | Poly Hopper Collar Hardware Kit | | | |

| Item 22* Switch Box Enclosure Components | | | | | |
|--|-------|---------------------------|----|-------|------------------------------------|
| 23 | 99746 | External Enclosure, Body | 26 | 99195 | Break-Thru Plug |
| 24 | 99747 | External Enclosure, Cover | 27 | 99254 | Push-Button Switch |
| 25 | 78434 | Snap-In Grommet | 28 | 95077 | Dump Switch Label Kit (both sides) |

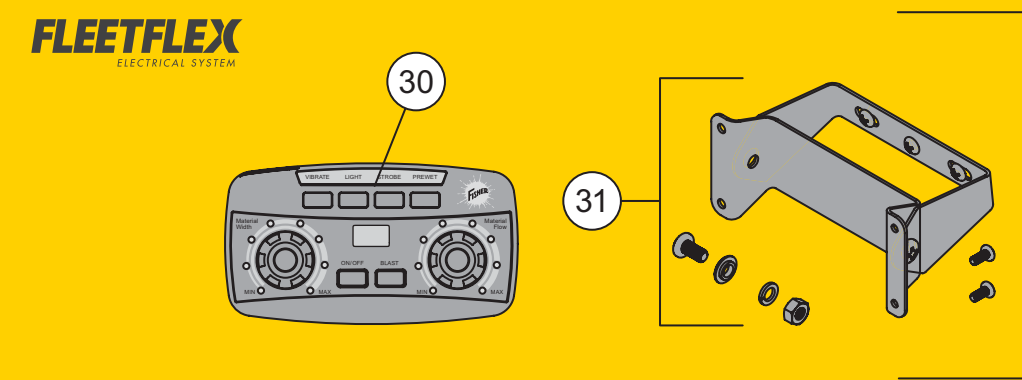
* Used only on 78001-1, 78004-1, and 78007-1 spreaders with FLEET FLEX electrical system.

† Used only on 78001, 78004, and 78007 spreaders.

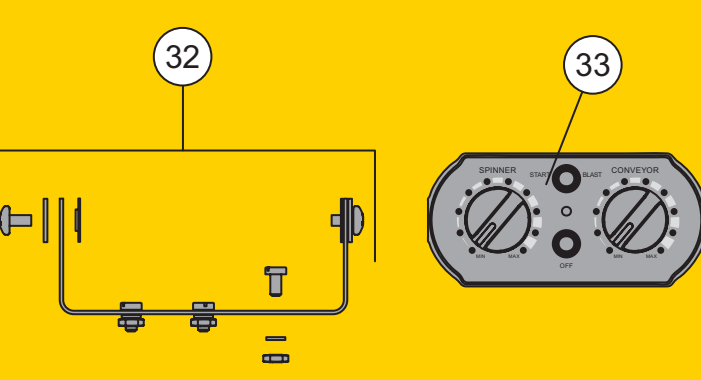
ns = not shown

SS = Stainless Steel

78001-1, 78004-1, and 78007-1 Spreaders

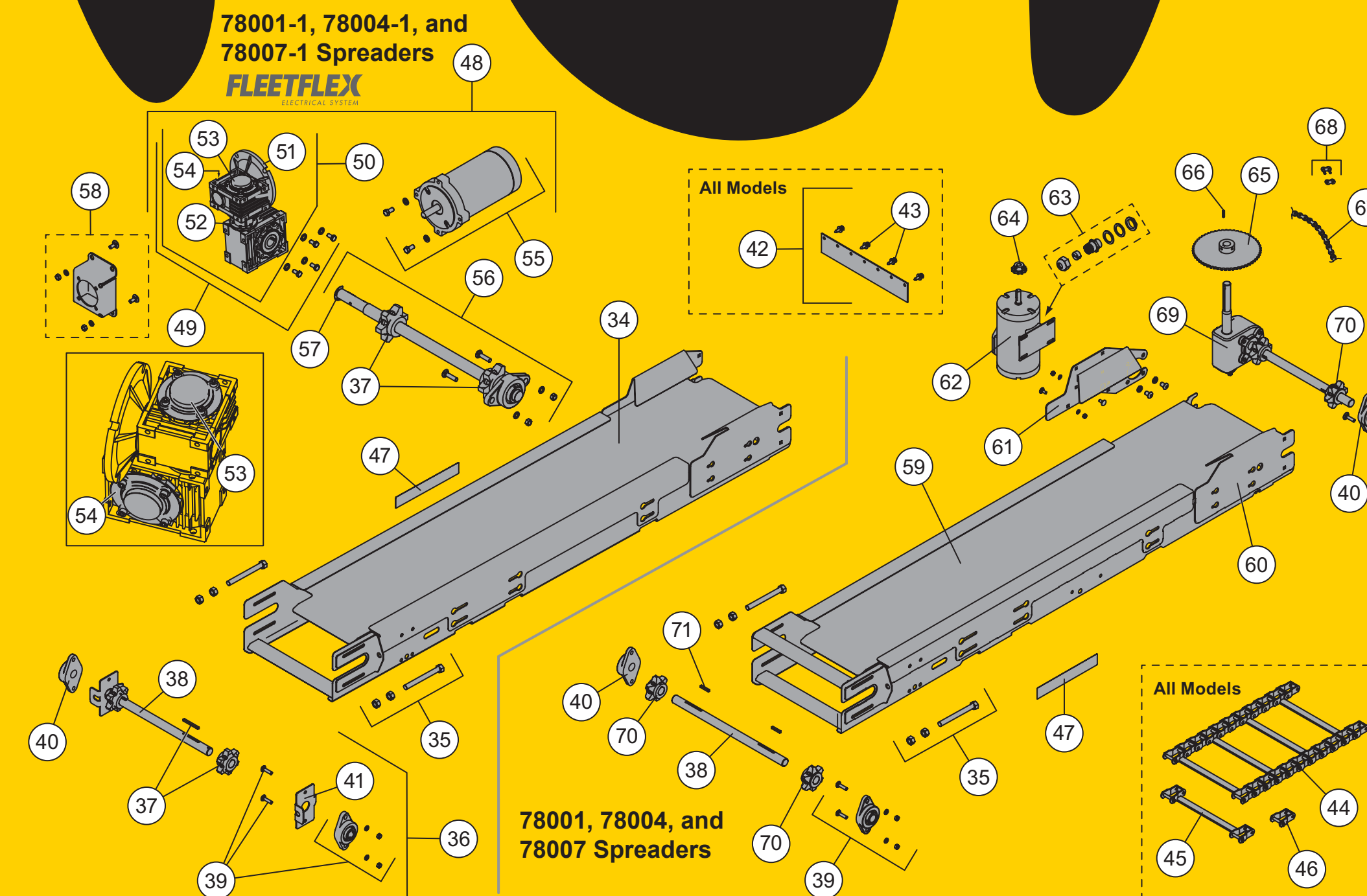


78001, 78004, and 78007 Spreaders



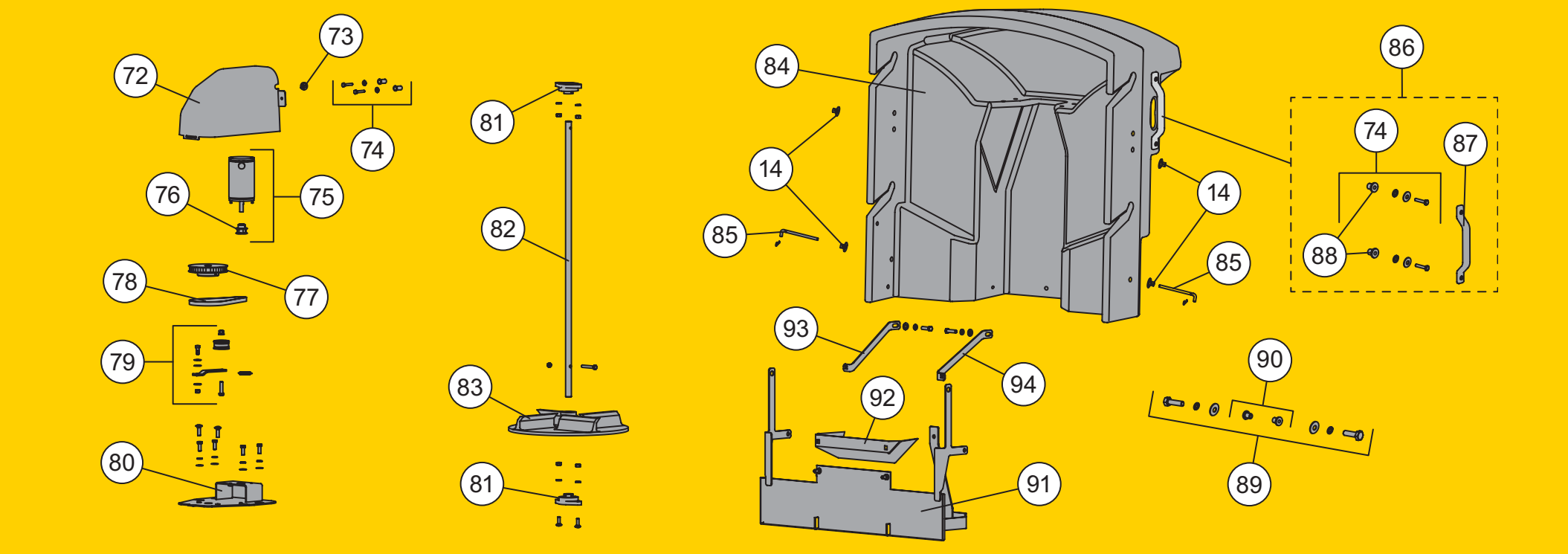
CAB CONTROLS

| Item | Part | Description | Item | Part | Description |
|------|-------|--|------|-------|----------------------------|
| 29 | 99533 | Cab Control Kit - 2-Knob FLEET FLEX System | 32 | 78246 | Dual Control Bracket Kit |
| 30 | 99773 | Cab Control 2-Knob | 33 | 78102 | Dual Control - Poly Hopper |
| 31 | 52345 | Cab Control Bracket Kit | | | |



SILL & DRIVE COMPONENTS

| Item | Part | Description | Item | Part | Description |
|------|---------|---|------|---------|---|
| 34 | 99752 | Sill 7" (78001-1, 78004-1, 78007-1 spreaders) | 53 | 86792 | Gear Box Cover Kit, Primary |
| | 99753 | Sill 8" (78001-1, 78004-1, 78007-1 spreaders) | 54 | 86799 | Gear Box Cover Kit, Secondary |
| 35 | 99073 | Tension Bolt Kit | 55 | 99085 | Motor Kit, Conveyor |
| 36 | 99480 | Idle Shaft Assembly, Kit | 56 | 99094 | Drive Shaft Kit |
| 37 | 99479 | 6-Tooth Sprocket Assembly | 57 | 330 | 1" Retaining Ring |
| 38 | 94351 | Idle Shaft | 58 | 99749 | Gear Box Mounting Plate Kit |
| 39 | 94953 | Spreader Bearing Kit | 59 | 78192 | Sill 7" (78001, 78004, 78007 spreaders) |
| 40 | 94536 | Bearing, 1-1/8 ID 2-Bolt Flange | | 78193 | Sill 8" (78001, 78004, 78007 spreaders) |
| 41 | 99532 | Bearing Alignment Plate | 60 | 78131 | Chain Guard (DS Rear) |
| 42 | 78266 | Chain Wiper Kit | 61 | 78132 | Chain Guard (PS Rear) |
| 43 | 99079 | Rivet Kit | 62 | 95755-2 | Motor, 12V DC 1/2 hp (w/Seal Kit) |
| 44 | 78076 | Pintle Chain 7" (99 link, 164.7") | 63 | 78201 | Seal Kit |
| | 94898 | Pintle Chain 8" (108 link, 179.7") | 64 | 95777 | Sprocket, #40 x 11T x 5/8 ID |
| 45 | 68492 | Conveyor Repair Bar w/Pins and Cotfers | 65 | 78057 | Sprocket, #40 x 55T x 1 ID |
| 46 | 68475 | Conveyor Repair Link w/Pins and Cotfers | 66 | 65174 | Machine Key 1/4 sq x 1-1/2 |
| 47 | 31594EN | Label - Warning/Caution, Spreaders | 67 | 78075 | #40 Chain with Master Link |
| 48 | 99091 | Electric Conveyor Drive Kit | 68 | 95894 | #40 Chain Master Link |
| 49 | 31509 | Gear Box Kit | 69 | 95567 | Gear Case 20:1 |
| 50 | 31098 | Gear Box, 10 x 10 2X Worm Gear | 70 | 65909 | Drive Sprocket 6T |
| 51 | 31101 | Motor Flange | 71 | 65174 | Machine Key 1/4 sq x 1-1/2 |
| 52 | 31102 | Connector Flange | | | |



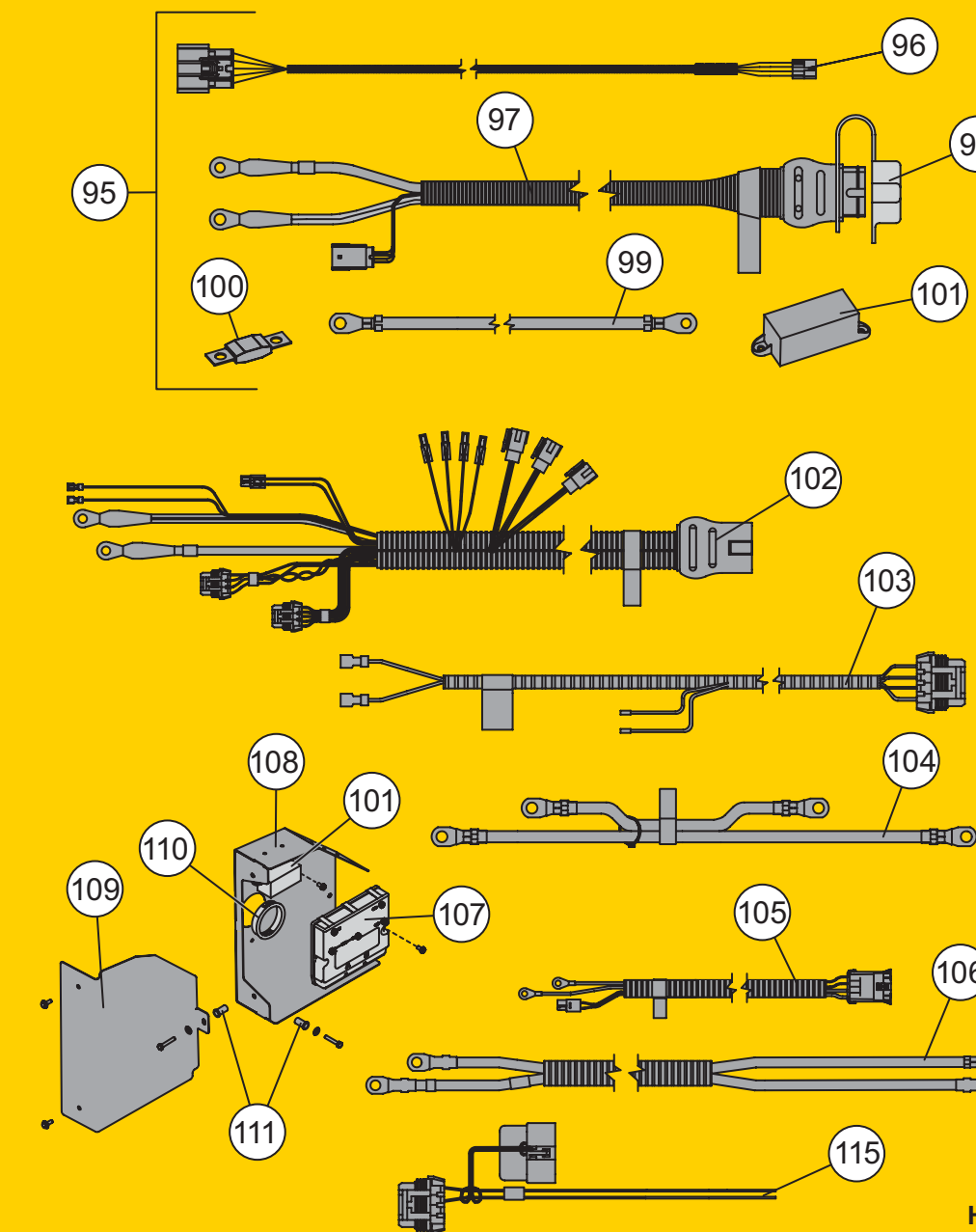
CHUTE & SPINNER ASSEMBLIES

| Item | Part | Description | Item | Part | Description |
|------|---------|---|------|---------|-----------------------------------|
| - | 99779 | Full Chute Assembly - 78001-1, 78004-1, 78007-1 Spreaders with FLEET FLEX Electrical System | 83 | 94424 | Spinner, 15-1/2 Poly |
| - | 78230-1 | Full Chute Assembly - 78001, 78004, 78007 Spreaders | 84 | 78123 | Chute Cover |
| 72 | 78287 | Chute Motor Cover | 85 | 78031 | Chute Attachment Pin Bag (2 pins) |
| 73 | 66130 | Grommet | 86 | 78247 | Chute Handle Kit |
| 74 | 78270 | 1/4 Well Nut Fastener Kit | 87 | 48921 | Counter-Bored Handle, Plastic |
| 75 | 78300 | Motor, 12V DC 1/3 hp w/Pulley | 88 | 78269 | 1/4 Well Nut (pkg of 2) |
| 76 | 93101 | 10-Tooth Cogged Belt Pulley | 89 | 78268 | 3/8 Well Nut Fastener Kit |
| 77 | 78066 | 40-Tooth Cogged Belt Pulley 3/4 Bore | 90 | 78267 | 3/8 Well Nut (pkg of 2) |
| 78 | 78285 | Gear Belt | 91 | 78130-1 | Spinner Guard |
| 79 | 78298 | Idler Kit | 92 | 78294 | Deflector |
| 80 | 78297 | Chute Motor Base Plate | 93 | 78302 | Brace, PS |
| 81 | 96167 | Pillow Block Bearing 3/4 Bore | 94 | 78301 | Brace, DS |
| 82 | 78283 | Spinner Shaft | ns | 78305 | Spinner Drive Service Kit 12V |

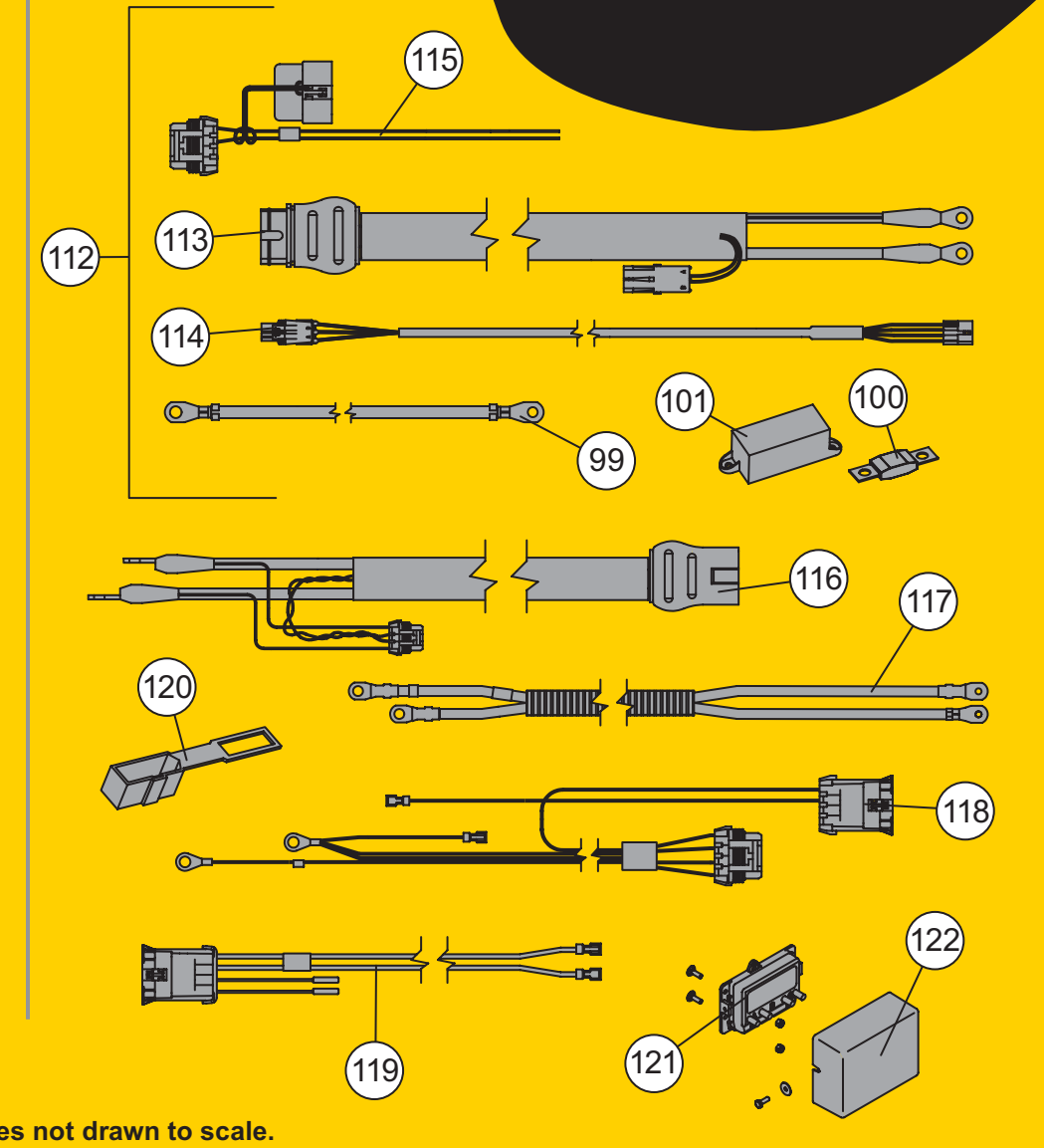
ns = not shown

78001-1, 78004-1, and 78007-1 Spreaders

FLEET FLEX



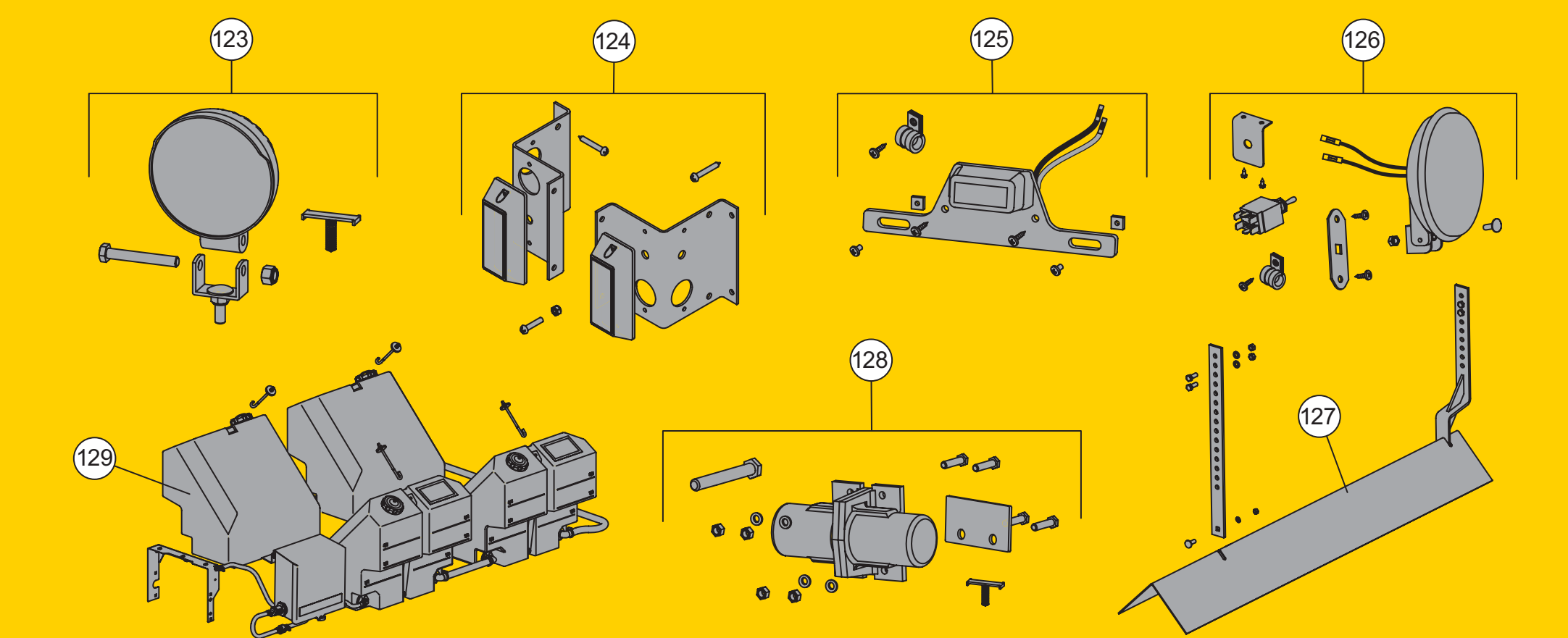
78001, 78004, and 78007 Spreaders



Harnesses not drawn to scale.

ELECTRICAL COMPONENTS

| Item | Part | Description | Item | Part | Description |
|------|-------|--|------|---------|---|
| 95 | 78402 | Vehicle-Side Harness Kit (78001-1, 78004-1, 78007-1) | 109 | 99745 | Electrical Enclosure Cover |
| 96 | 69902 | Vehicle Control Harness | 110 | 78434 | Snap-In Grommet |
| 97 | 76057 | Vehicle Cable Assembly w/Plug Cover | 111 | 78263 | Well Nut |
| 98 | 99759 | Plug Cover | 112 | 78204 | Vehicle-Side Harness Kit (78001, 78004, 78007) |
| 99 | 22511 | 22" Battery Cable - Red | 113 | 29217 | Vehicle Power Cable |
| 100 | 95836 | Fuse 100A | 114 | 29221 | Vehicle-Side Control Harness |
| 101 | 95837 | Isolated Stud Block/Fuse Holder | 115 | 78199 | CHMSL/License Plate Light Harness, Vehicle Side |
| 102 | 78417 | Hopper Harness Assembly | 116 | 48808 | Spreader Power Cable |
| 103 | 78412 | Cable Assembly - Spinner Motor, Chute | 117 | 78103 | Wiring - Module to Motor, 43" |
| 104 | 78394 | Cable Assembly - Module to Isolated Stud Block | 118 | 78104 | Wiring - Module to Spinner Connector |
| 105 | 78415 | Cable Assembly - Spinner Motor, Hopper | 119 | 78105 | Wiring - Spinner Connector to Spinner Motor |
| 106 | 78418 | Harness Assembly - Module to Conveyor Motor, 66" | 120 | 61548K | Plug Cover Kit |
| 107 | 52385 | 4-Post Spreader Module | 121 | 78178-1 | Control Module - Dual Motor |
| 108 | 95073 | Electrical Enclosure Body | 122 | 78108 | Module Cover |



ACCESSORIES

| Item | Part | Description | Item | Part | Description |
|------|----------|---|------|----------|--|
| 123 | 99505-1* | Primary Work Light Kit (incl. harness assemblies) | 127 | 78150 | Inverted V Kit, 7" Hopper |
| ns | 99732-1* | Secondary Work Light Kit (incl. harness assembly) | ns | 78120 | Inverted V Kit, 8" Hopper |
| 124 | 99766* | Strobe Light Kit (incl. harness assembly) | 128 | 99504-1* | Vibrator Kit - FLEET FLEX (incl. harness assemblies) |
| 125 | 78197 | License Plate Light Kit | ns | 78195† | Vibrator Kit (incl. harness & ground wires) |
| 126 | 78198† | Work Light Kit | ns | 68790† | Ratchet Tie-Down Kit |

| Item 129 Pre-Wet Kits | | | | | |
|-----------------------|-------|--------------------------------------|---|--------|---------------------------------|
| - | 76400 | Standard Pump Kit, On-Off System | - | 76425 | 50-gallon Tank Kit (2 x 25 gal) |
| - | 76420 | Deluxe Pump Kit, Full-Feature System | - | 76405† | Pre-Wet Pump Switch Kit |

* For 78001-1, 78004-1, and 78007-1 spreaders with FLEET FLEX electrical system.

† For 78001, 78004, and 78007 spreaders.

ns = not shown

Copyright © 2023 Douglas Dynamics, LLC. All rights reserved. This material may not be reproduced or copied in whole or in part, in any printed, mechanical, electronic, film, or other distribution and storage media, without the written consent of Fisher Engineering. Authorization to photocopy items for internal or personal use by Fisher Engineering outlets or spreader owner is granted.

Fisher Engineering reserves the right under its product improvement policy to change construction or design details and furnish equipment when so altered without reference to illustrations or specifications used. Fisher Engineering or the vehicle manufacturer may require or recommend optional equipment for snow removal. Do not exceed vehicle ratings with a spreader. Fisher Engineering offers a limited warranty for all spreaders and accessories. See separately printed page for this important information. The following are registered (®) or unregistered (™) trademarks of Douglas Dynamics, LLC: FISHER®, POLYCASTER™.



www.fisherplows.com