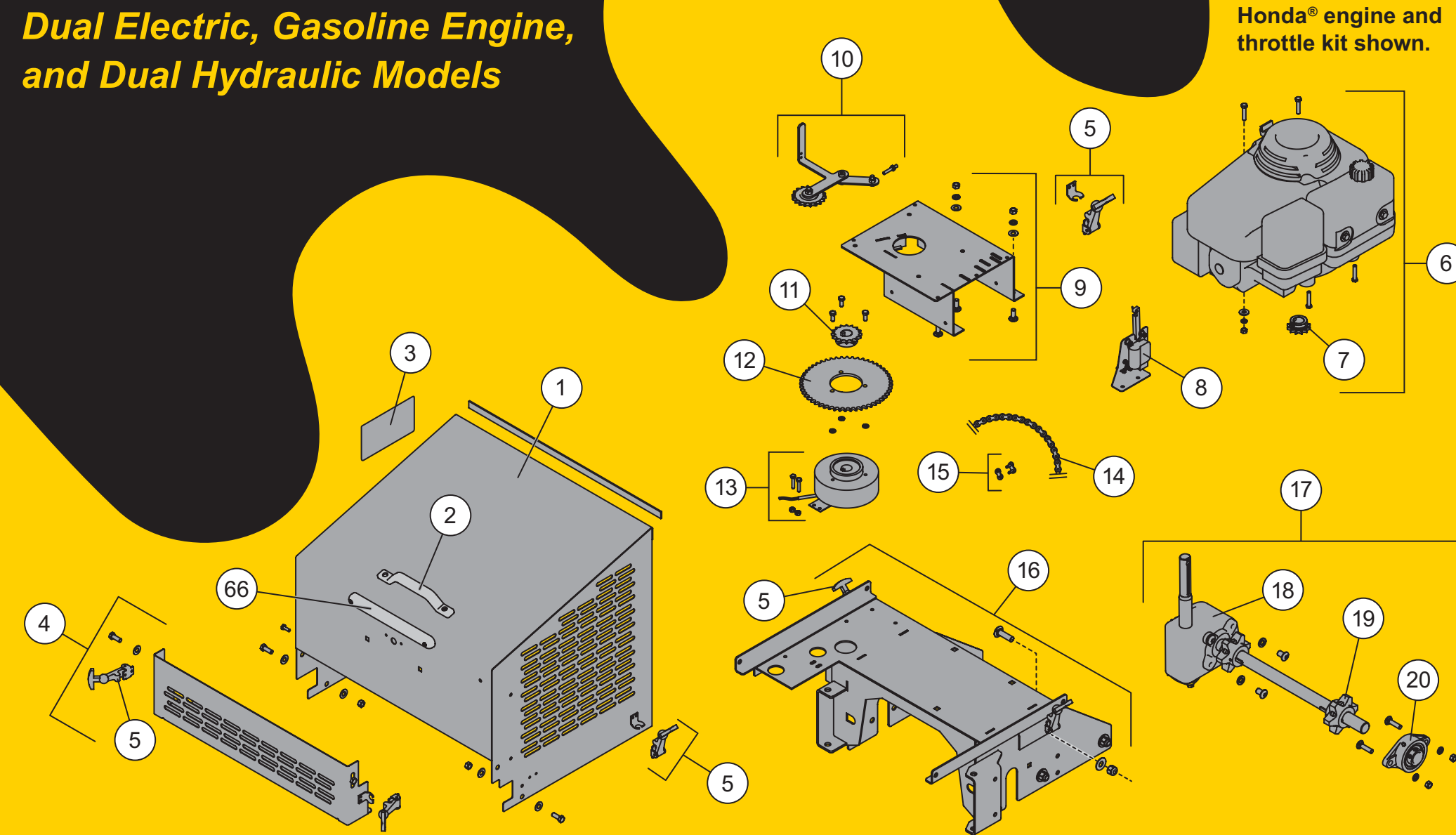


# STEEL-CASTER™

## HOPPER SPREADERS

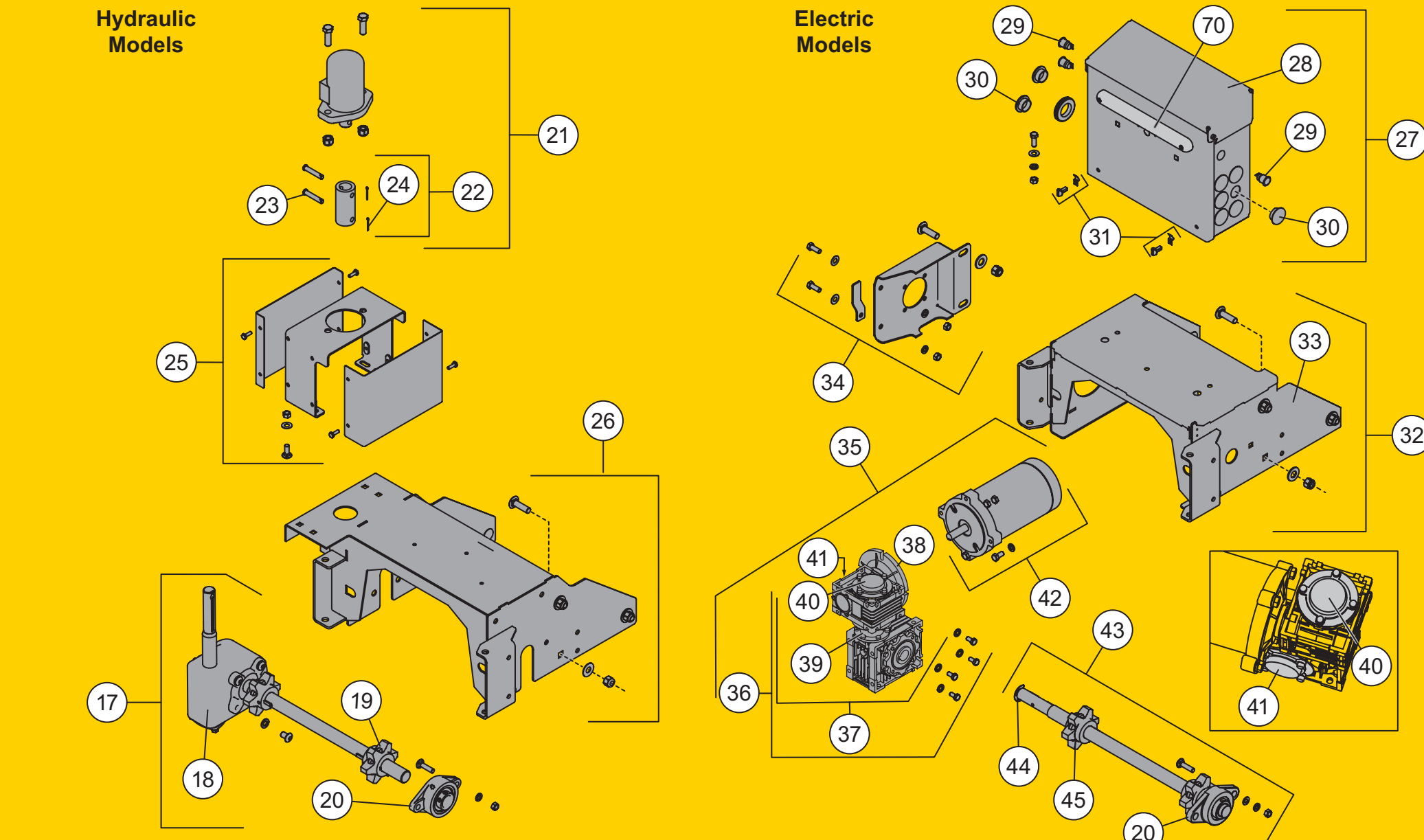
Dual Electric, Gasoline Engine, and Dual Hydraulic Models



### POWERGROUP & ENGINE COVER – Gas

Item	Part	Description	Item	Part	Description
1	96395	Engine Cover	10	96585	Chain Tensioner Kit
2	99098	Counter-Bored Plastic Handle	11	65181	Sprocket #40 x 16T x 1" ID
3	65097	Label – Warning, Gasoline	12	65209	Sprocket, Clutch, #40 x 52T
4	96394	Engine Cover Door Kit	13	99124	Electric Clutch Kit
5	65224	Rubber Strap Hold-Down Kit	14	96518	#40 Roller Chain w/Master Link
6	99145	Engine Kit – Honda	15	95894	#40 Chain Master Link
ns	99147	Engine Kit – Briggs & Stratton	16	99148	Powergroup Base – Gas
7	65214	Sprocket #40 x 12T x 1" ID	17	99117	Gear Box Assembly
8	69781	Throttle Control Motor Kit – Honda	18	95567	Gear Case
ns	69782	Throttle Control Motor Kit – Briggs & Stratton	19	65909	Drive Sprocket 6T
9	99128	Gas Engine Plate Kit	20	94536	Bearing 1.15 ID 2-Bolt Flange

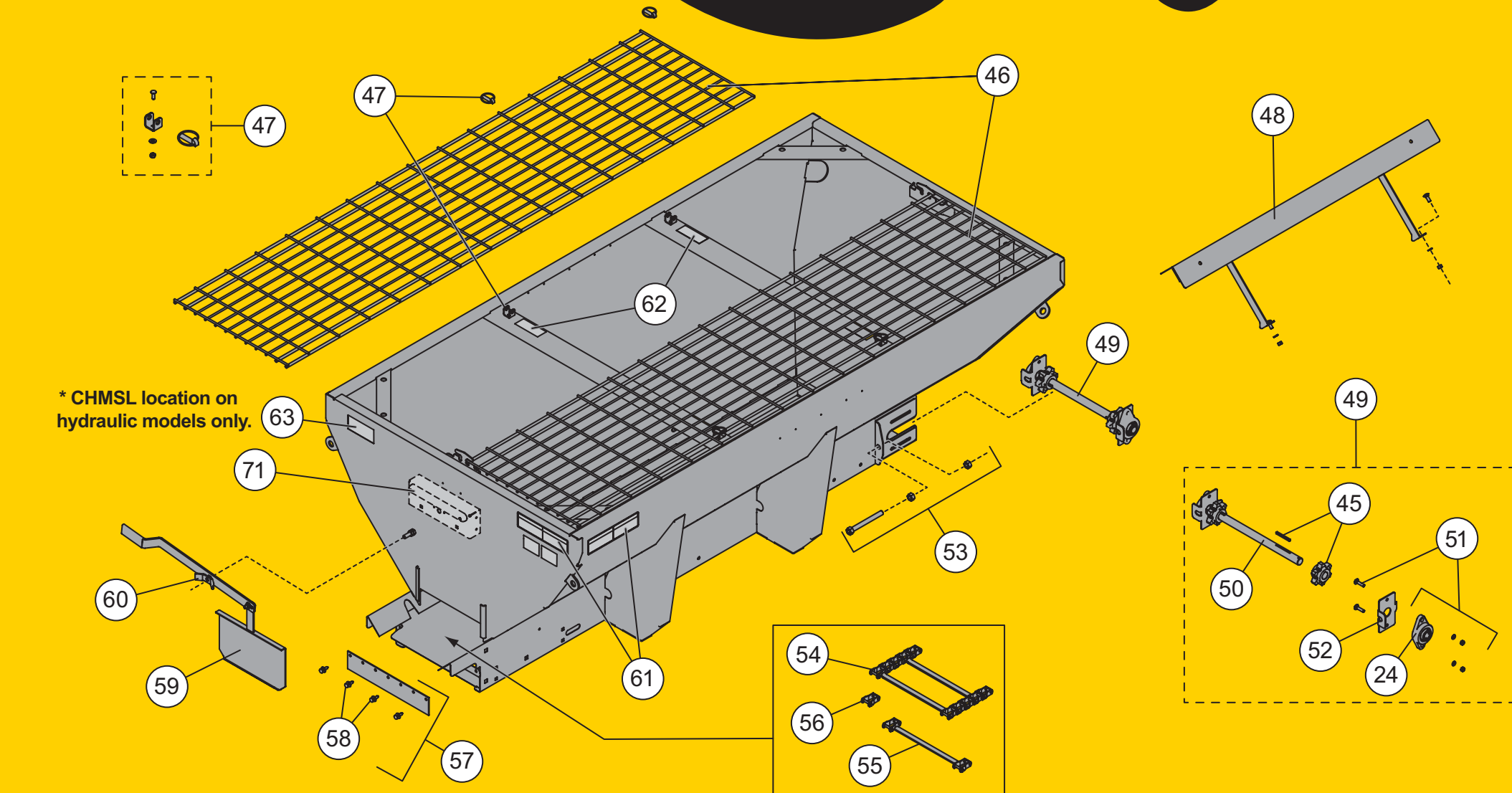
ns = not shown



### POWERGROUP – Hydraulic & Electric

Item	Part	Description	Item	Part	Description
21	99560	Hydraulic Motor Kit SH	33	99569	Electric Powergroup Mount Kit
22	96399	0.75 to 1.0 Coupler, Service	34	99089	Gear Box Bracket Kit
23	67147	3/8 x 2 Clevis Pin HT G5	35	99091	Electric Conveyor Drive Kit
24	91901	1/8 x 3/4 Cotter Pin	36	31549	Gear Box Kit
25	99558	Hydraulic Motor Mount Kit	37	31098	Gear Box 10 x 10 2X Worm Gear
ns	99559	Bolt Bag, Hydraulic Motor Mount	38	31101	Motor Flange
26	96543	Powergroup Base – Hydraulic	39	31102	Connector Flange
27	99077	Electrical Box Assembly	40	86792	Gear Box Cover Kit, Primary
28	99696	Electrical Box	41	86799	Gear Box Cover Kit, Secondary
29	99254	Switch, Push Button	42	99085	Conveyor Motor Kit
30	99195	Break-Thru Plug	43	99094	Drive Shaft Kit – Electric
31	99570	Electrical Box Latch Kit (pkg of 2)	44	330	1" Retaining Ring
32	99092	Electric Powergroup Mount Kit	45	99479	6-Tooth Sprocket Assembly

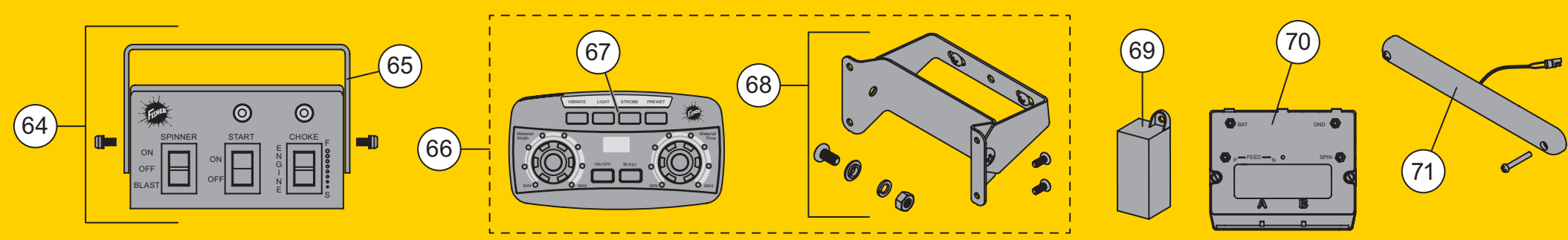
ns = not shown HT = Heat Treated G = Grade



### HOPPER COMPONENTS

Item	Part	Description	Item	Part	Description
46	99515	Top Screen – 7' (electric model only)	54	94898	Pintle Chain (108 links) – 7' & 8' Hoppers
	99516	Top Screen – 8'	68474	68474	Pintle Chain (123 links) – 9' & 10' Hoppers
	99517	Top Screen – 9' Narrow	55	68492	Conveyor Repair Bar w/Pins & Cotter
	96518	Top Screen – 9' Wide	56	68475	Conveyor Repair Link w/Pins & Cotter
	99519	Top Screen – 10' (gas & hydraulic models only)	57	78266	Wiper Replacement Kit
47	99578*	Screen Attachment Kit	58	99079	Rivet Kit, Steel Hopper Wiper
ns	99777	Rubber Grip, Wing Bolt (pkg of 2)	59	99083	Feed Gate Assembly w/Wing Nut
48	99482	Inverted V Kit, Small – 7' & 8' Hoppers	ns	99523	Rubber Grip, Feed Gate Handle
ns	99119	Inverted V Kit, Large – 9' & 10' Hoppers	60	65218	1/2-13 Wing Nut G5
49	99480	Idler Shaft Assembly Kit	61	31594EN	Label – Warning/Caution, Spreaders
50	94351	Idler Shaft	62	67272	Label – Caution, Do Not Lift
51	94953	Spreader Bearing Kit	63	11100	Label – Warning, Rear Camera
52	99765	Bearing Alignment Plate	ns	68790	Ratchet Strap Kit (pkg of 4)
53	99073	Tensioner Bolt Kit			

\*For hoppers with single, center top screen support bar, use two PN 96038 wing bolts per side in place of the Item 47 kit.  
ns = not shown G = Grade



### CONTROLS/ELECTRICAL/CHMSL

Item	Part	Description	Item	Part	Description
64	98955	Cab Control 2-Light w/Bracket – Gas	ns	99688	Harness Assembly, Vehicle – Hydraulic
65	65516	Control Bracket Kit – Gas	ns	78402	Vehicle-Side Harness Kit – Electric
66	99533	Cab Control Kit – Electric	ns	69902	Vehicle Control Harness – Electric
67	99773	Cab Control 2-Knob – Electric	ns	76057	Vehicle Harness Assembly – Electric
68	52345	Cab Control Bracket Kit – Electric	ns	22511	22" Battery Cable (red) – Electric
69	95837	Isolated Stud Block/Fuse Holder – Electric	ns	69906	Hopper Harness Assembly – Electric
70	52385	Spreader Module 4-Post – Electric	ns	78103	Conveyor Motor Cable – Electric
71	99080	CHMSL Kit – All Models	ns	78361	Cable Assembly, Spinner Motor – Electric
ns	67526	Control Harness 12V Positive (red) – Gas	ns	78105	Cable Assembly, Chute Spinner Motor – Electric
ns	69922	Control Harness, Ground (black) – Gas	ns	69939	10-Pin Connector w/Switch Connector – Electric
ns	69921	Vehicle Harness, 11-Pin – Gas	ns	78385	Cable, Module to Isolated Stud Block – Electric
ns	63726	Vehicle Harness Repair Kit, 11-Pin – Gas	ns	99759	Plug Cover – Electric
ns	69923	Spreader Harness 11-Pin – Gas	ns	99772	Motor Terminal Cover (pkg of 2) – Electric
ns	99736	Harness Assembly, Spreader – Hydraulic	ns	95836	Fuse, 100A

ns = not shown

### LOGOS/ACCESSORIES

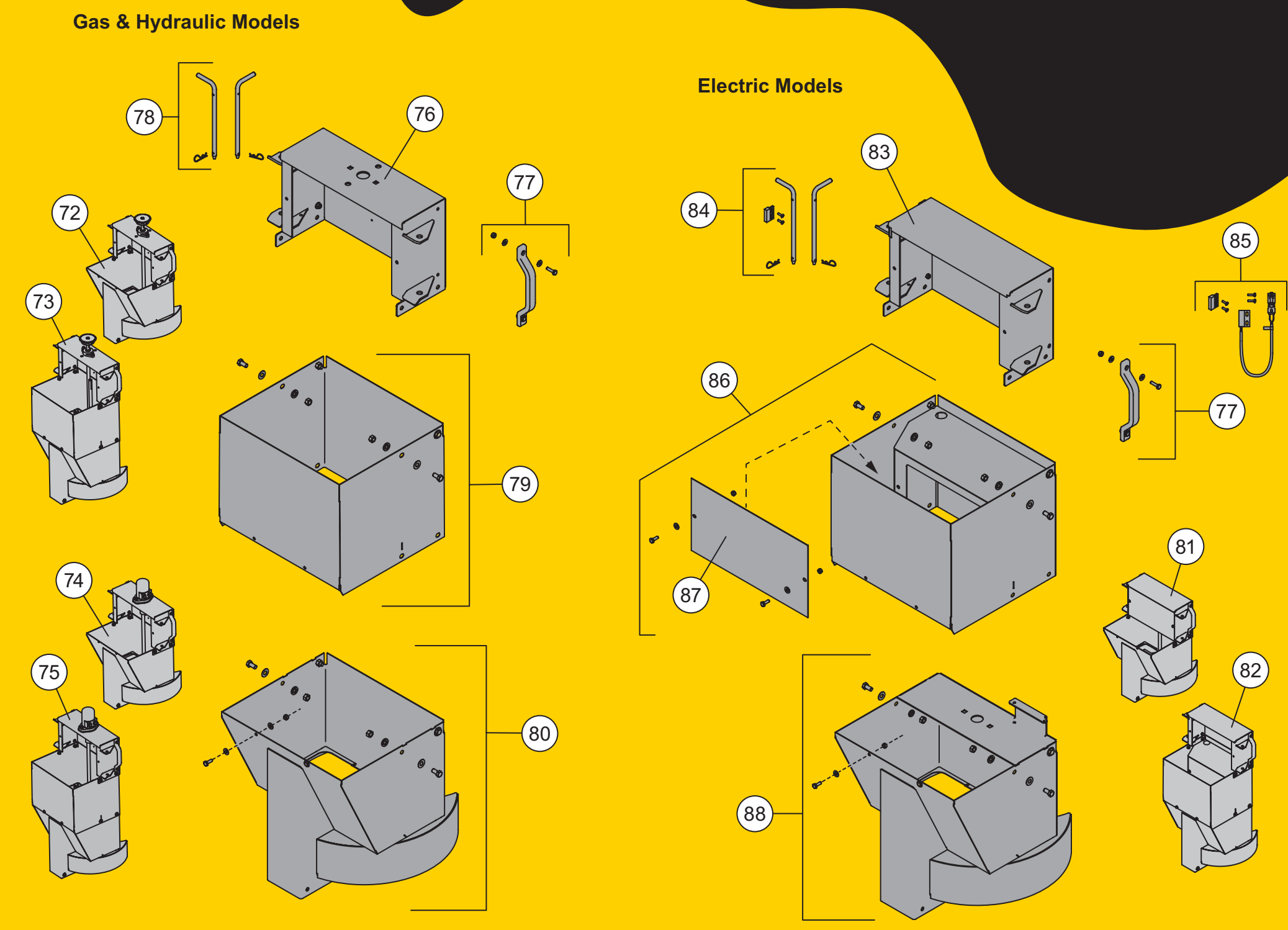
Part	Description	Part	Description	Part	Description
96994	Side Logo, STEEL-CASTER™ Large	65605-3	Battery Tray Kit – Gas	92532	Truck Mount Kit, 2 Bars – 8' Hopper
96992	Side Logo, STEEL-CASTER Small	95245	Dual-Flow Control Valve – Hydraulic	92533	Truck Mount Kit, 3 Bars – 9', 10' Hoppers
20238	Rear Logo, FISHER® Splatter Large	99505-1*	Primary Work Light Kit	<b>PRE-WET KITS</b>	
96991	Rear Logo, FISHER Splatter Small	99732-1*	Secondary Work Light Kit	76400	Standard Pump Kit, On-Off System
99629	Acc. Bracket and Harness Kit – Gas	99494*	Strobe Light Kit	76420	Deluxe Pump Kit, Full-Feature System
99627	Acc. Enclosure and Harness Kit – Hydr.	6668*	Vibrator Kit	76405	Pre-Wet Pump Switch Kit
99126	Starter Relay Kit – Gas	99488	Hopper Side Extension Kit	76425	50-Gallon Tank Kit (2 x 25 gal)
94680	Vehicle Battery Harness Kit – Gas	99690	Tie-Down Kit SH Chain	76450	100-Gallon Tank Kit (2 x 50 gal)
99686	License Plate Kit	8291K	Plug Cover Kit		

\* Requires installation of 99629 Accessory Bracket and Harness Kit (gas models) or 99627 Accessory Enclosure and Harness Kit (hydraulic models).

Full parts lists available at [www.fisherplows.com](http://www.fisherplows.com):  
Lit. Nos. 43759 (electric), 43760 (gas), 43761 (hydraulic), 99594 (electric), 99595 (gas), and 99618 (hydraulic).

Copyright © 2023 Douglas Dynamics, LLC. All rights reserved. This material may not be reproduced or copied, in whole or in part, in any printed, mechanical, electronic, film, or other distribution and storage media, without the written consent of Fisher Engineering. Authorization to photocopy items for internal or personal use by Fisher Engineering outlets or spreader owner is granted.  
Fisher Engineering reserves the right under its product improvement policy to change construction or design details and furnish equipment when so altered without reference to illustrations or specifications used. Fisher Engineering or the vehicle manufacturer may require or recommend optional equipment for snow removal. Do not exceed vehicle ratings with a spreader. Fisher Engineering offers a limited warranty for all spreaders and accessories. See separately printed pages for this important information. The following are registered (™) or unregistered (®) trademarks of Douglas Dynamics, LLC: FISHER®, STEEL-CASTER™.

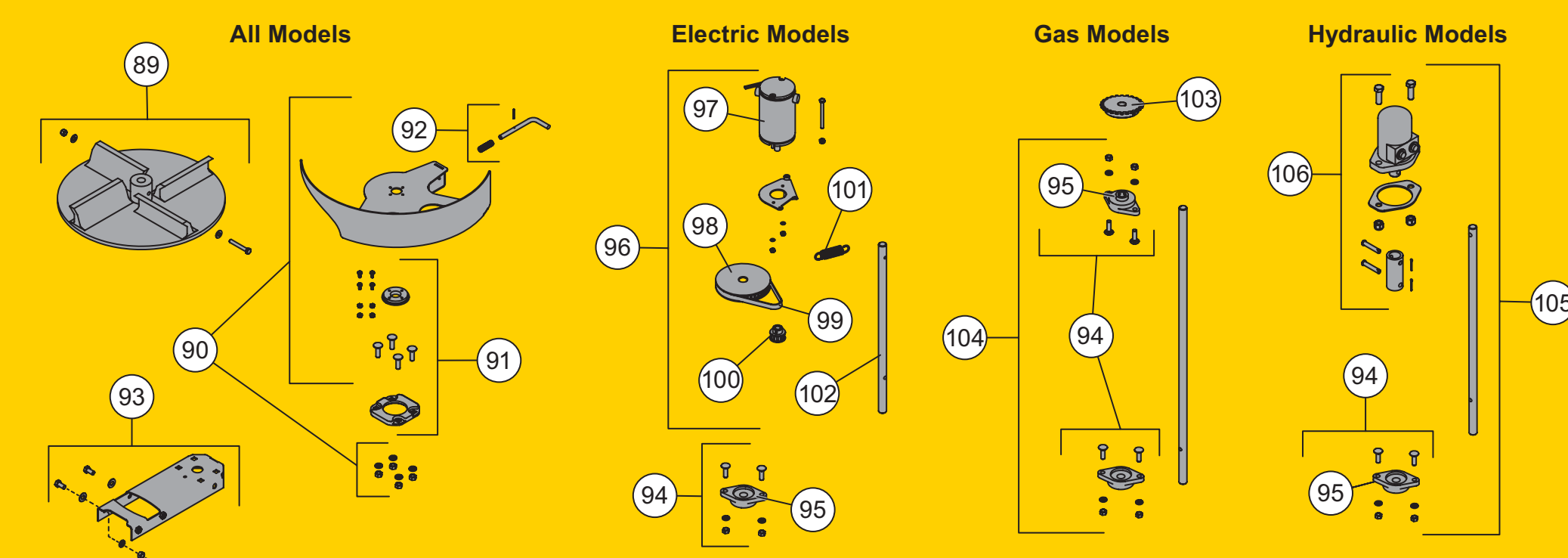
**Fisher Engineering**  
50 Gordon Drive  
Rockland, ME 04841  
[www.fisherplows.com](http://www.fisherplows.com)



### CHUTE ASSEMBLY

Item	Part	Description	Item	Part	Description
72	96545*	Short Chute Assembly – Gas	ns	99619	Chute Extension Kit – Gas (accessory only)
73	99141*	Long Chute Assembly – Gas	ns	99698	Chute Extension Kit – Hydraulic (accessory only)
74	99563*	Short Chute Assembly – Hydraulic	81	99132*	Short Chute Assembly – Electric
75	99564*	Long Chute Assembly – Hydraulic	82	99096*	Long Chute Assembly – Electric
76	96385	Chute Upper Section	83	96386	Chute Upper Section
77	99098	Handle Kit	84	99613†	Chute Attachment Kit – Electric
78	99742	Chute Attachment Kit – Gas & Hydraulic	85	99568	Magnetic Chute Interlock Kit
79	99531†	Chute Middle Section Kit	86	99139†	Chute Middle Section/Extension Kit – Electric
80	99554	Chute Lower Section Kit	87	99207	Chute Motor Cover
ns	99557	Bolt Bag – Chute Lower Section	88	99137	Chute Lower Section Kit

\* Includes spinner and shutter assemblies, shown separately. † Includes magnetic actuator switch. ‡ Used in long chute assembly only.  
ns = not shown



### SPINNER & SHUTTER ASSEMBLY

Item	Part	Description	Item	Part	Description
89	99485	Poly Spinner Kit	98	78066	40-Tooth Cogged Belt Pulley 3/4 Bore
90	99135	Shutter Replacement Kit	99	M1355	Spinner Drive Belt
91	96504	Chute Shutter Bearing Kit	100	93101	10-Tooth Pulley, Drive Gear
92	96505	Shutter Lock Pin Kit	101	99776	Spinner Motor Spring
93	96392	Shutter Bearing Support Kit	102	99228	Electric Spinner Shaft
ns	96529	Bolt Bag – Shutter Bearing Support Kit	103	65193	Sprocket #40 24T 3/4 ID w/Set Screws
94	96501	Bearing Kit	104	99573	Chute Bearing Kit, Short Spinner Shaft – Gas
95	96167	Pillow Block Bearing 3/4 Bore	96544	Chute Bearing Kit, Long Spinner Shaft – Gas	
96	96506	Chute Drive Service Kit – Electric	99562	Chute Bearing Kit, Short Spinner Shaft – Hydraulic	
ns	99614	Bolt Bag, Chute Service Kit	99561	Chute Bearing Kit, Long Spinner Shaft – Hydraulic	
97	93100	Spinner Motor, 12V 1/3 hp	99560	Hydraulic Motor Kit, Spinner	

ns = not shown