



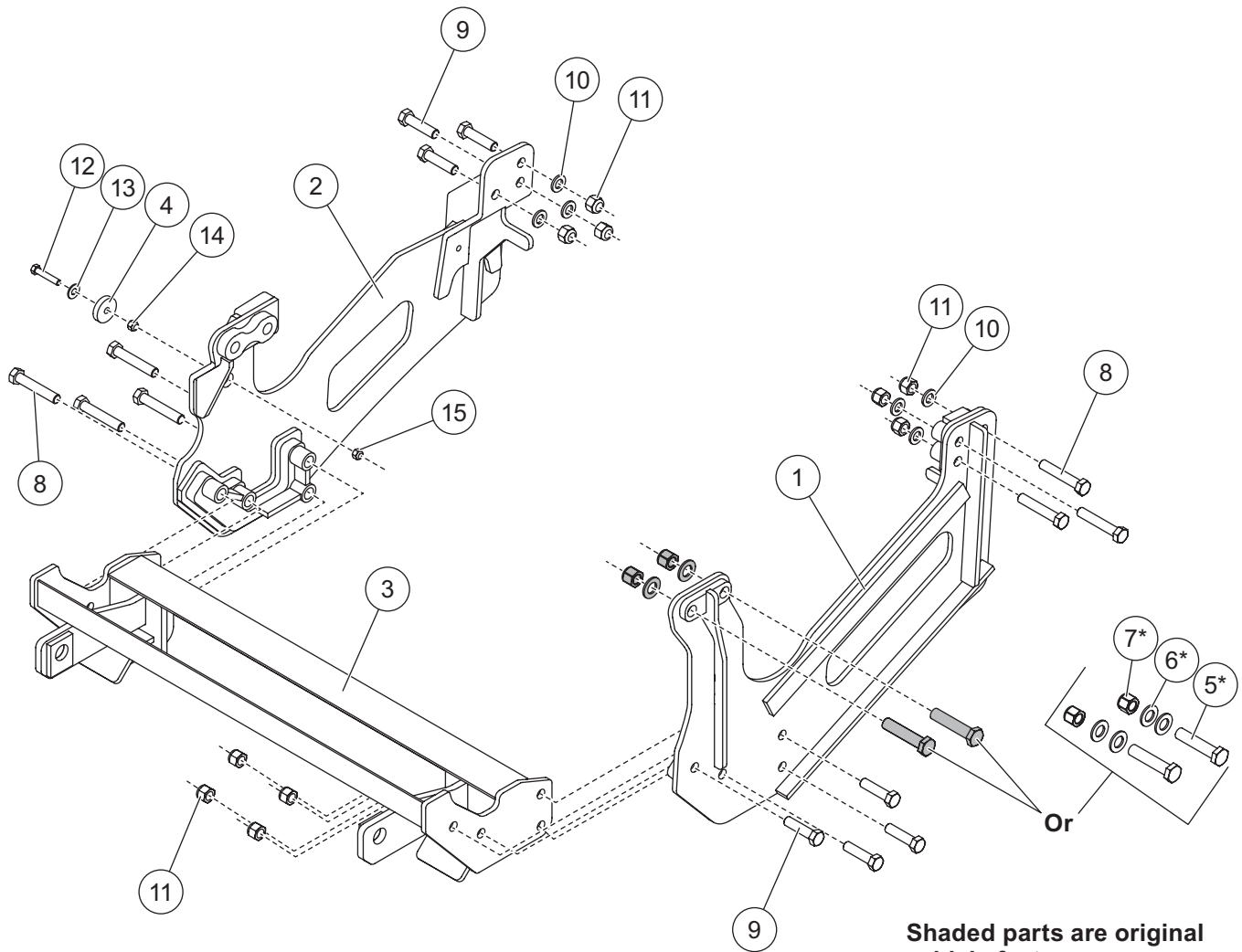
# Minute<sup>2</sup> SYSTEM

## MOUNT KIT

Hino 200 Series

2013 - \_\_\_

### Parts List



# 77105

77105 Mount Kit							
Item	Part	Qty	Description	Item	Part	Qty	Description
1	76700	1	Plate Assembly DS	4	76702	1	Spacer
2	76701	1	Plate Assembly PS	ns	76705	1	Bolt Bag
3	76703	1	Mount				
76705 Bolt Bag							
5*		4	3/4-10 x 3-1/2 Hex Cap Screw G8	11		14	5/8-11 Hex Locknut GB
6*		6	3/4 Hardened Flat Washer	12		1	3/8-16 x 2 Hex Cap Screw G5
7*		4	3/4-10 Hex Locknut GB	13		1	3/8 Flat Washer, Type A Wide
8		7	5/8-11 x 3-1/2 Hex Cap Screw G5	14		1	3/8-16 Toplock Nut GR CZ
9		7	5/8-11 x 2-1/2 Hex Cap Screw G5	15		1	3/8-16 Hex Locknut GB
10		6	5/8 Hardened Flat Washer Type 1				
ns = not shown				G = Grade			

\* For more information, see Installation Instructions.

Copyright © 2018 Douglas Dynamics, LLC. All rights reserved. This material may not be reproduced or copied, in whole or in part, in any printed, mechanical, electronic, film, or other distribution and storage media, without the written consent of Fisher Engineering. Authorization to photocopy items for internal or personal use by Fisher Engineering outlets or snowplow owner is granted.

Fisher Engineering reserves the right under its product improvement policy to change construction or design details and furnish equipment when so altered without reference to illustrations or specifications used. Fisher Engineering or the vehicle manufacturer may require or recommend optional equipment for snow removal. Do not exceed vehicle ratings with a snowplow. Fisher Engineering offers a limited warranty for all snowplows and accessories. See separately printed page for this important information. The following are registered (®) trademarks of Douglas Dynamics, LLC: FISHER®, Minute Mount® 2.

Printed in U.S.A.