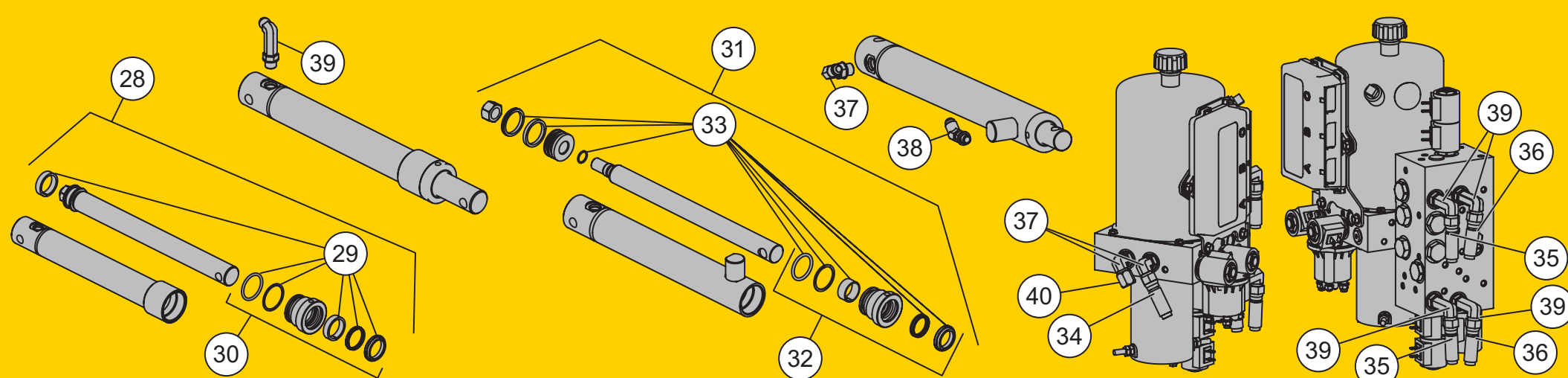


BLADE ASSEMBLY

Item	Description	Part		Item	Description	Part	
		SS	MS			SS	MS
1	Moldboard Kit, SS - DS	79714	-	14	Moldboard Fasteners Kit	43289	43890
1A	Moldboard, Frame, Base Angle, Spring Assy - DS	-	79724	15	Label - Warning/Caution, Snowplows	-	59900
2	Moldboard Kit, SS - PS	79715	-	16	Label - Attach/Detach, Minute Mount® 2	-	27451
2A	Moldboard, Frame, Base Angle, Spring Assy - PS	-	79725	17	Label - Logo, FISHER® Splatter	-	20238
3	Frame, Base Angle, Spring Assembly - DS	79755	-	18	Label - Logo, EZ-V®	-	72955
4	Frame, Base Angle, Spring Assembly - PS	79756	-	19	Label - Logo, STORM GUARD™	-	40986
5	Base Angle - DS	-	79731	ns	Label Replacement Kit	-	42490
6	Base Angle - PS	-	79732	20	Pivot Pin	-	51702
7*	Cutting Edge Kit, Complete (3/8")	-	79982	21	1 x 2-3/4 Clevis Pin w/Cotter	-	27241
8	Cutting Edge, One Side (3/8")	-	44896-1	22	Removable Spring Assembly	-	21452
9	Center Cutting Edge Kit (3/8") w/Fasteners	-	79977	23	Shoulder Bolt w/Locknut	-	40905
10	Center Cutting Edge (3/8") - DS	-	79972	24	Removable Spring Bar	-	21450
11	Center Cutting Edge (3/8") - PS	-	79973	25	1/4 x 1-1/4 Pin	-	20181
12	Flexible Blade Guide Set - 26"	-	27195	26	Removable Spring Disc	-	20191
13	Snow Control Kit	-	79733	27	Trip Spring	-	5323

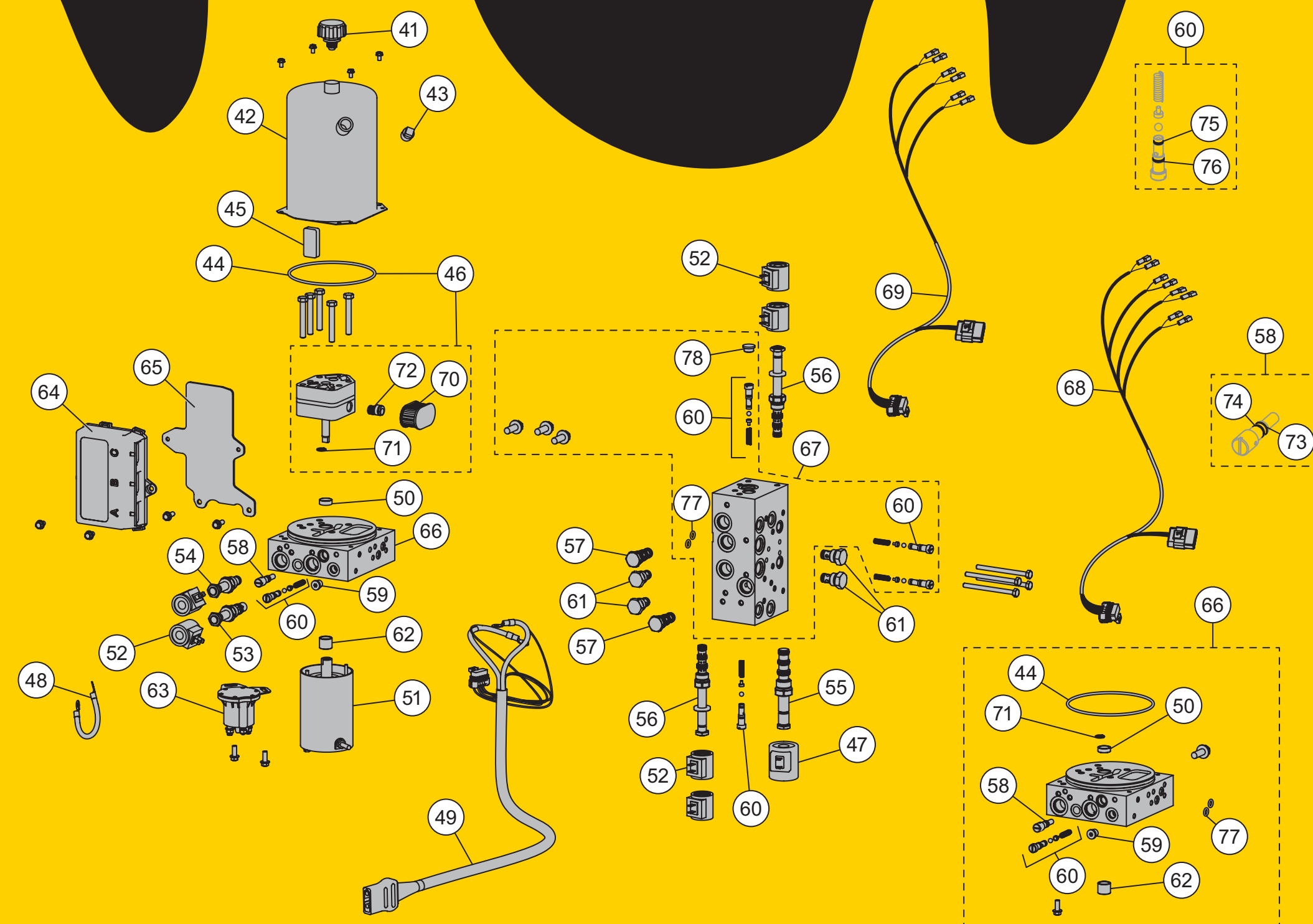
MS = Mild Steel ns = not shown SS = Stainless Steel



RAMS, HOSES & FITTINGS

Item	Part	Description	Item	Part	Description
28	77423	Lift Ram Assembly 1-1/4 x 8-5/8	35	56710	Hose, 1/4 x 32 w/F JIC Ends
29	77429	Gland Assembly 1-1/4	36	56599	Hose, 1/4 x 36 w/F JIC Ends
30	77433	Seal Kit 1-1/4 Ram	37	56615-1	Elbow, 90° - 6 M JIC/-6 M ORB
31	77426	Wing Ram Assembly 1-1/2 x 12 DA	38	41093	Elbow, 45° - 6 M JIC/-4 M ORB
32	52558	Gland Assembly 1"	39	44361	Elbow, Extra Long 90° - 6 M JIC/-6 M ORB
33	52557	Seal Kit 1-1/2 Ram	40	44346	Cap, -6 F JIC
34	56591	Hose, 1/4 x 42 w/F JIC Ends	ns	56823	Hose Wrap

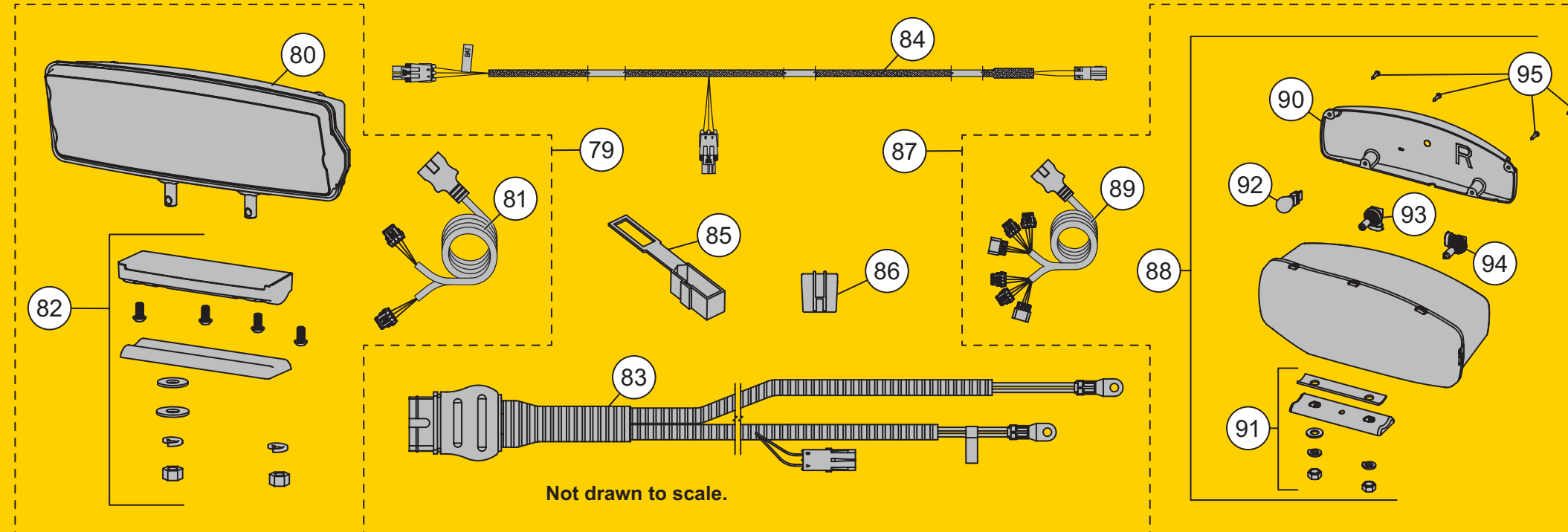
F = Female ns = not shown M = Male



HYDRAULIC UNIT

Item	Part	Description	Item	Part	Description
41	21727-2	Breather Pressure Control	ns	64596-1	Sleeve Bearing & Shaft Seal Kit
42	77394	Reservoir Kit	63	52290	Motor Relay
43	92079	Plug, Square 3/8 NPTF	64	52292-2	Plow Module
44	66519	O-Ring 2-250	65	52293-1	Module Plate
45	73897	Magnet	66	77396	Primary Manifold w/o Valves
46	52553	Pump Kit	67	77397	Secondary Manifold w/o Valves
47	84901	Coil 10 w/Spades	68	52215	Plow Control Harness, 4-Coil
48	29071	Cable Assembly, 8"	69	52217	Plow Control Harness, 3-Coil
49	42015	Cable Assembly, Plow	70	26781-4	Suction Filter
50	66515	Pump Shaft Seal	71	56274	O-Ring -013
51	48543-1	Motor Assembly, 3"	72	10887	Hydraulic Pump Inlet Fitting
52	7639K-2	Coil w/Spade Terminals	73	48239	O-Ring -106
53	44331	Valve, SVCV08-20 w/Nut	74	48240	Back-Up Ring -106
54	7634K-2	Valve, 2-Way w/Nut	75	55371	O-Ring -008
55	84900	Valve, 4-Way SV10-43 w/Nut	76	25731	O-Ring -010
56	52285	Valve, 4-Way, 3-Position Closed Center	77	43818	O-Ring -109
57	77391	Valve, PO Check	78	56808	Plug
58	48517	Quill	ns	52298-2	O-Ring Kit (no O-rings for valves)
59	44344	Plug, Hex Socket -4 M ORB	ns	49258-2	Seal Kit, 2-Way Valves
60	7629K-4	Relief Valve Kit (2 sets)	ns	49259-2	Seal Kit, 3-Way and 4-Way Valve
61	84934	Check Valve	ns	84909	Seal Kit, Size 10, 3-Way and 4-Way Valve
62	56364	Bearing Sleeve			

ns = not shown M = Male



ELECTRICAL COMPONENTS & HEADLAMPS

Item	Part	Description	Item	Part	Description
79	72525	Headlamp Kit LED	87	38800	Headlamp Kit H9/H11 (pair)
80	39901	Headlamp Service Kit LED - DS	88	38802	Headlamp Service Kit H9/H11 - PS
ns	39902	Headlamp Service Kit LED - PS	ns	38801	Headlamp Service Kit H9/H11 - DS
81	72548	Harness Service Kit LED	89	38807	Harness Service Kit H9/H11
82	39903	Mounting Hardware Kit LED	90	38803	Rear Cover Kit H9/H11 - PS
ns	72512	LED Harness Connector Cover (pkg of 2)	ns	38812	Rear Cover Kit H9/H11 - DS
83	72527	Vehicle Battery Cable	91	38804	Mounting Hardware Kit H9/H11
84	28587	Vehicle Control Harness	92	-	Park/Turn Bulb (trade no. 4157NAK)
85	61548K	Plug Cover Kit	93	38811	Headlamp Bulb Service Kit H11
86	29998	Fuse Cover (pkg of 5)	94	38809	Headlamp Bulb Service Kit H9
ns	56099	Dielectric Grease	95	38808	Cover Screws Service Kit H9/H11

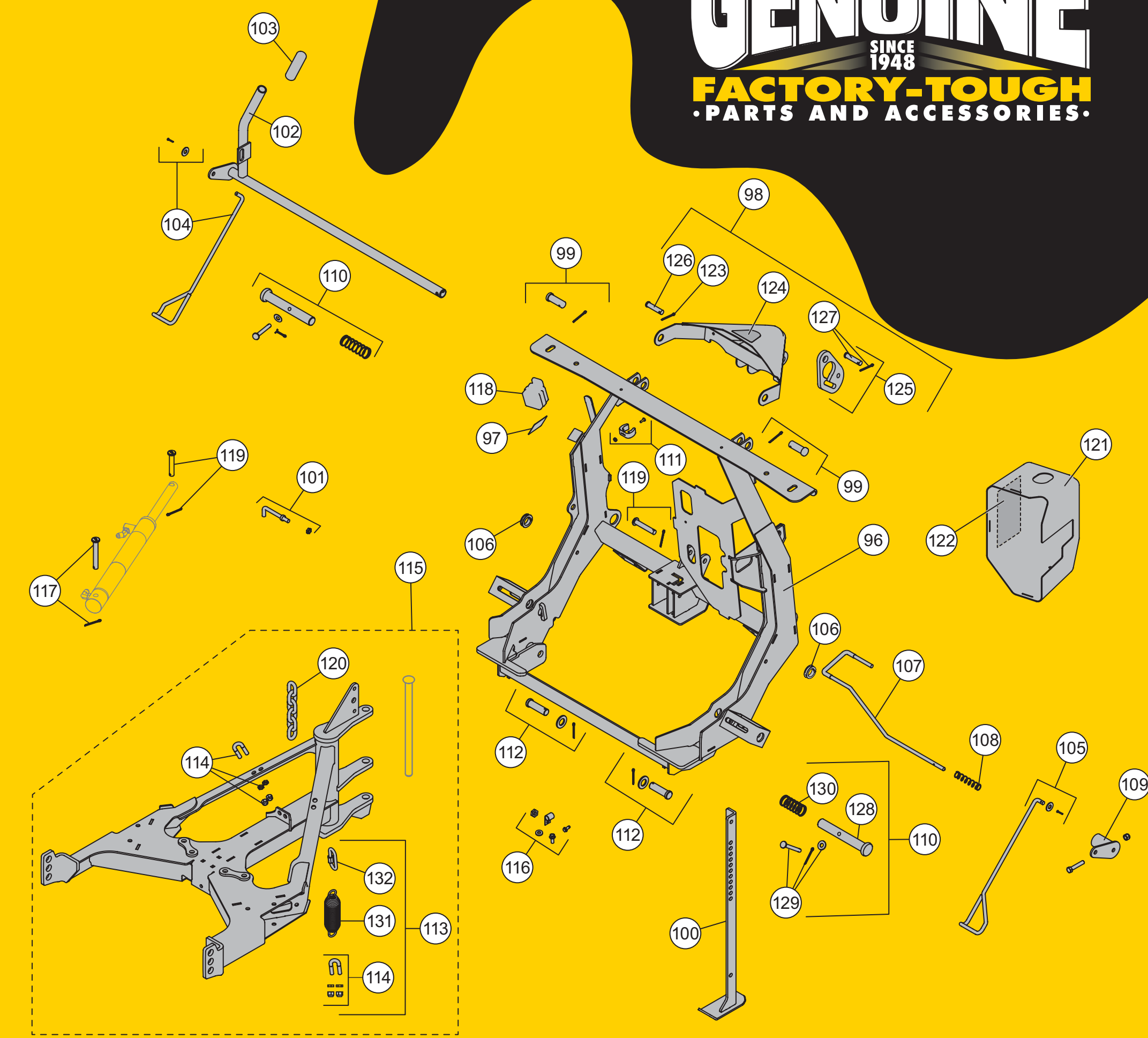
ns = not shown

Full parts lists available at www.fisherplows.com: Lit. No. 74915

Copyright © 2022 Douglas Dynamics, LLC. All rights reserved. This material may not be reproduced or copied, in whole or in part, in any printed, mechanical, electronic, film, or other distribution and storage media, without the written consent of Fisher Engineering. Authorization to photocopy items for internal or personal use by Fisher Engineering outlets or snowplow owner is granted.

Fisher Engineering reserves the right under its product improvement policy to change construction or design details and furnish equipment when so altered without reference to illustrations or specifications used. Fisher Engineering or the vehicle manufacturer may require or recommend optional equipment for snow removal. Do not exceed vehicle ratings with a snowplow. Fisher Engineering offers a limited warranty for all snowplows and accessories. See separately printed page for this important information. The following are registered (®) or unregistered (™) trademarks of Douglas Dynamics, LLC: EZ-V®, FISHER®, Minute Mount® 2, SECURITY GUARD™, STORM GUARD™.

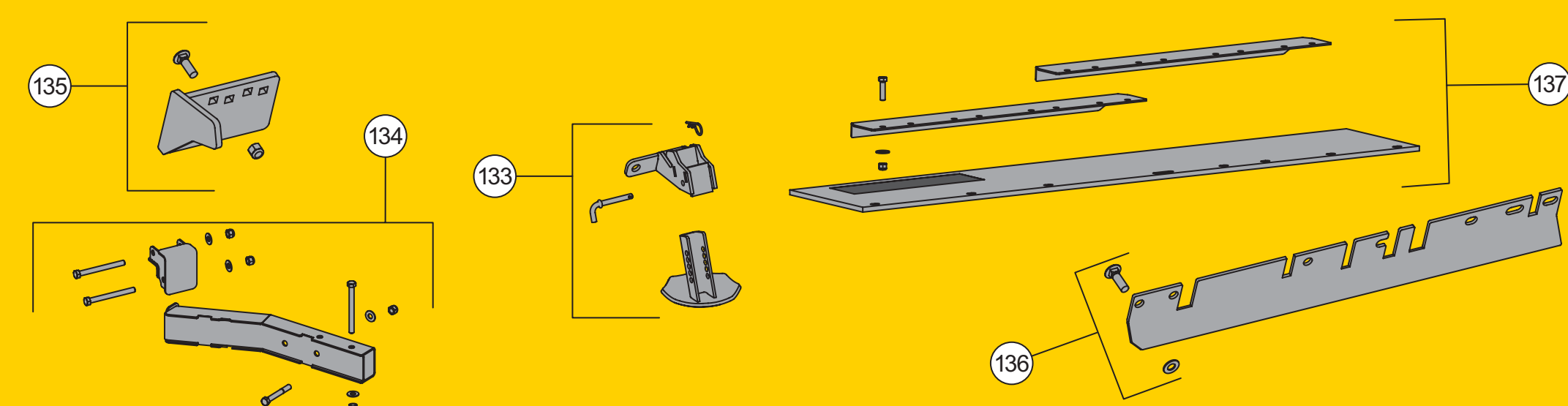
Lit. No. 76719, Rev. 03 Printed in U.S.A. November 15, 2022



HEADGEAR & T-FRAME

Item	Part	Description	Item	Part	Description
96	79735	Headgear	114	A6148K	U-Bolt Assembly Packet
97	69689	Label - Logo, SECURITY GUARD™ System	115	79742	T-Frame Service Kit
98	79738	Lift Arm Kit (yellow)	116	27172K	Clamp Loop Kit
117	79739	Lift Arm Kit (silver)	117	84458	1/2 x 2-7/8 Clevis Pin Kit HT
99	4289K	3/4 x 2 Machine Pin Packet	118	8284K	Cable Boot
100	79744	Jack	119	85199	1/2 x 2-7/8 Clevis Pin Kit
101	27164K	Handle Kit	120	27912-1	5/16 Grade 43 Chain Bag
102	79746	Handle, Link Arm Assembly	121	79721	Hydraulic Cover (incl. item 122)
103	27535	Handle Cover	122	74081	Label - Information, Hydraulic
104	27166K	Wire Cam Kit - DS	123	90601	1/4 x 1-1/2 Cotter Pin
105	27167K	Wire Cam Kit - PS	124	26777	Label - Nameplate, Minute Mount® 2
106	27163K	Bushing Kit (pkg of 2)	125	28991	Stop Link Kit
107	27478	Jack Lock	126	84399	1/2 x 2-1/8 Clevis Pin HT
108	27461	3/4 OD x 3-1/2 Compression Spring	127	29037	5/8 x 2-5/8 Clevis Pin G8 w/Cotter
109	79745	Link Arm	128	26833	1 x 6-15/16 Pin
110	27168K	Connecting Pin Kit	129	26219	Clevis Pin Kit
111	27162K-1	Stop Clip Kit	130	821	1 ID x 3-1/2 Compression Spring
112	78750	3/4 x 2-1/2 Pin Kit	131	27074	Spring
113	49521	Spring/U-Bolt/Link Kit	132	68340	Quick Link

HT = Heat Treated G = Grade



BLADE ACCESSORIES

Item	Part	Description	Item	Part	Description
133	74519	Shoe Kit (set of 2)	ns	90413	Cutting Edge, Poly - DS
134	74528	Blade Stop Kit (set of 2)	ns	90438	Cutting Edge, Poly - PS
135	43885	Curb Guard Kit (set of 2)	ns	44996-1	Cutting Edge (1/2")
136	44281-4	Back Drag Edge Kit	ns	44894-1	Center Cutting Edge Kit (1/2")
137	41812-1	Rubber Deflector Kit - 10"	ns	44891-1	Center Cutting Edge (1/2") - DS
ns	86866	Poly Cutting Edge Kit w/Fasteners	ns	44890-1	Center Cutting Edge (1/2") - PS
ns	44742-2	Cutting Edge Kit (1/2")			

ns = not shown