



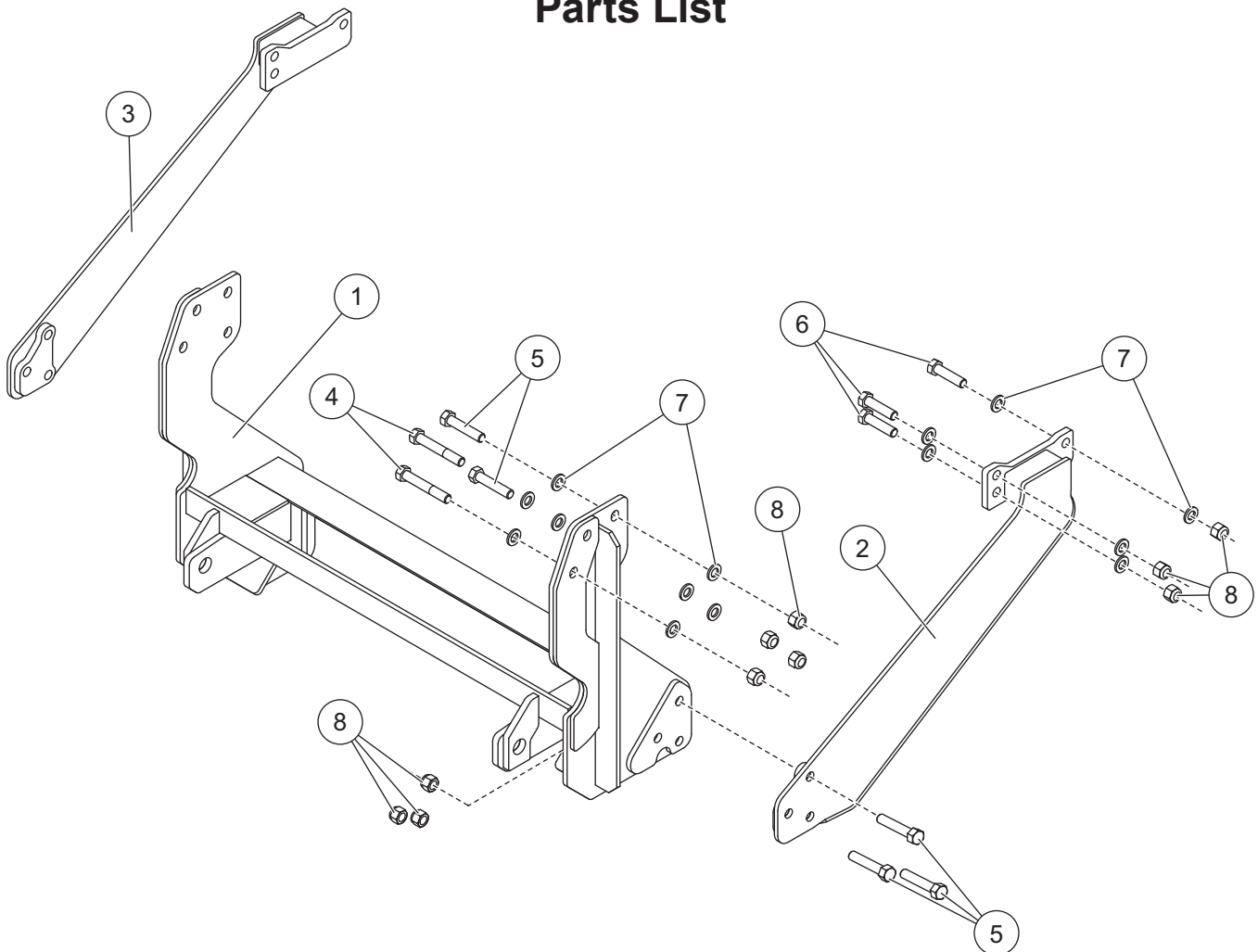
Minute² SYSTEM

MOUNT KIT

Ford F-650 2WD
Ford F-650 4X4

2016 - 20___
2016 - 20___

Parts List



77103

77103 Mount Kit							
Item	Part	Qty	Description	Item	Part	Qty	Description
1	77147	1	Mount, F-650	3	77146	1	Thrust Arm Assembly, PS
2	77145	1	Thrust Arm Assembly, DS	ns	77144	1	Bolt Bag
77144 Bolt Bag							
4		4	5/8-11 x 4 Hex Cap Screw G8	7		28	5/8 Hardened Flat Washer
5		10	5/8-11 x 3 Hex Cap Screw G5	8		20	5/8-11 Hex Locknut Topring GB
6		6	5/8-11 x 2-1/2 Hex Cap Screw G5				
ns = not shown				G = Grade			

Copyright © 2016 Douglas Dynamics, LLC. All rights reserved. This material may not be reproduced or copied, in whole or in part, in any printed, mechanical, electronic, film or other distribution and storage media, without the written consent of Fisher Engineering. Authorization to photocopy items for internal or personal use by Fisher Engineering outlets or snowplow owner is granted.

Fisher Engineering reserves the right under its product improvement policy to change construction or design details and furnish equipment when so altered without reference to illustrations or specifications used. Fisher Engineering or the vehicle manufacturer may require or recommend optional equipment for snow removal. Do not exceed vehicle ratings with a snowplow. Fisher Engineering offers a limited warranty for all snowplows and accessories. See separately printed page for this important information. The following are registered (®) trademarks of Douglas Dynamics, LLC: FISHER®, Minute Mount® 2.

Printed in U.S.A.