



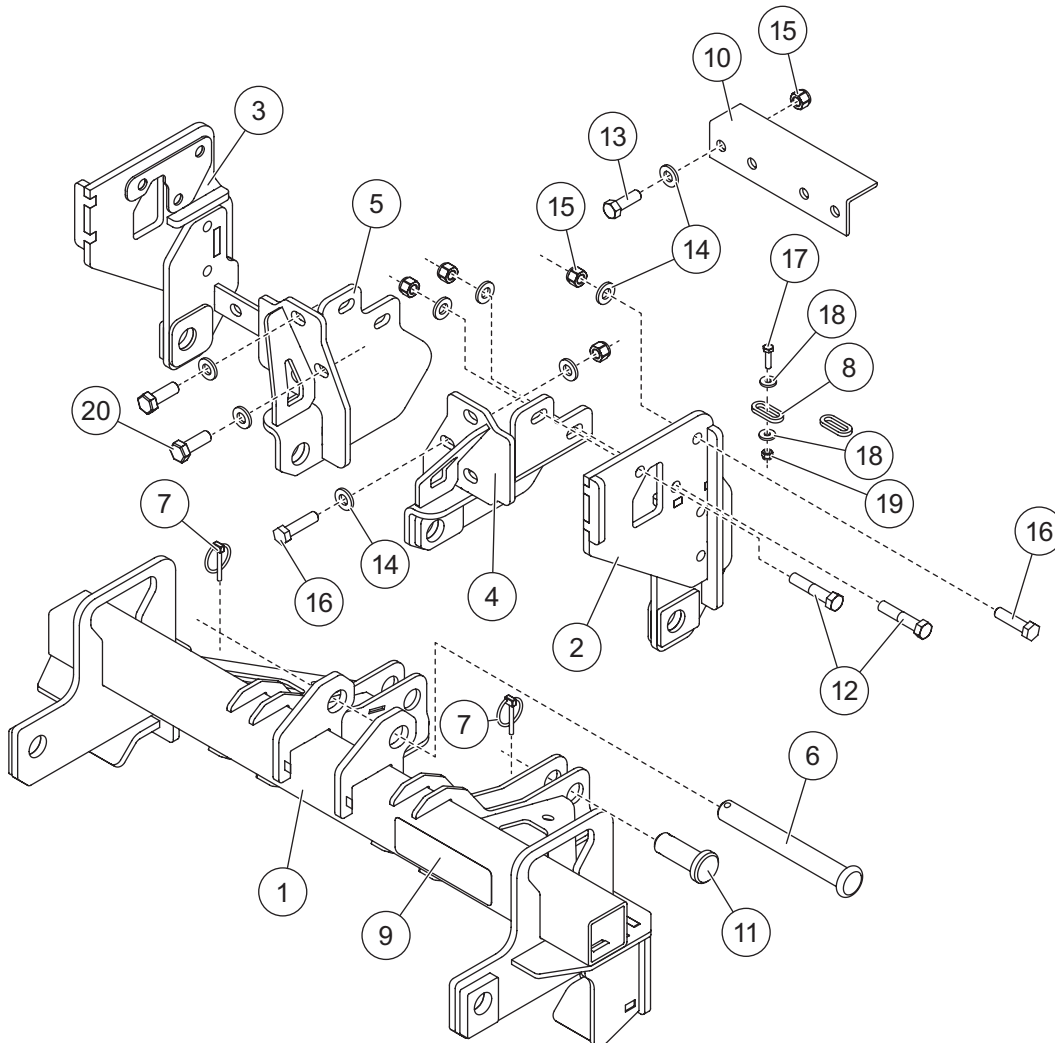
# Minute<sup>2</sup> SYSTEM

## MOUNT KIT

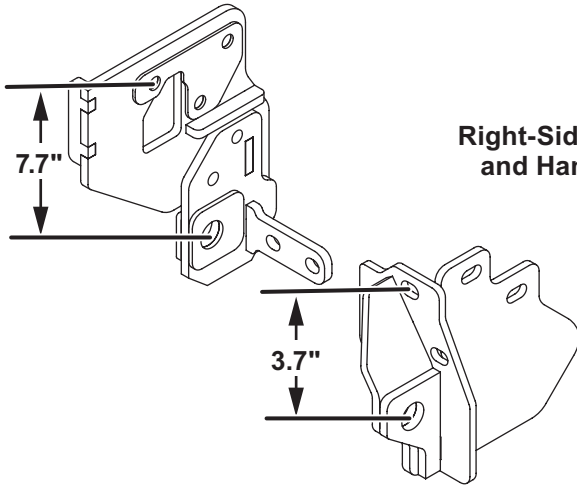
Kubota Grand L60 Series Tractor

2018-\_\_

### Parts List

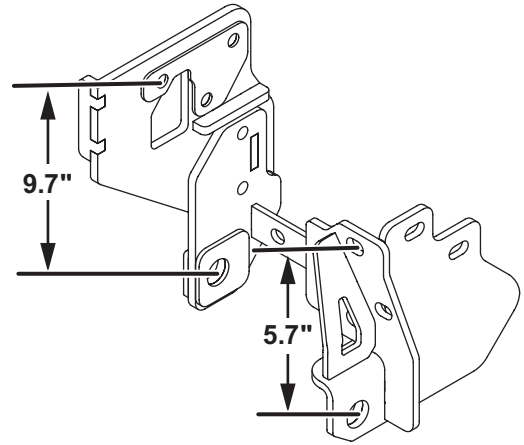


**MOUNT STYLE COMPARISON**



**Right-Side Thrust Arms and Hangers Shown**

- 77596 (shown) Thrust Arm, Right
- 77595 (not shown) Thrust Arm, Left
- 77598 (shown) Hanger, Right
- 77597 (not shown) Hanger, Left



- 77331 (shown) Thrust Arm, Right
- 77330 (not shown) Thrust Arm, Left
- 77332 (shown) Hanger, Right
- 77333 (not shown) Hanger, Left

77605 Mount Kit							
Item	Part	Qty	Description	Item	Part	Qty	Description
1	72865	1	Push Beam	11	27227	2	1 x 2-3/4 Clevis Pin
2	77330	1	Thrust Arm, Left	ns	77335	1	Bolt Bag
3	77331	1	Thrust Arm, Right	ns	72168	1	Vehicle Cable Assembly
4	77333	1	Hanger, Left	ns	74077	1	Jumper Connector, 4-Position
5	77332	1	Hanger, Right	ns	28587	1	Vehicle Control Harness
6	27979	1	1 x 8 Clevis Pin	ns	61548K	1	Plug Cover Kit
7	93042	3	3/16 Linchpin	ns	90730	1	Fuse Kit, 200A
8	77339	4	Shield Bracket	ns		12	Cable Tie
9	77506	1	Label – Caution, Tractor RMV Loader	ns		1	Heat Shrink Tubing
10	77395	1	Cross Bar	ns		1	Splice Package
77335 Bolt Bag							
12		4	1/2-13 x 2-1/2 Hex Cap Screw G5	17		2	1/4-20 x 1 Hex Cap Screw G5
13		4	1/2-13 x 1-1/2 Hex Cap Screw G5	18		4	1/4 Flat Washer Type A Wide
14		18	1/2 Hardened Flat Washer Type 1	19		2	1/4-20 Hex Locknut GB
15		12	1/2-13 Hex Locknut GB	20		4	M14 x 1.5 x 40 Hex Cap Screw
16		4	1/2-13 x 2 Hex Cap Screw G5				
			ns = not shown			M = Metric	G = Grade

Copyright © 2022 Douglas Dynamics, LLC. All rights reserved. This material may not be reproduced or copied, in whole or in part, in any printed, mechanical, electronic, film, or other distribution and storage media, without the written consent of Fisher Engineering. Authorization to photocopy items for internal or personal use by Fisher Engineering outlets or snowplow owner is granted.

Fisher Engineering reserves the right under its product improvement policy to change construction or design details and furnish equipment when so altered without reference to illustrations or specifications used. Fisher Engineering or the vehicle manufacturer may require or recommend optional equipment for snow removal. Do not exceed vehicle ratings with a snowplow. Fisher Engineering offers a limited warranty for all snowplows and accessories. See separately printed page for this important information. The following are registered (®) trademarks of Douglas Dynamics, LLC: FISHER®, Minute Mount® 2.

Printed in U.S.A.