



**Fisher Engineering**

**89920**

50 Gordon Drive, Rockland, Maine 04841-2139 • www.fisherplows.com

March 1, 2022  
Lit. No. 77973, Rev. 02

**STEEL-CASTER™**

# Hopper and Drive Components

**STEEL-CASTER™ Hopper Spreaders**

**0.35 yd<sup>3</sup>**

**Parts List**

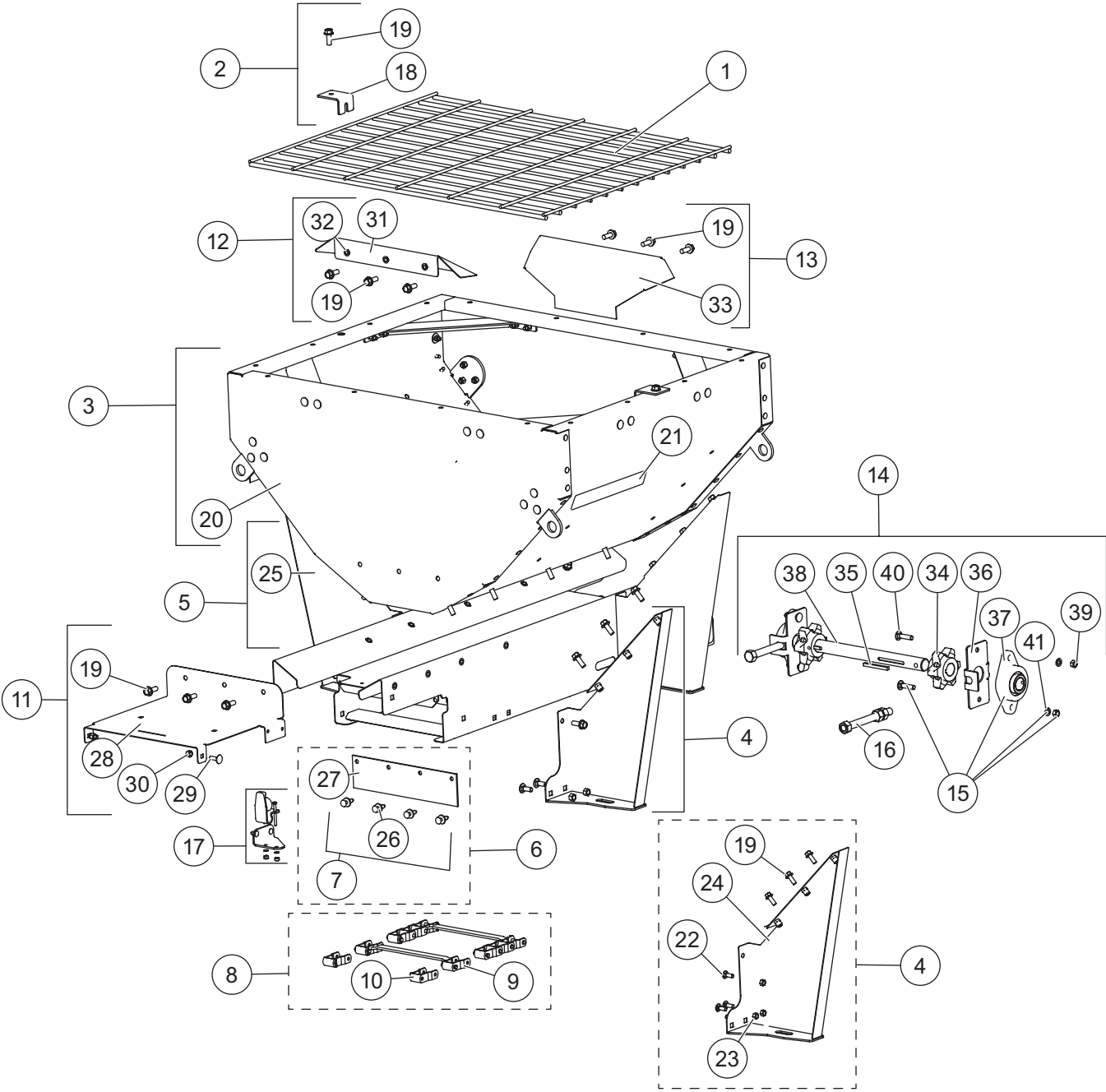


This Parts List is for FISHER® STEEL-CASTER hopper spreaders  
with serial numbers beginning with 200706 and higher.

**A DIVISION OF FISHER, LLC**

# STEEL-CASTER™ HOPPER SPREADER

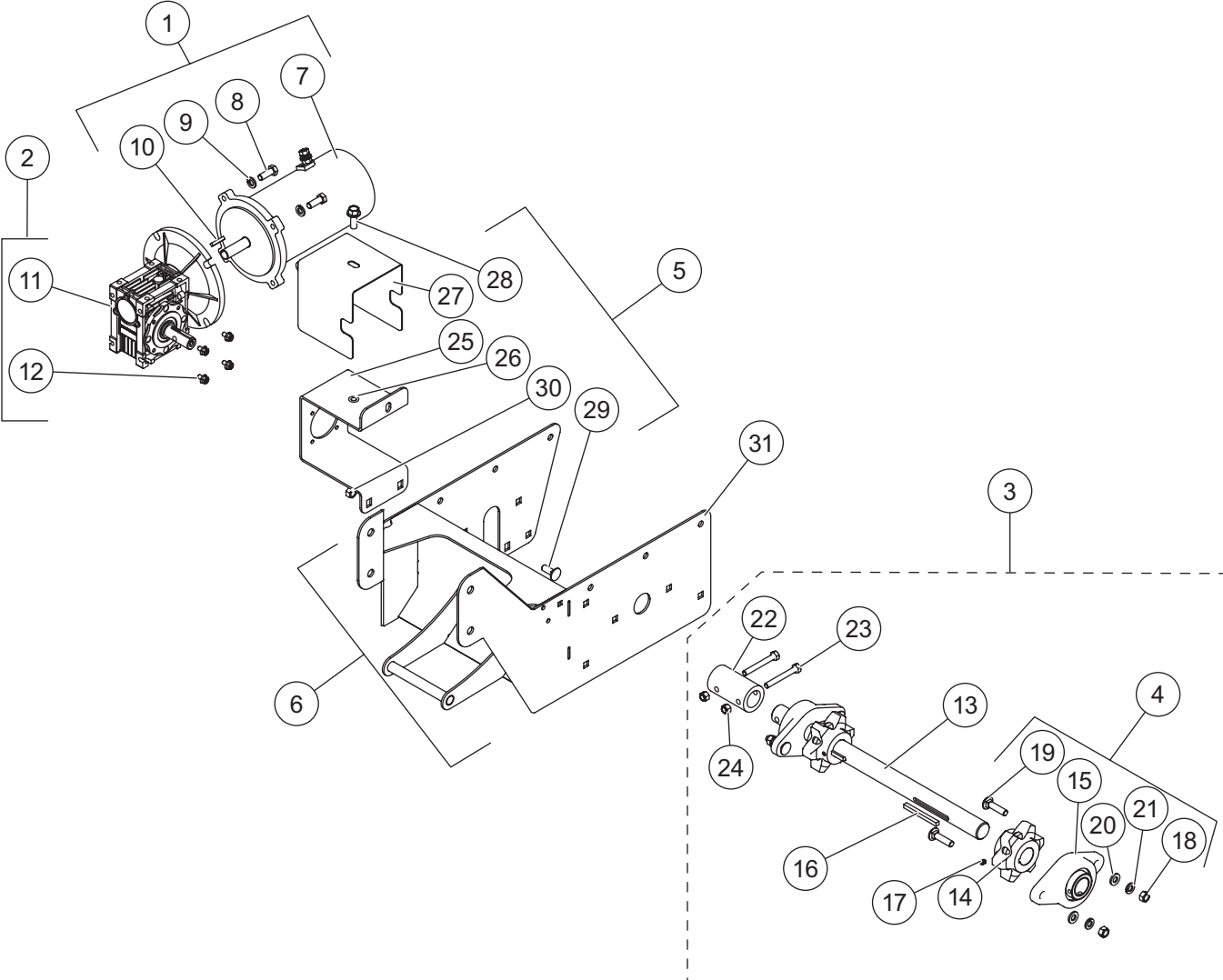
## HOPPER COMPONENTS – 0.35 yd<sup>3</sup>





# STEEL-CASTER™ HOPPER SPREADER

## POWERGROUP COMPONENTS – 0.35 yd<sup>3</sup>



## STEEL-CASTER™ HOPPER SPREADER

<b>Powergroup Components – 0.35 yd<sup>3</sup></b>							
<b>Item</b>	<b>Part</b>	<b>Qty</b>	<b>Description</b>	<b>Item</b>	<b>Part</b>	<b>Qty</b>	<b>Description</b>
1	85479	1	Motor, 1/2 hp, 1750 rpm	4	94953	1	Spreader Bearing Kit
2	83267	1	Transmission Service Kit, 80:1	5	83263	1	Gear Box Bracket Kit – 0.35 yd <sup>3</sup>
3	83264	1	Drive Shaft Kit – 0.35 yd <sup>3</sup>	6	83262	1	Powergroup Mount Kit – 0.35 yd <sup>3</sup>
<b>Item 1</b>				<b>85479 Motor, 1/2 hp, 1750 rpm</b>			
7	D6825-1	1	Motor, 1/2 hp, 1750 rpm	9		4	3/8 Spring Lock Washer SS
8		4	3/8-16 x 1 Hex Cap Screw SS	10	65195	1	Machine Key, 0.188 sq x 1.000
<b>Item 2</b>				<b>83267 Transmission Service Kit, 80:1</b>			
11	10923	1	Transmission, 80:1 MRVC 040	12		1	M6-1 x 10 Flanged Hex Cap Screw
<b>Item 3</b>				<b>83264 Drive Shaft Kit – 0.35 yd<sup>3</sup></b>			
13	74661	1	Gear Box Shaft	19		4	3/8-16 x 1-1/2 Carriage Bolt
14	65909	2	Drive Sprocket Machining 6T	20		4	3/8 Flat Washer, Type A Wide SS
15	94536	2	2-Bolt Flange Bearing, 1.125 ID	21		4	3/8 Spring Lock Washer SS
16	95076	2	2.75" Brass Key	22	74678	1	Drive Shaft Coupler – 0.35 yd <sup>3</sup>
17		2	1/4-20 x 3/8 Socket Set Screw	23		2	5/16 x 2-1/4 Hex Cap Screw
18		4	3/8-16 Hex Nut SS	24		2	5/16-18 Hex Locknut GB
<b>Item 4</b>				<b>94953 Spreader Bearing Kit</b>			
15	94536	1	2-Bolt Flange Bearing, 1.125 ID	20		2	3/8 Flat Washer, Type A Wide SS
18		2	3/8-16 Hex Nut SS	21		2	3/8 Spring Lock Washer SS
19		2	3/8-16 x 1-1/2 Carriage Bolt				
<b>Item 5</b>				<b>83263 Gear Box Bracket Kit – 0.35 yd<sup>3</sup></b>			
25		1	Gear Box Mount Bracket – 0.35 yd <sup>3</sup>	28		2	3/8-16 x 1 Hex Cap Screw, SS
26		1	3/8-16 Hex Rivnut SS	29		2	3/8-16 x 1 Carriage Bolt
27		1	Motor Coupler Guard	30		2	3/8-16 Hex Locknut GB
<b>Item 6</b>				<b>83262 Powergroup Mount Kit – 0.35 yd<sup>3</sup></b>			
31		1	Chain Powergroup Mount – 0.35 yd <sup>3</sup>	ns		2	3/8-16 x 1 Carriage Bolt
ns		6	3/8-16 x 1 Hex Cap Screw, SS	ns		2	3/8-16 Hex Locknut GB
		SS = Stainless Steel				G = Grade	
						ns = not shown	
						M = Metric	

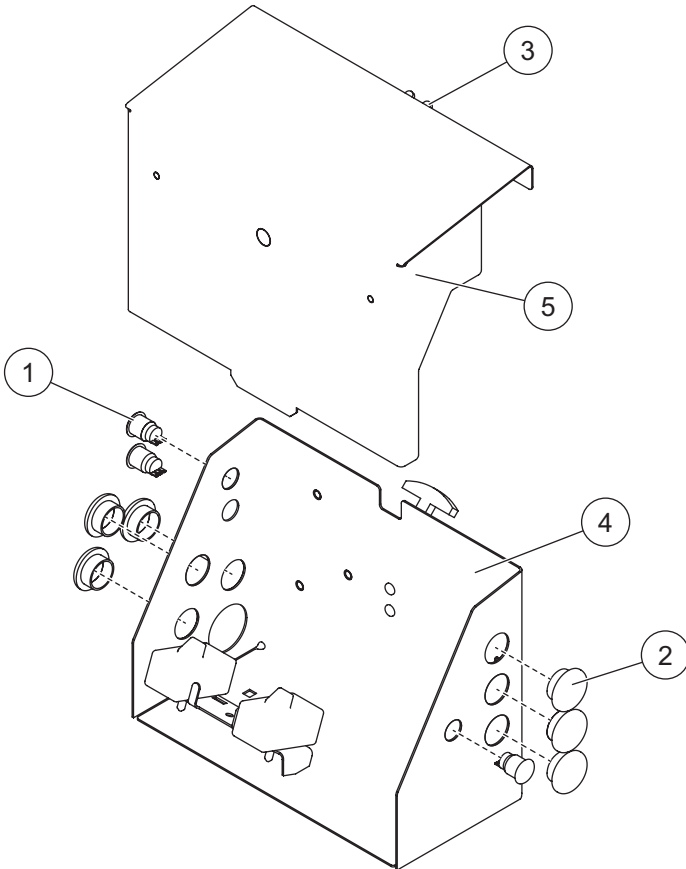


# STEEL-CASTER™ HOPPER SPREADER

<b>Chute &amp; Spinner Drive Assembly Components</b>							
Item	Part	Qty	Description	Item	Part	Qty	Description
1	83890	1	Chute Assembly	6	85438	1	Spinner Disk Service Kit
2	83888	1	Spinner Drive Housing	7	83887	1	Spinner Disk and Mount Kit
3	75901	1	Spinner Motor Service Kit	8	85437	1	Spinner Guard Service Kit
4	83722	1	Spinner Transmission Kit	9	83270	1	Shutter Accessory, Chute
5	83889	1	Spinner Mount Kit				
<b>Item 1</b>				<b>83890 Chute Assembly</b>			
	74690	1	Spinner Drive Assembly	10	30879	2	Chute Pin Kit
<b>Item 2</b>				<b>83888 Spinner Drive Housing</b>			
11		1	Chute Motor Enclosure	18	30917EN	1	Label – Warning, No Step
12		12	3/8-16 Hex Rivnut SS	19		1	Chute Motor Cover
13		12	3/8-16 x 1 Serrated Flange Hex Cap Screw SS	20	91639	1	Chute Hanger, DS
14		1	10/2 3/4 NPT Strain Relief	21	91641	1	Chute Hanger, PS
15		1	3/4 Nut, Nylon	22		1	Cable Boot Bracket
16	29593	2	Label – Warning, Multiple Pinch Points	23	11992	1	Dust Cover, Spinner Harness
17	92969	1	Label – Warning, Chute Disconnect	ns	11100	1	Label – Warning, Rear Camera
<b>Item 3</b>				<b>75901 Spinner Motor Service Kit</b>			
24	72690	1	Motor	25		2	#10-32 x 5/8 Hex Cap Screw
<b>Item 4</b>				<b>83722 Spinner Transmission Kit</b>			
25		2	#10-32 x 5/8 Hex Cap Screw	27		4	1/4-20 x 1/2 Hex Cap Screw
26	D6107	1	Worm Transmission 8:1, 5.9" Shaft	28	D6232	1	Motor Drive Coupler
<b>Item 5</b>				<b>83889 Spinner Mount Kit</b>			
29		1	Spinner Hub	32		3	1/4 Flat Washer Type A Narrow
30		3	1/4-20 Hex Locknut GB	33		2	#10-32 x 2 Hex Cap Screw
31		3	1/4-20 x 3/4 Hex Cap Screw SS	34		2	#10-32 Hex Locknut GB
<b>Item 6</b>				<b>85438 Spinner Disk Service Kit</b>			
35	D6823	1	12 x 5/8 Spinner	ns		3	1/4 Flat Washer SS
ns		3	1/4-20 x 1 Serrated Flange Hex Cap Screw SS	ns		3	1/4-20 Nylon Nut
<b>Item 7</b>				<b>83887 Spinner Disk and Mount Kit</b>			
5	83889	1	Spinner Mount Kit	6	85438	1	Spinner Disk Service Kit
<b>Item 8</b>				<b>85437 Spinner Guard Service Kit</b>			
13		4	3/8-16 x 1 Serrated Flange Hex Cap Screw SS	36		1	Deflector
<b>Item 9</b>				<b>83270 Shutter Accessory, Chute</b>			
37		1	Shutter Mount	40		1	3/8 Flat Washer SS
38		1	Shutter Deflector	41		1	Plastic Washer
39		2	5/16-18 Hex Locknut GB SS	42		1	3/8 x 5/16 x 5/16-18 Shoulder Bolt SS
<b>Item 10</b>				<b>30879 Chute Pin Kit</b>			
		1	Chute Locking Pin			1	3/32 x 2-1/4 Hairpin Cotter
		G = Grade				SS = Stainless Steel	
						ns = not shown	

# STEEL-CASTER™ HOPPER SPREADER

## ELECTRICAL ENCLOSURE ASSEMBLY – 0.35 yd<sup>3</sup>



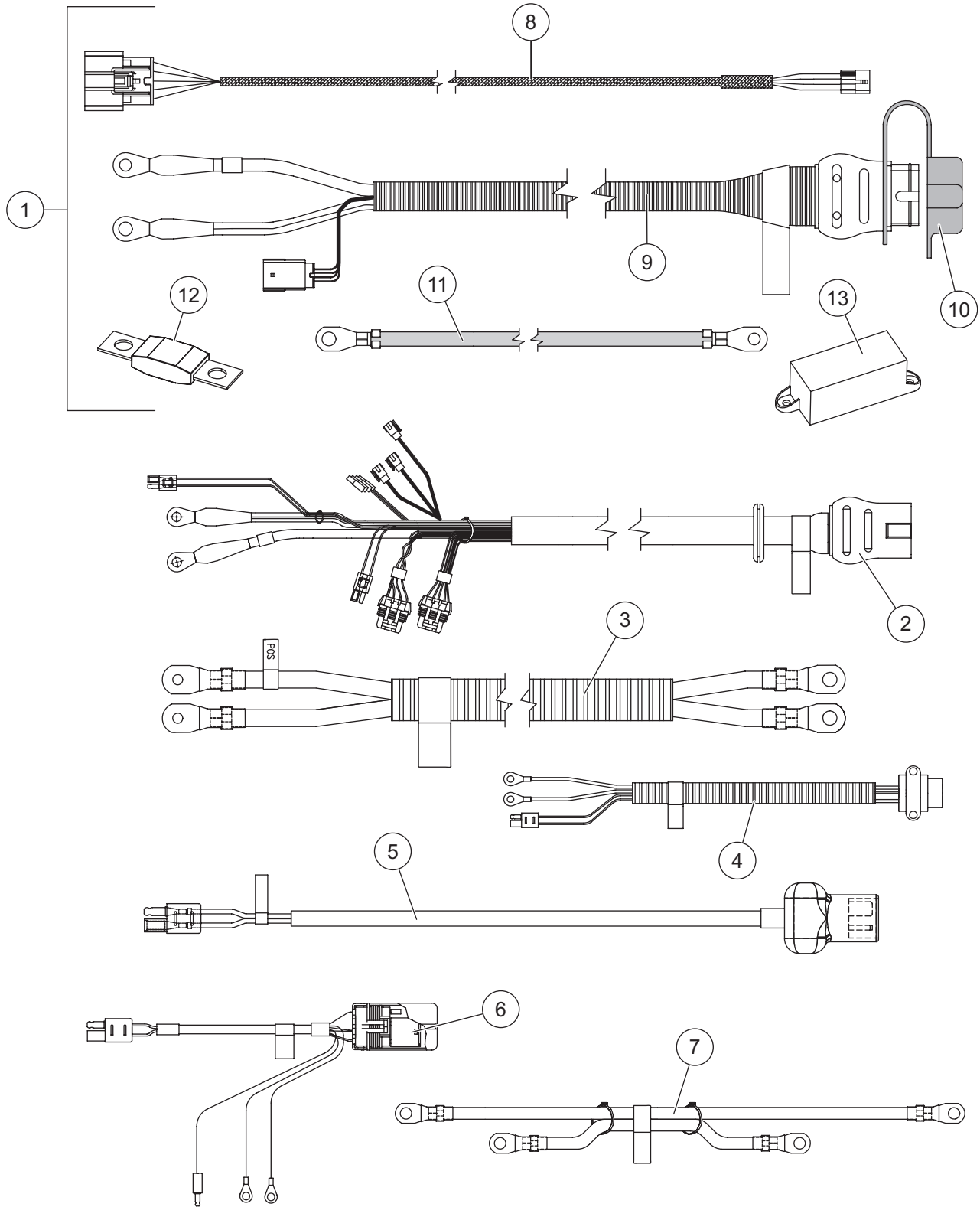


# STEEL-CASTER™ HOPPER SPREADER

83292 Electrical Enclosure Components							
Item	Part	Qty	Description	Item	Part	Qty	Description
1	99254	3	Switch, Push Button MO	ns		1	Rubber Latch Assembly
2	99195	6	Break-Thru Plug	ns		4	3/16 Pop Rivet
3		1	Keeper	ns	85480	1	Label – Information, Feed/Work Light
4		1	Electrical Enclosure – 0.35 yd <sup>3</sup>	ns	85481	1	Label – Information, Feed Light
5		1	Mailbox Cover – 0.35 yd <sup>3</sup>				
ns = not shown							

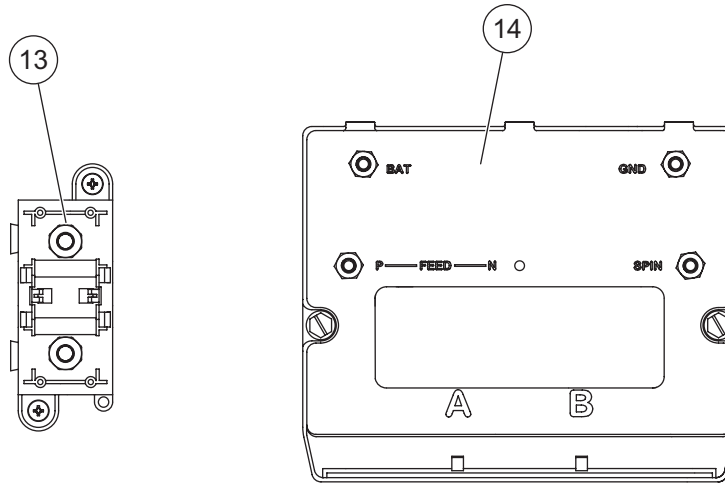
# STEEL-CASTER™ HOPPER SPREADER

## ELECTRICAL COMPONENTS – 0.35 yd<sup>3</sup>



Not drawn to scale.

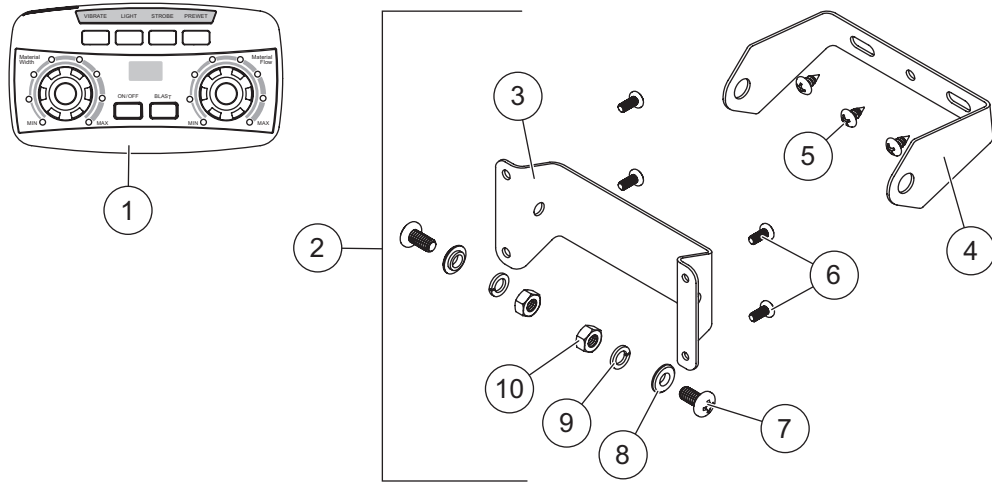
# STEEL-CASTER™ HOPPER SPREADER



Cables & Harnessing, Electrical Components							
Item	Part	Qty	Description	Item	Part	Qty	Description
1	85692	1	Vehicle-Side Harness Kit, 140"	6	78382	1	Vibrator Harness Assembly
2	83688	1	Hopper Cable Assembly	7	78385	1	Module to Isolated Stud Cable Assy
3	78987	1	Module to Auger Motor Cable Assy	ns	83712	1	Vibrator Extension Harness, 24"
4	85448	1	Spinner Module Cable Assembly	ns	69916	1	8-Pin Cable Boot
5	78883	1	Spinner Motor Cable Assembly	ns	61592	1	Butt Splice
<b>Item 1</b>				<b>85692 Vehicle-Side Harness Kit, 140"</b>			
8	69901	1	Vehicle Control Harness	ns		2	1/4-20 x 3/4 Hex Cap Screw SS
9	78904	1	Vehicle Harness Assy (incl. item 10)	ns		2	1/4-20 Hex Locknut GB
10	99759	1	Plug Cover	ns		2	1/4 Flat Washer, Type A Narrow
11	22511	1	22" Battery Cable – Red	ns		6	Cable Tie, HD
12	95836	1	Fuse, 100A	ns		10	Cable Tie, 15.35"
13	95837	1	Fuse Holder/Isolated Stud Block				
Electrical Box Components							
13	95837	1	Fuse Holder/Isolated Stud Block	14	52385	1	Spreader Module, 4-Post
ns = not shown			G = Grade			SS = Stainless Steel	

# STEEL-CASTER™ HOPPER SPREADER

## CAB CONTROL



99533 Cab Control Kit							
Item	Part	Qty	Description	Item	Part	Qty	Description
1	99773	1	Cab Control 2-Knob	2	52345	1	Cab Control Bracket Kit
<b>Item 2</b>				<b>52345 Cab Control Bracket Kit</b>			
3		1	Bracket, Control Inner	7		2	1/4-20 x 1/2 Pan Head Machine Screw SS – Black Oxide
4		1	Bracket, Control Outer	8		2	1/4 Shoulder Washer – Black Oxide
5		3	#10 x 3/8 Tapping Screw SS	9		2	1/4 Lock Washer SS
6		4	#8-32 x 3/8 Phillips Pan Head Machine Screw	10		2	1/4-20 Hex Nut G5 – Black Oxide
G = Grade				SS = Stainless Steel			

# STEEL-CASTER™ HOPPER SPREADER

---

## ACCESSORIES

Accessory Kits			
Part	Description	Part	Description
99494	Strobe Light Kit	99080	CHMSL Kit
99505-1	Primary Work Light Kit	85696	Spill Guards – 0.35 yd <sup>3</sup>
99732-1	Auxiliary Work Light Kit	85698	Side Extensions – 0.35 yd <sup>3</sup>
85694	License Plate Kit	85693	Truck Conversion Kit – 0.35 yd <sup>3</sup>
76668	Vibrator Kit	85706	Inverted V Kit – 0.35 yd <sup>3</sup>
85692	Vehicle-Side Harness Kit – 0.35 yd <sup>3</sup>	30059	Tarp Kit – 0.35 yd <sup>3</sup>
68790	Ratchet Strap Kit (pkg of 4)	30055	Bungee Kit, 9" – 0.35 yd <sup>3</sup>
85695	Pre-Wet, 50-gal		

# STEEL-CASTER™ HOPPER SPREADER

---



Fisher Engineering  
50 Gordon Drive  
Rockland, ME 04841-2139  
*www.fisherplows.com*

**A DIVISION OF FISHER, LLC**

Copyright © 2022 Douglas Dynamics, LLC. All rights reserved. This material may not be reproduced or copied, in whole or in part, in any printed, mechanical, electronic, film, or other distribution and storage media, without the written consent of Fisher Engineering. Authorization to photocopy items for internal or personal use by Fisher Engineering outlets or spreader owner is granted.

Fisher Engineering reserves the right under its product improvement policy to change construction or design details and furnish equipment when so altered without reference to illustrations or specifications used. Fisher Engineering or the vehicle manufacturer may require or recommend optional equipment for spreaders. Do not exceed vehicle ratings with a spreader. Fisher Engineering offers a limited warranty for all spreaders and accessories. See separately printed page for this important information. The following are registered (®) or unregistered (™) trademarks of Douglas Dynamics, LLC: FISHER®, STEEL-CASTER™.

**Printed in U.S.A.**