

32323-1

MOUNT KIT PERSONAL PLOW

Toyota Tacoma

2005-__

Installation Instructions

▲ CAUTION

Read this document before installing the snowplow.

▲ CAUTION

See your sales outlet/website for specific vehicle application recommendations before installation. The online selection system has specific vehicle and snowplow requirements.

SAFETY DEFINITIONS

⚠ WARNING
 Indicates a potentially hazardous situation that, if not avoided, could result in death or serious personal injury.

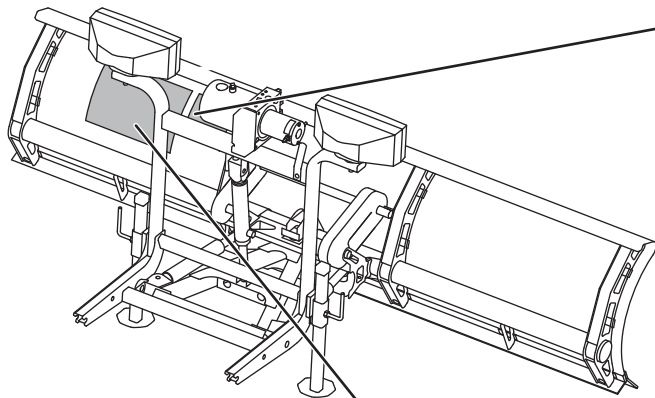
⚠ CAUTION
 Indicates a potentially hazardous situation that, if not avoided, may result in minor or moderate injury. It may also be used to alert against unsafe practices.

NOTE: Indicates a situation or action that can lead to damage to your snowplow and vehicle or other property. Other useful information can also be described.

WARNING/CAUTION & INSTRUCTION LABELS

Become familiar with and inform users about the warning/caution and instruction labels on the back of the blade.

NOTE: If labels are missing or cannot be read, see your sales outlet.



Warning/Caution Label

⚠ WARNING	
	Lower blade when vehicle is parked.
	Do not exceed GVWR or GAWR including blade and ballast.
⚠ CAUTION	
	Read Owner's Manual before operating or servicing snowplow.
	Transport speed should not exceed 45 mph (72 km/h). Further reduce speed under adverse travel conditions.
	Plowing speed should not exceed 10 mph (16 km/h).
	See your sales outlet/website for specific vehicle application recommendations.

Instruction Label

This snowplow is for personal/homeowner use only.

ATTACH INSTRUCTIONS	<ol style="list-style-type: none"> 1. Make certain both connecting pins are fully retracted. 2. Drive vehicle slowly to completely insert attachment arms into receiver assembly slots. 3. Twist both connecting pins to release spring tension, then push plow gear toward vehicle so connecting pins fully engage holes in attachment arms. 4. Loosen one jack handle and slide jack sleeve down below jack retainer. Remove jack and retighten jack handle. Repeat for other jack and store them. 5. Connect all electrical cables from vehicle to snowplow.
<ol style="list-style-type: none"> 5. Back vehicle away from snowplow. 6. See Owner's Manual for proper snowplow storage. 	<ol style="list-style-type: none"> 3. While pushing plow gear toward vehicle to release connecting pin tension, pull connecting pin out on one side and twist pin handle to keep pin retracted. Repeat procedure for other connecting pin. 4. Disconnect all electrical cables.
	<ol style="list-style-type: none"> 1. Put blade on ground using LOWER/FLOAT on snowplow control. Leave control ON and in FLOAT. 2. Attach jacks. Loosen jack handle, put jack on ground, and raise jack sleeve until fully engaging jack retainer. Tighten jack handle. Repeat for other jack.

DETACH INSTRUCTIONS

U.S. patents 6,941,685; 7,400,058; 7,737,576; and other patents pending.

Read Owner's Manual for complete instructions.

SAFETY PRECAUTIONS

Improper installation and operation could cause personal injury and/or equipment and property damage. Read and understand labels and the Owner's Manual before installing, operating, or making adjustments.

⚠ WARNING

Lower the blade when vehicle is parked. Temperature changes could change hydraulic pressure, causing the blade to drop unexpectedly or damaging hydraulic components. Failure to do this could result in serious personal injury.

⚠ WARNING

The driver shall keep bystanders clear of the blade when it is being raised, lowered, or angled. Do not stand between the vehicle and the blade or within 8 feet of a moving blade. A moving or falling blade could cause personal injury.

⚠ WARNING

Keep hands and feet clear of the blade and A-frame when mounting or removing the snowplow. Moving or falling assemblies could cause personal injury.

⚠ WARNING

Do not exceed GVWR or GAWR including the blade and ballast. The rating label is found on the driver-side vehicle door cornerpost.

⚠ WARNING

To prevent accidental movement of the blade, always turn the control OFF whenever the snowplow is not in use. The power indicator light will turn OFF.

⚠ WARNING

Remove blade assembly before placing vehicle on hoist.

⚠ CAUTION

Refer to the online selection system for minimum vehicle recommendations and ballast requirements.

PERSONAL SAFETY

- Remove the ignition key and put the vehicle in PARK or in gear to prevent others from starting the vehicle during installation or service.
- Wear only snug-fitting clothing while working on your vehicle or snowplow.
- Do not wear jewelry or a necktie, and secure long hair.
- Wear safety goggles to protect your eyes from battery acid, gasoline, dirt, and dust.
- Avoid touching hot surfaces such as the engine, radiator, hoses, and exhaust pipes.
- Always have a fire extinguisher rated BC handy, for flammable liquids and electrical fires.

FIRE AND EXPLOSION

⚠ WARNING

Gasoline is highly flammable and gasoline vapor is explosive. Never smoke while working on vehicle. Keep all open flames away from gasoline tank and lines. Wipe up any spilled gasoline immediately.

Be careful when using gasoline. Do not use gasoline to clean parts. Store only in approved containers away from sources of heat or flame.

CELL PHONES

A driver's first responsibility is the safe operation of the vehicle. The most important thing you can do to prevent a crash is to avoid distractions and pay attention to the road. Wait until it is safe to operate Mobile Communication Equipment such as cell phones, text messaging devices, pagers, or two-way radios.

VENTILATION

⚠ WARNING

Vehicle exhaust contains lethal fumes. Breathing these fumes, even in low concentrations, can cause death. Never operate a vehicle in an enclosed area without venting exhaust to the outside.

NOISE

Airborne noise emission during use is below 70 dB(A) for the snowplow operator.

VIBRATION

Operating snowplow vibration does not exceed 2.5 m/s² to the hand-arm or 0.5 m/s² to the whole body.

TORQUE CHART

⚠ CAUTION

Read instructions before assembling. Fasteners should be finger tight until instructed to tighten according to the torque chart. Use standard methods and practices when attaching snowplow, including proper personal protective safety equipment.

Recommended Fastener Torque Chart					
Inch Fasteners Grade 5 and Grade 8					
Size	Torque (ft-lb)		Size	Torque (ft-lb)	
	Grade 5	Grade 8		Grade 5	Grade 8
1/4-20	8.4	11.9	9/16-12	109	154
1/4-28	9.7	13.7	9/16-18	121	171
5/16-18	17.4	24.6	5/8-11	150	212
5/16-24	19.2	27.3	5/8-18	170	240
3/8-16	30.8	43.6	3/4-10	269	376
3/8-24	35.0	49.4	3/4-16	297	420
7/16-14	49.4	69.8	7/8-9	429	606
7/16-20	55.2	77.9	7/8-14	474	669
1/2-13	75.3	106.4	1-8	644	909
1/2-20	85.0	120.0	1-12	704	995

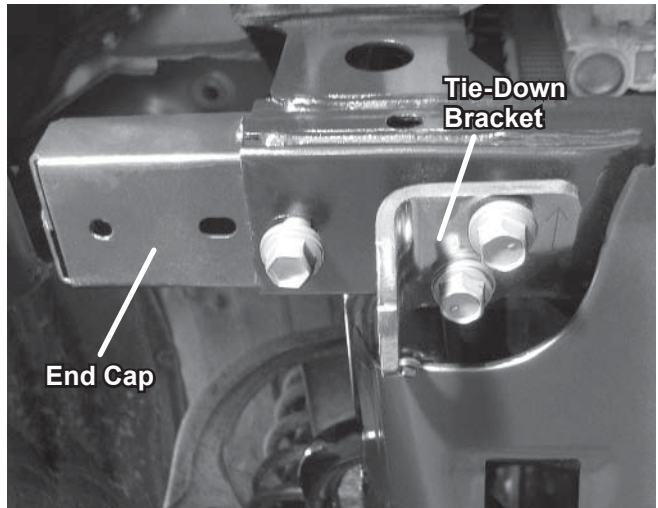
Metric Fasteners Class 8.8 and 10.9					
Size	Torque (ft-lb)		Size	Torque (ft-lb)	
	Class 8.8	Class 10.9		Class 8.8	Class 10.9
M6 x 1.00	7.7	11.1	M20 x 2.50	325	450
M8 x 1.25	19.5	26.9	M22 x 2.50	428	613
M10 x 1.50	38.5	53.3	M24 x 3.00	562	778
M12 x 1.75	67	93	M27 x 3.00	796	1139
M14 x 2.00	107	148	M30 x 3.50	1117	1545
M16 x 2.00	167	231	M33 x 3.50	1468	2101
M18 x 2.50	222	318	M36 x 4.00	1952	2701

These torque values apply to fasteners except those noted in the instructions.

INSTALLATION INSTRUCTIONS

NOTE: For easier assembly and installation, the vehicle and all snowplow components should be on a smooth, level, hard surface, such as concrete.

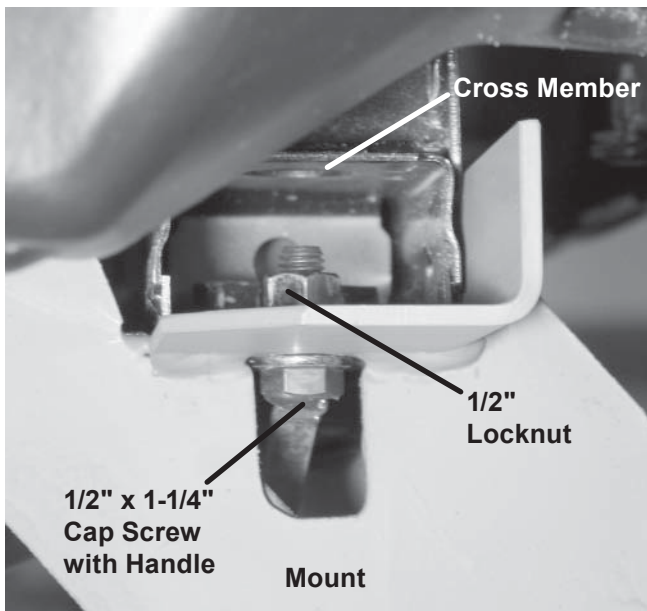
1. Remove the tow hook/tie-down bracket (passenger's side only) and end caps (both sides) from the front cross member of the vehicle frame. Retain these parts and fasteners for reinstallation if the snowplow mount is removed.



2. If the vehicle is equipped with the optional Toyota 1/4"-thick aluminum front skid plate, remove it and its fasteners, and retain them for reinstallation if the snowplow mount is removed.
3. Verify that the steel splash pan is present (see photo below). This splash pan must be present for mount installation.



4. Slide the mount into place with the rear arms behind the front cross member and above the splash pan. Align the bottom slots in the front of the mount with the end cap holes in the bottom of the front cross member, and clamp the mount in place.
5. Place a 1/2" washer onto one of the 1/2" x 1-1/4" cap screws with the shorter (5-1/2") handles. Pass the cap screw up through the bottom slot in the mount and into the bottom of the front cross member. Place a 1/2" washer and 1/2" locknut into the end of the cross member and onto the cap screw. Hand tighten. Repeat on the other side.

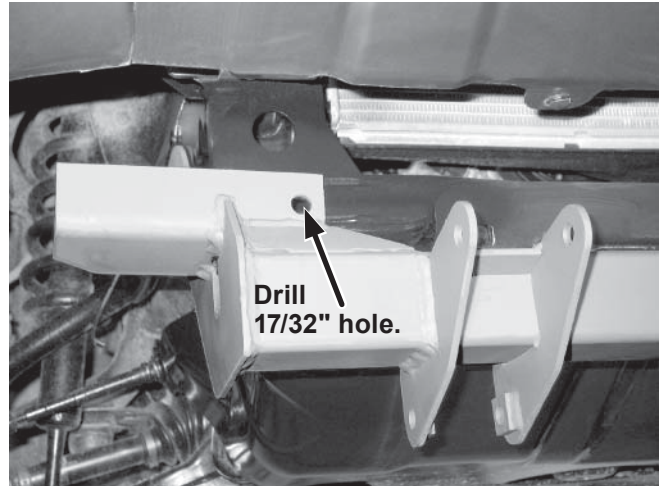


NOTE: For a more professional appearance, install the cap screws with the handles pointing in toward the center of the vehicle.

⚠ CAUTION

Before drilling holes, check to be sure that no vehicle wiring or other components could be damaged.

6. Using the holes in the front of the mount as guides, drill one 17/32" hole through the front of the front cross member on each side of the vehicle.

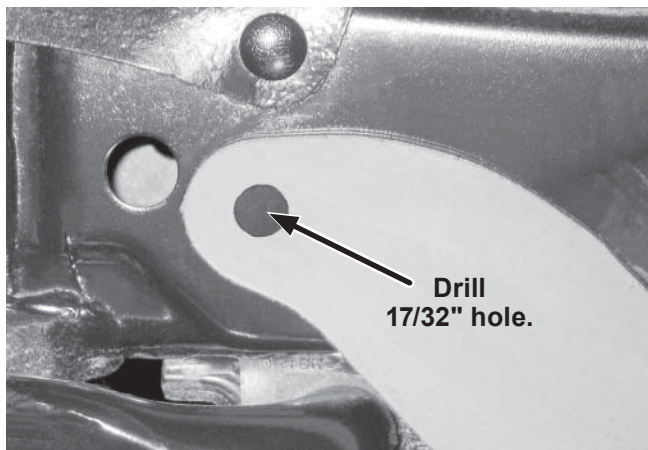


7. On each side of the vehicle, place a 1/2" washer onto one of the 1/2" x 1-1/4" cap screws with the shorter (5-1/2") handles. Pass the cap screw into the end of the front cross member, out through the drilled 17/32" hole, and through the hole in the front of the mount. Place a 1/2" locknut onto each of these cap screws, and fully tighten according to the torque chart.
8. Fully tighten the fasteners in the underside of the mount (Step 5) according to the torque chart.
9. Measure the distance between the mount beam rear hole and the ground. If it exceeds 11-1/2", install the accessory Height Adapter Plate Kit (PN 77555) to ensure optimum plowing performance.

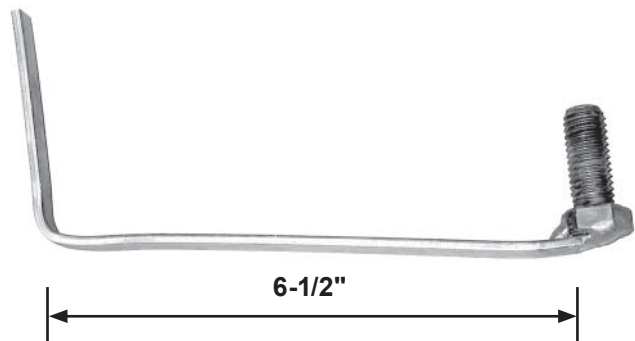
⚠ CAUTION

Before drilling holes, check to be sure that no vehicle wiring or other components could be damaged.

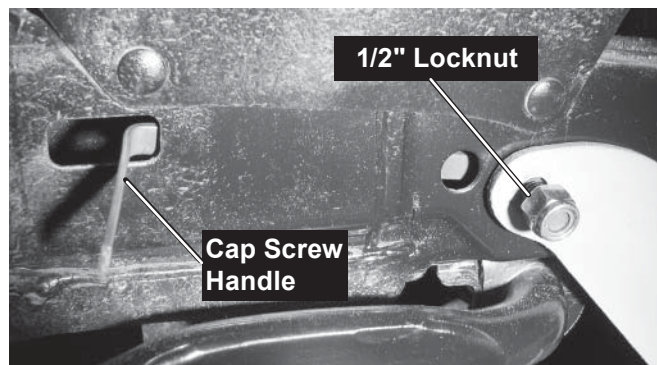
10. Push the rear arm mount stiffeners up tight against the bottom of the vehicle frame. Using the rear holes in the mount as guides, drill one $17/32$ " hole through the side of the truck frame on each side of the vehicle.



11. Bend the two $1/2$ " x $1-1/4$ " cap screws with the longer (18") handles as shown.



12. On both sides of the vehicle, insert a $1/2$ " x $1-1/4$ " cap screw with bent handle into the side of the frame, and pass it out through the drilled $17/32$ " hole and the hole in the rear of the mount. Place a $1/2$ " locknut on each of the cap screws, and fully tighten according to the torque chart.



13. Bend or cut the ends of any cap screw handles protruding out from the truck frame, for appearance and to prevent contact with the sway bar.

NOTE: After five to ten hours of snowplow usage, retorque all mount assembly fasteners

The company reserves the right under its product improvement policy to change construction or design details and furnish equipment when so altered without reference to illustrations or specifications used. This equipment manufacturer or the vehicle manufacturer may require or recommend optional equipment for snow removal. Do not exceed vehicle ratings with a snowplow. The company offers a limited warranty for all snowplows and accessories. See separately printed page for this important information.

Printed in U.S.A.