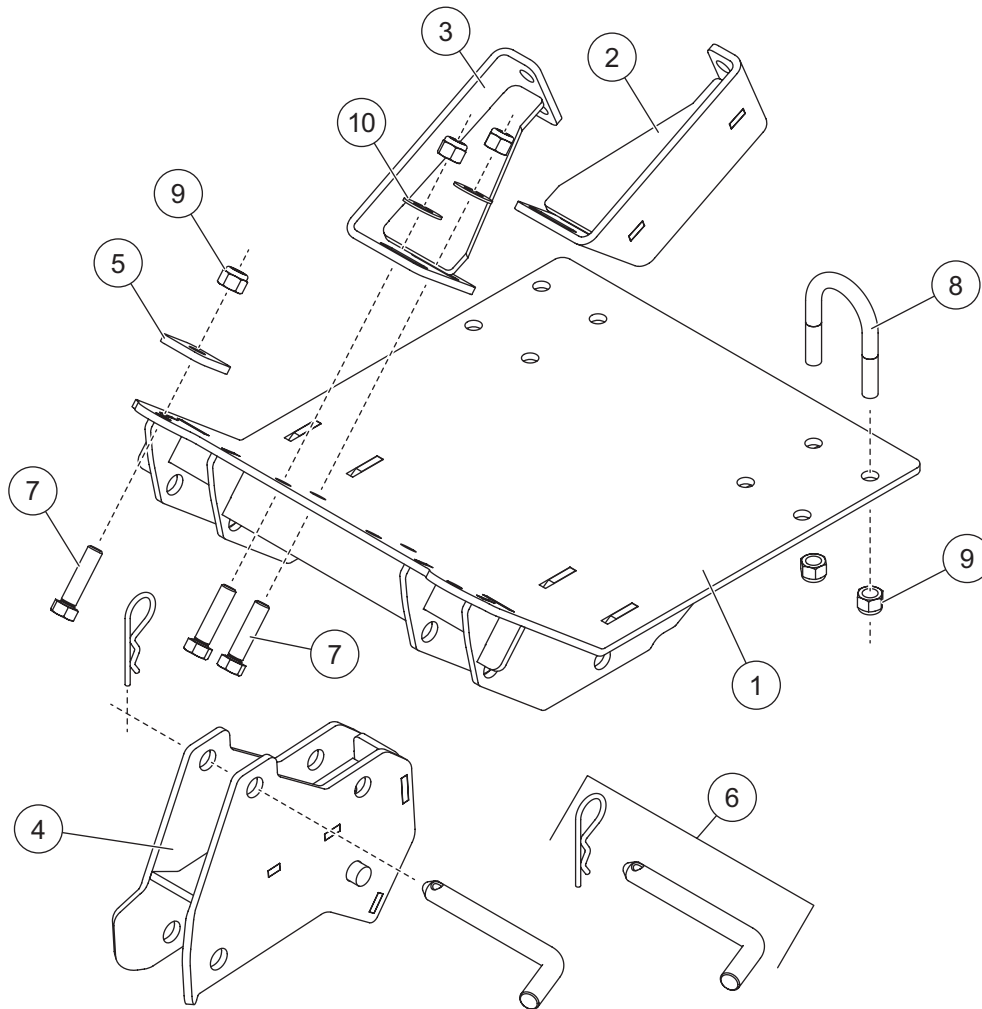


PARTS LIST



35217 Mount Kit							
Item	Part	Qty	Description	Item	Part	Qty	Description
1	79251	1	Skid Plate Assembly	ns	74077	1	Jumper Connector, 4-Position
2	79252	1	Front Bracket, DS	ns	28587	1	Vehicle Control Harness
3	79253	1	Front Bracket, PS	ns	90730	1	Fuse Kit, 200A
4	79581	2	Receiver	ns	61548K	1	Plug Cover Kit
5	70627	2	Square Washer	ns		12	Cable Tie
6	84610	4	1/2 x 4 Pin Kit	ns		1	Heat Shrink Tubing
ns	79255	1	Bolt Bag	ns		1	Splice Package
ns	72168	1	Vehicle Cable Assembly				
79255 Bolt Bag							
7		6	3/8-16 x 1-1/2 Hex Cap Screw G5	9		14	3/8-16 Hex Locknut GB
8		2	3/8-16 x 1-1/2 x 2-1/2 U-Bolt	10		4	3/8 Flat Washer Hardened
ns = not shown				G = Grade			

Copyright © 2022 Douglas Dynamics, LLC. All rights reserved. This material may not be reproduced or copied, in whole or in part, in any printed, mechanical, electronic, film, or other distribution and storage media, without the written consent of the company. Authorization to photocopy items for internal or personal use by the company's outlets or snowplow owner is granted.

The company reserves the right under its product improvement policy to change construction or design details and furnish equipment when so altered without reference to illustrations or specifications used. This equipment manufacturer or the vehicle manufacturer may require or recommend optional equipment for snow removal. Do not exceed vehicle ratings with a snowplow. The company offers a limited warranty for all snowplows and accessories. See separately printed page for this important information.

Printed in U.S.A.
