



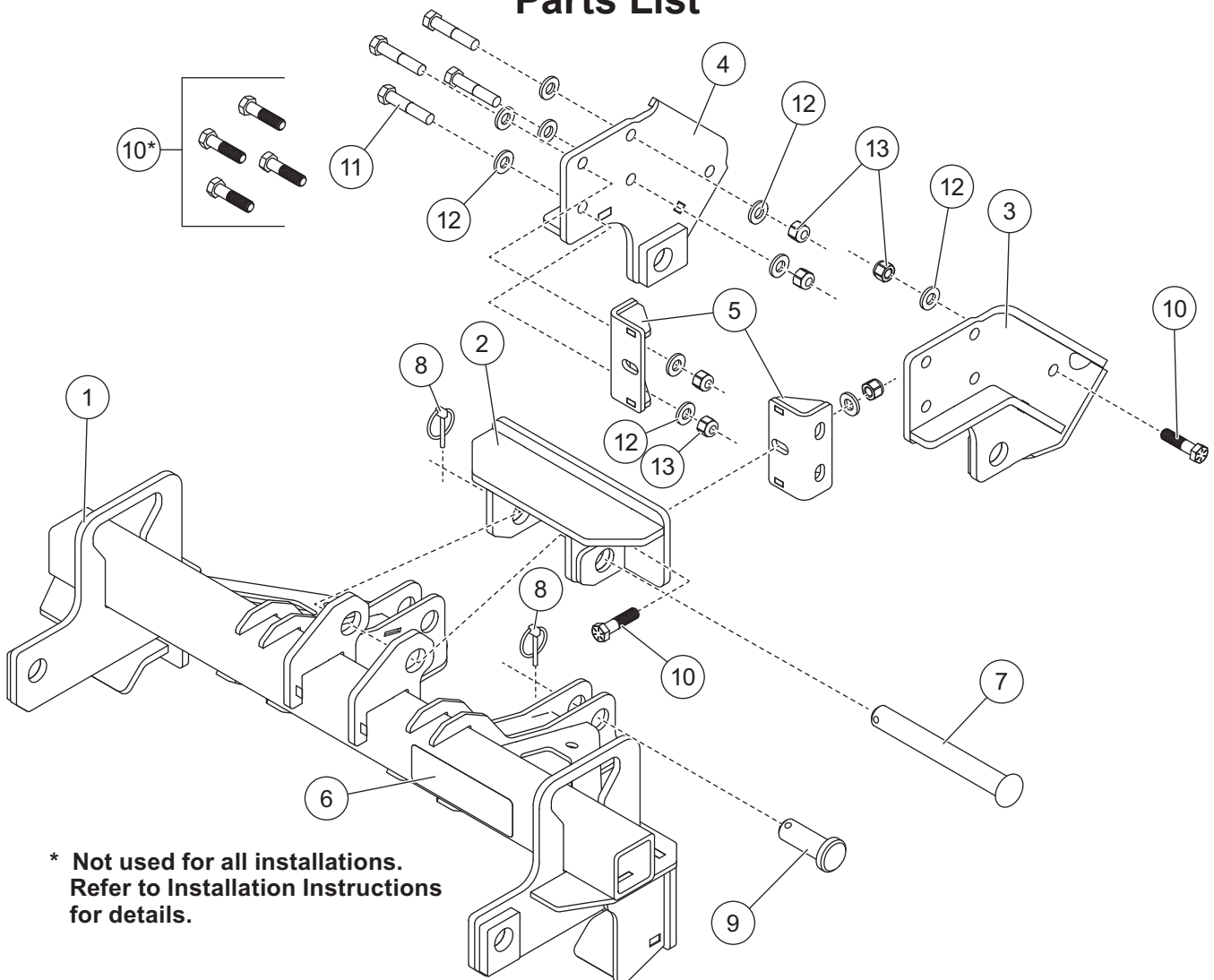
Minute² SYSTEM

MOUNT KIT

John Deere 2032/2038 Tractor

2019-__

Parts List



77995 Mount Kit							
Item	Part	Qty	Description	Item	Part	Qty	Description
1	72865	1	Mount Beam	ns	79685	1	Bolt Bag
2	79682	1	Front Mount Plate	ns	72168	1	Vehicle Cable Assembly
3	79680	1	Mount Plate, Left-Hand	ns	74077	1	Jumper Connector, 4-Position
4	79681	1	Mount Plate, Right-Hand	ns	28587	1	Vehicle Control Harness
5	79683	2	Bracket	ns	61548K	1	Plug Cover Kit
6	77506	1	Label – Caution, Tractor RMV Loader	ns	90730	1	Fuse Kit, 200A
7	27979	1	1 x 8 Clevis Pin	ns		12	Cable Tie
8	93042	3	3/16 Linchpin	ns		1	Heat Shrink Tubing
9	27227	2	1 x 2-3/4 Clevis Pin	ns		1	Splice Package
79685 Bolt Bag							
10*		12	1/2-13 x 2 Hex Cap Screw G8	12		20	1/2 Hardened Flat Washer Type 1
11*		8	1/2-13 x 2-1/2 Hex Cap Screw G8	13		12	1/2-13 Hex Locknut GB
ns = not shown				G = Grade			

* Eight of these cap screws are not used, depending on the application. Refer to Installation Instructions for details.

Copyright © 2021 Douglas Dynamics, LLC. All rights reserved. This material may not be reproduced or copied, in whole or in part, in any printed, mechanical, electronic, film, or other distribution and storage media, without the written consent of Fisher Engineering. Authorization to photocopy items for internal or personal use by Fisher Engineering outlets or snowplow owner is granted.

Fisher Engineering reserves the right under its product improvement policy to change construction or design details and furnish equipment when so altered without reference to illustrations or specifications used. Fisher Engineering or the vehicle manufacturer may require or recommend optional equipment for snow removal. Do not exceed vehicle ratings with a snowplow. Fisher Engineering offers a limited warranty for all snowplows and accessories. See separately printed page for this important information. The following are registered (®) trademarks of Douglas Dynamics, LLC: FISHER®, Minute Mount® 2.

Printed in U.S.A.