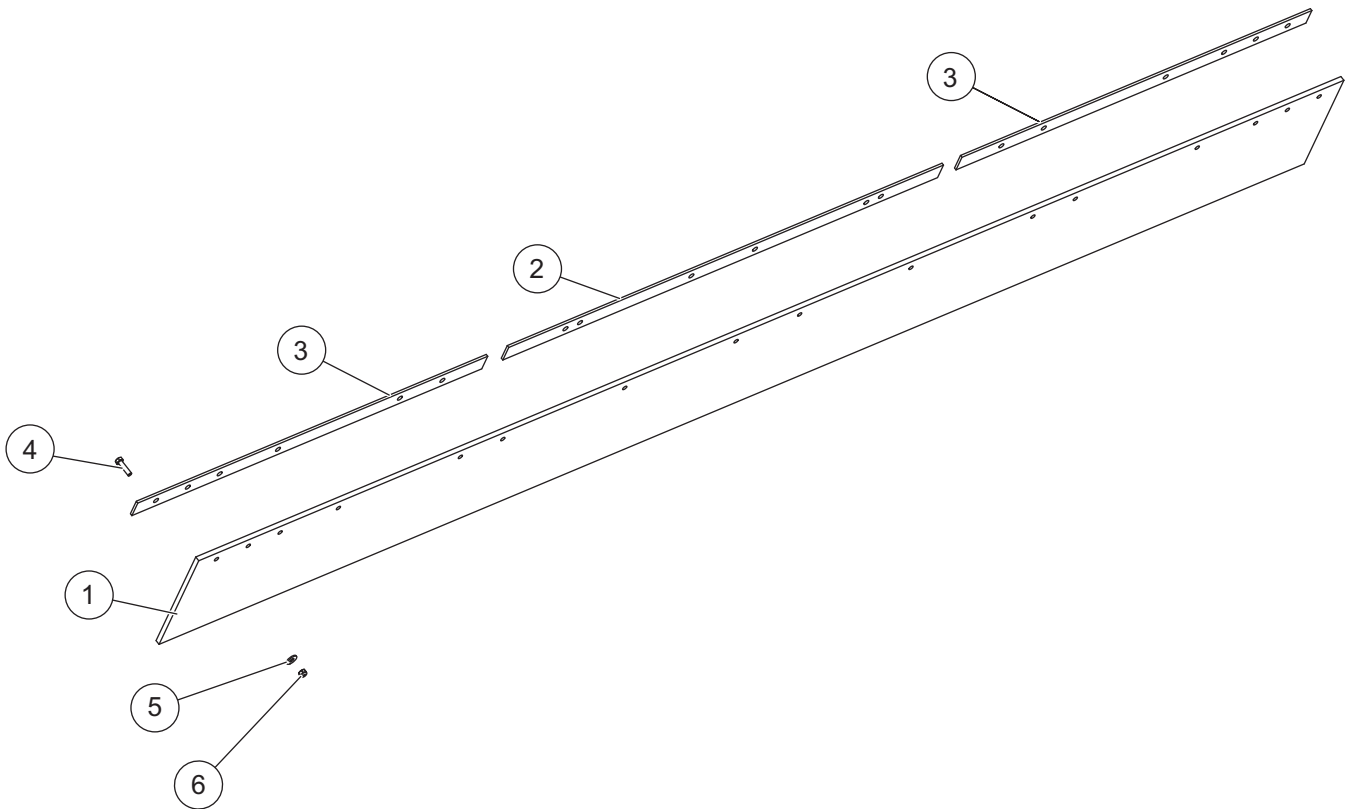




# Rubber Deflector Kit

## 7'-2" & 6'-8" Straight Blade Snowplows

### PARTS LIST



85263 Rubber Deflector Kit for 6'-8" & 7'-2" Blades							
Item	Part	Qty	Description	Item	Part	Qty	Description
1	85261	1	Rubber Deflector	3	84541	2	Retainer Bar – Outside
2	84542	1	Retainer Bar – Center	ns	84673	1	Bolt Bag
84673 Bolt Bag							
4		12	5/16-18 x 1-1/4 Hex Cap Screw G5	6		12	5/16-18 Hex Locknut GB
5		12	5/16 Flat Washer				
ns = not shown				G = Grade			

## INSTALLATION INSTRUCTIONS

### ⚠ WARNING

Do not exceed GVWR or GAWR, including blade and ballast. The rating label is found on the driver-side vehicle door cornerpost.

### ⚠ CAUTION

Read this document before installing the rubber deflector kit.

### ⚠ CAUTION

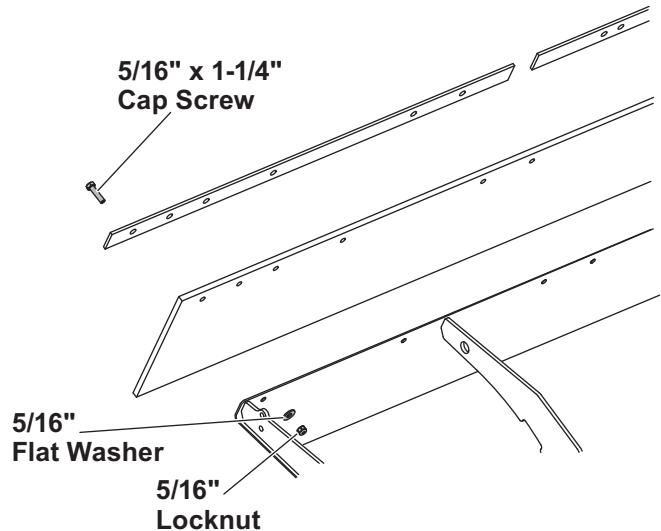
Use standard methods and practices when attaching snowplow and installing accessories, including proper personal protective safety equipment.

### ⚠ CAUTION

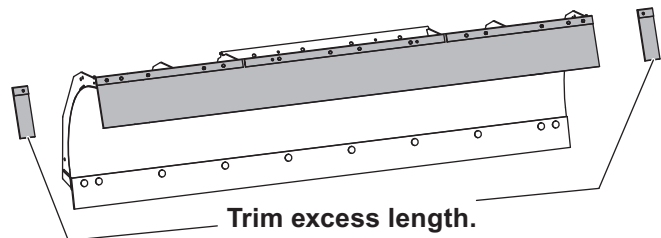
See your FISHER® outlet/website for specific vehicle application recommendations before installation. The eMatch selection system has specific vehicle and snowplow requirements.

1. Park the vehicle on a smooth, level, hard surface, such as concrete. Lower the blade to the ground, and turn the control OFF. Turn the vehicle ignition to the "OFF" position and remove the key.

2. Align the deflector on the blade, matching up the holes in the deflector with the holes in the moldboard.



3. On 6' 8" blades, the deflector extends beyond the ends of the blade. Trim excess length from both ends of deflector and retainer bars as shown.



4. Attach the retainer bars and deflectors to the blade using the supplied 5/16" x 1-1/4" cap screws, washers, and locknuts. Tighten fasteners until the retainer bars are tight against the deflector.
5. Touch up the paint on the ends of the retainer bars, using FISHER Black Enamel touch-up paint (not included).

Copyright © 2017 Douglas Dynamics, LLC. All rights reserved. This material may not be reproduced or copied, in whole or in part, in any printed, mechanical, electronic, film or other distribution and storage media, without the written consent of Fisher Engineering. Authorization to photocopy items for internal or personal use by Fisher Engineering outlets or snowplow owner is granted.

Fisher Engineering reserves the right under its product improvement policy to change construction or design details and furnish equipment when so altered without reference to illustrations or specifications used. Fisher Engineering or the vehicle manufacturer may require or recommend optional equipment for snow removal. Do not exceed vehicle ratings with a snowplow. Fisher Engineering offers a limited warranty for all snowplows and accessories. See separately printed page for this important information. The following are registered (®) or unregistered (™) trademarks of Douglas Dynamics, LLC: FISHER®.

Printed in U.S.A.