



90750, 90800, 90850, 90900, 93800, 93900, 97200, 97200-1  
97200-3, 97200-4, 97250-2(CH), 97250-3(CH)  
**Fisher Engineering** 97250-4(CH), 97300-1, 97300-3, 97300-4

50 Gordon Drive, Rockland, Maine 04841-2139 • [www.fisherplows.com](http://www.fisherplows.com)

February 1, 2023  
Lit. No. 85302, Rev. 12



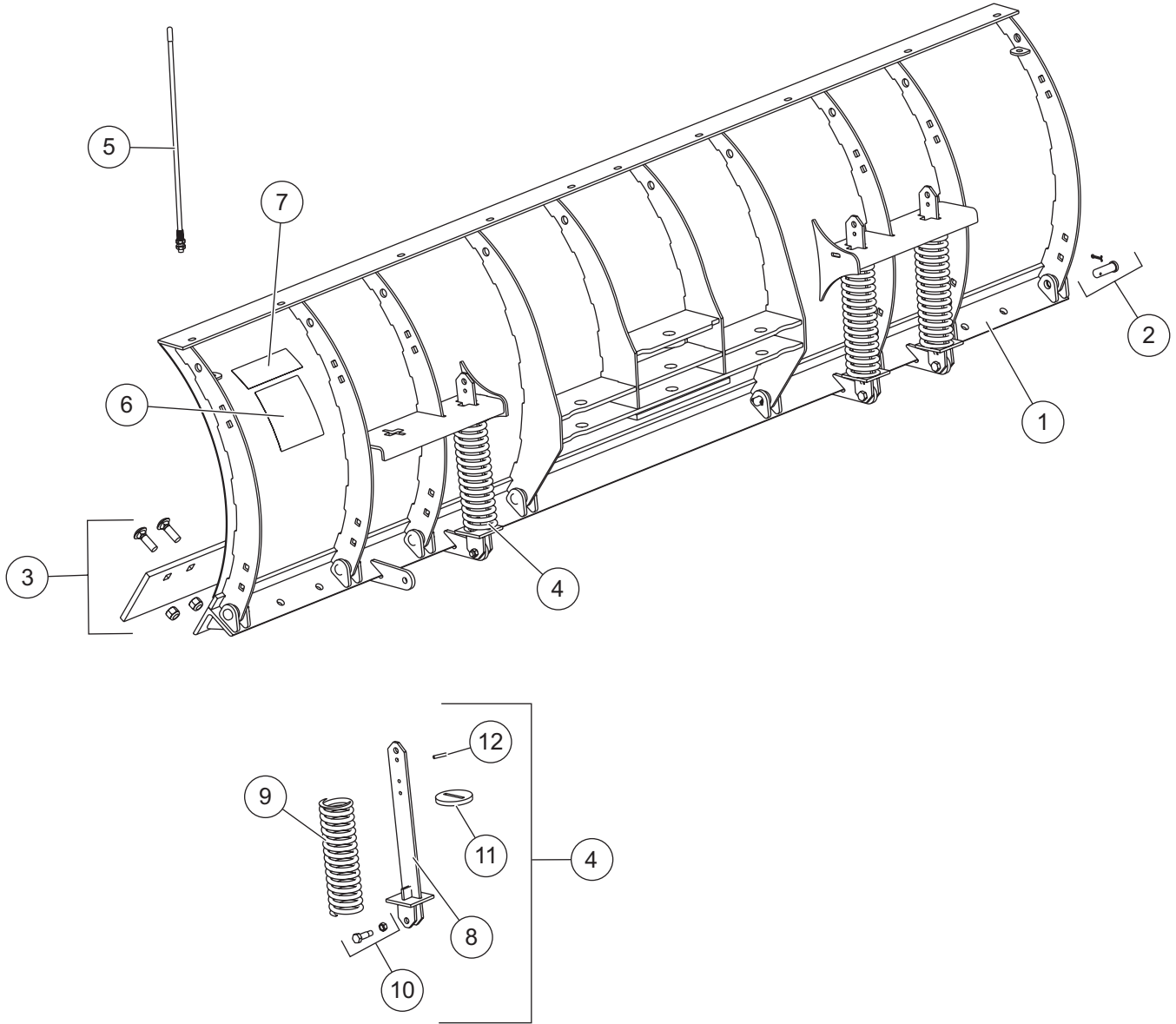
## Blade and Off-Truck Kit

**HD2™ and HDX™ Snowplows**  
**Includes Central Hydraulics Applications**  
**Parts List**



<b>BLADE COMPONENTS</b> .....	4
HD2™ Blade Assembly .....	4
HDX™ Blade Assembly .....	6
HD2 and HDX Accessories.....	8
<b>OFF-TRUCK KITS</b> .....	10
A-Frame Components .....	10
Headgear Components.....	12
Hydraulic Unit Components .....	14
Lift and Angle Rams Components .....	16
Hoses and Fittings .....	16
Electrical Components.....	17
Vehicle-Side Harness Diagrams.....	18
3-Port, 2-Plug System.....	18
Central Hydraulics .....	19
Headlamp Kits.....	20–21

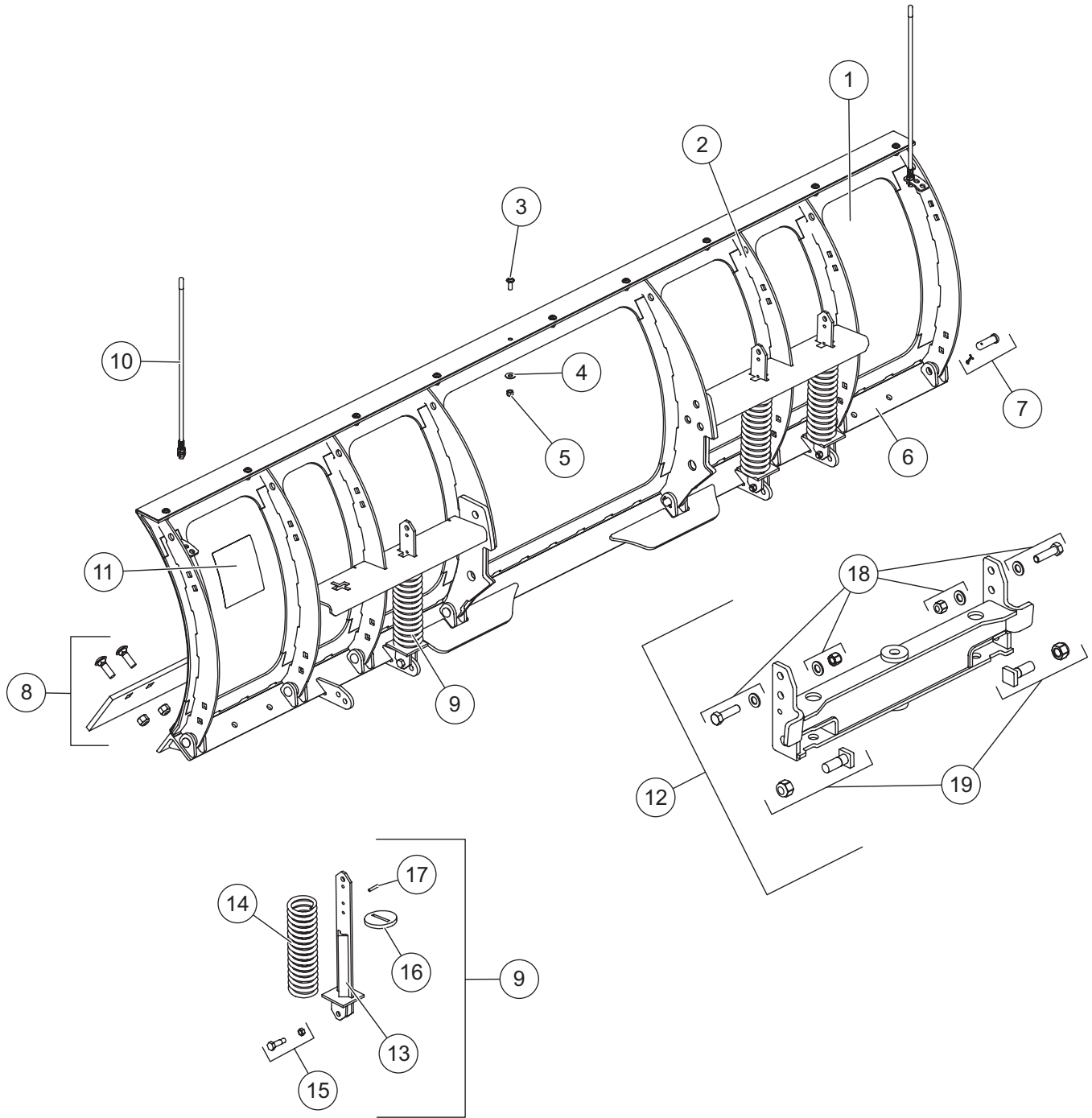
HD2™ Blade Assembly



**90750, 90800, 90850, 90900, 93800, 93900, 97200, 97200-1, 97200-3, 97200-4  
97250-2(CH), 97250-3(CH), 97250-4(CH), 97300-1, 97300-3, 97300-4**

<b>90750/90800/90850/90900 HD2™ Blade Assembly – 7'6"/8'8'6"/9'</b>							
<b>Item</b>	<b>Part</b>	<b>Qty</b>	<b>Description</b>	<b>Item</b>	<b>Part</b>	<b>Qty</b>	<b>Description</b>
1	52511	1	Base Angle – 7'6"	4	26464	4	Removable Spring Assembly
	52512	1	Base Angle – 8'	5	7906K	1	Blade Guide Kit (set of 2)
	52513	1	Base Angle – 8'6"	6	59900	1	Label – Warning/Caution, Snowplows
	52514	1	Base Angle – 9'	7	26211	1	Label – Logo, STORM GUARD™
2	84844	8	3/4 x 2-3/16 Machine Pin w/Cotter	ns	20238	1	Label – Logo, FISHER® Logo
3	5532	1	3/8 Steel Cutting Edge – 7'6"	ns	43893	1	Label – Logo, HD2
	5533	1	1/2 Steel Cutting Edge – 8'				
	26460	1	1/2 Steel Cutting Edge – 8'6"				
	5534	1	1/2 Steel Cutting Edge – 9'				
<b>Item 4</b>	<b>26464 Removable Spring Assembly</b>						
8	20757	1	Removable Spring Bar	11	20191	1	Removable Spring Disk
9	27406	1	Trip Spring	12	20181	1	1/4 x 1-1/4 Pin
10	40905	1	Shoulder Bolt w/Locknut				
ns = not shown							

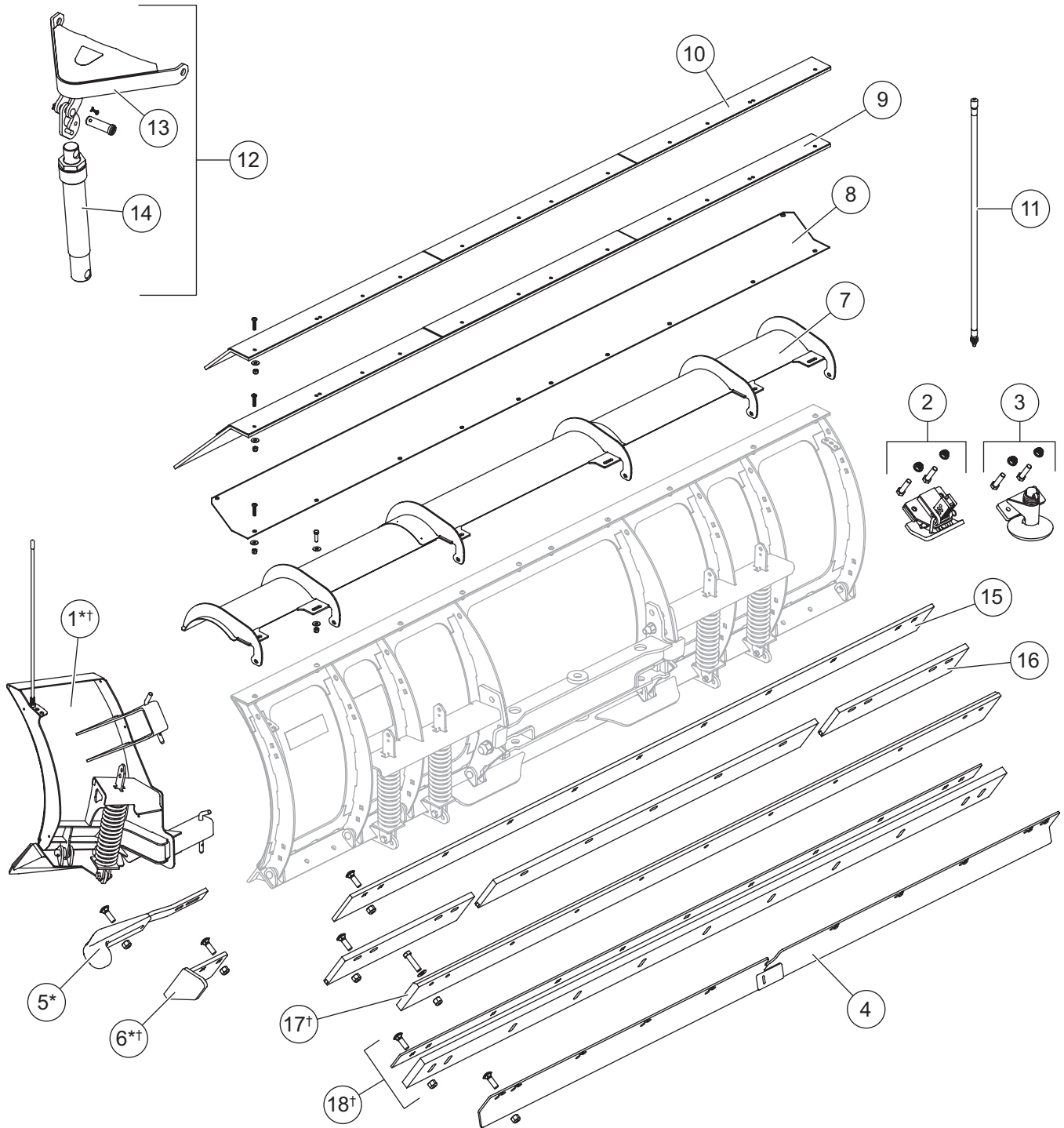
HDX™ Blade Assembly



**90750, 90800, 90850, 90900, 93800, 93900, 97200, 97200-1, 97200-3, 97200-4  
97250-2(CH), 97250-3(CH), 97250-4(CH), 97300-1, 97300-3, 97300-4**

<b>93800/93900 HDX™ Blade Assembly – 8'9'</b>							
<b>Item</b>	<b>Part</b>	<b>Qty</b>	<b>Description</b>	<b>Item</b>	<b>Part</b>	<b>Qty</b>	<b>Description</b>
1	52164	1	Moldboard Kit SS – 8'	7	84844	8	3/4 x 2-3/16 Machine Pin w/Cotter
	52163	1	Moldboard Kit SS – 9'	8	5533	1	1/2 Steel Cutting Edge – 8'
2	52165	1	Blade Frame (w/o base angle) – 8'		5534	1	1/2 Steel Cutting Edge – 9'
	52166	1	Blade Frame (w/o base angle) – 9'	9	26464	4	Removable Spring Assembly
3	98035	10	3/8-16 x 1 Button Cap Screw SS	10	7906K	1	Blade Guide (set of 2)
4	29233	10	3/8 Hardened Flat Washer	11	59900	1	Label – Warning/Caution, Snowplows
5	95410	10	3/8 x 16 Brass Locknut	12	52588	1	Articulating Quadrant w/Fasteners
6	52167	1	Base Angle – 8'	ns	20238	1	Label – Logo, FISHER®
	52182	1	Base Angle – 9'	ns	43672	1	Label – Logo, HDX
<b>Item 9</b>				<b>26464 Removable Spring Assembly</b>			
13	20757	1	Removable Spring Bar	16	20191	1	Removable Spring Disc
14	27406	1	Trip Spring	17	20181	1	1/4 x 1-1/4 Pin
15	40905	1	Shoulder Bolt w/Locknut				
<b>Item 12</b>				<b>52588 Articulating Quadrant w/Fasteners</b>			
		1	Quadrant	19	52595	1	1-14 x 2-3/4 Square Bolt Kit G8
18	52638	1	3/4-10 x 2-3/4 Fastener Kit G5				
		G = Grade				ns = not shown	
						SS = Stainless Steel	

HD2™ & HDX™ Accessories





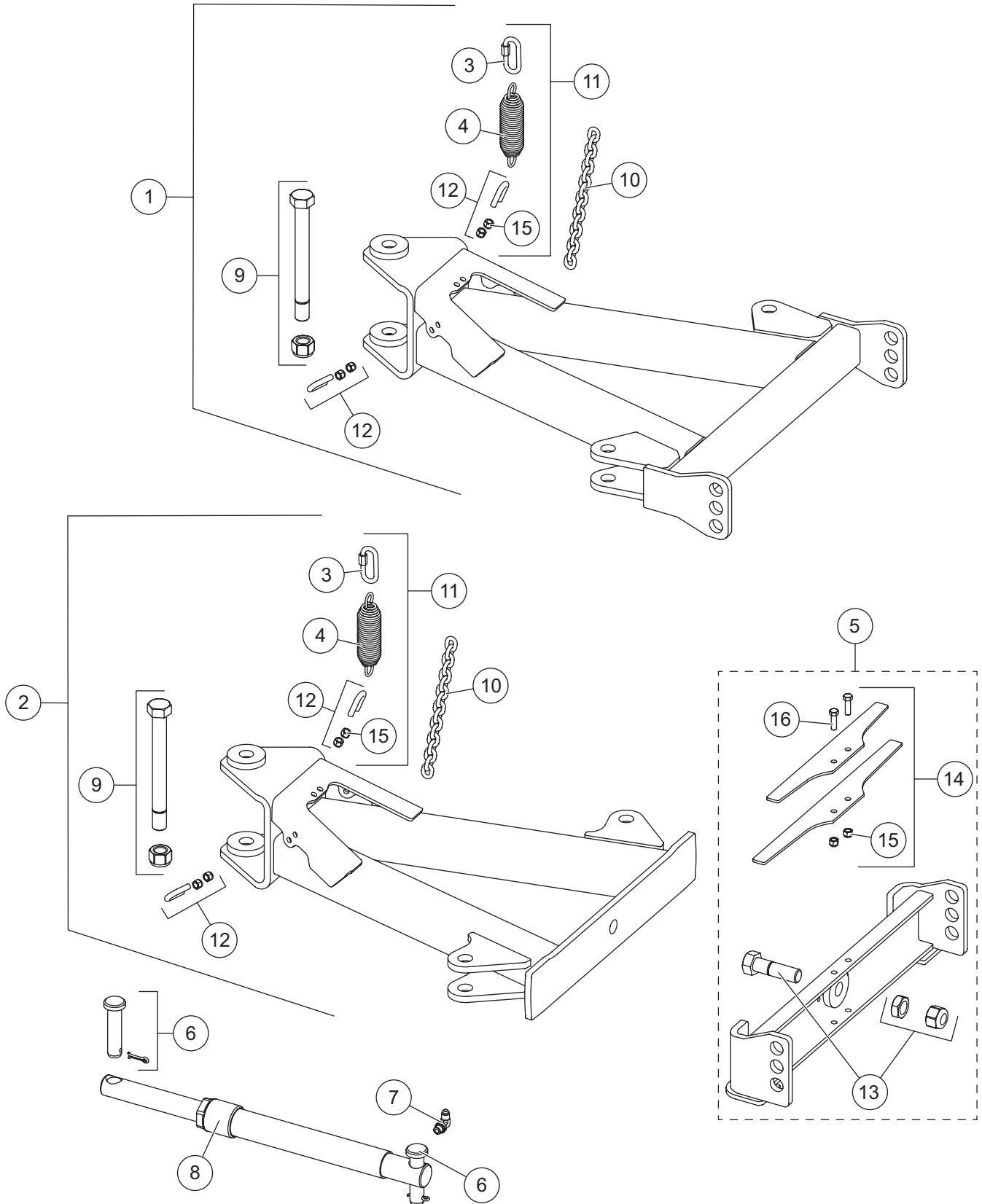
**90750, 90800, 90850, 90900, 93800, 93900, 97200, 97200-1, 97200-3, 97200-4  
97250-2(CH), 97250-3(CH), 97250-4(CH), 97300-1, 97300-3, 97300-4**

<b>HD2™ &amp; HDX™ Accessories</b>				
<b>Item Description</b>	<b>Part Number</b>			
	<b>7'6" Blade</b>	<b>8' Blade</b>	<b>8'6" Blade</b>	<b>9' Blade</b>
1*† Accessory Wings – PS/DS	41790			
2 HDX & HD2 Adjustable Shoe Kit (set of 2)	41785			
3 HD2 Cast Shoe Kit (set of 2)	52506			
4 Back Drag Edge Kit	51996-1	51997-1	51998	51999
5* Curb Guard Kit (set of 2)	44405			44406
6*† Wear/Curb Guard Kit – PS/DS	51879			51880
7 SnoFoil® Assembly	52488			
8 Steel Deflector	41844	41845	41846	41847
9 18" Rubber Deflector Kit	52097	52098	52099	
10 10" Rubber Deflector Kit	52094	52095	52096	
11 36" Commercial Blade Guide Kit (set of 2)	51975			
12 HD Lift Arm & 1-3/4 Lift Ram Kit (yellow)	43875			
HD Lift Arm & 1-3/4 Lift Ram Kit (silver)	–	41859	–	41859
13 Heavy Duty Lift Arm (yellow)	28350-2			
Heavy Duty Lift Arm (silver)	–	27560-2	–	27560-2
14 1-3/4 x 10 Lift Ram	43132-1			
ns 1/2 Steel Cutting Edge Kit	50678	–	–	–
15 5/8 Steel Cutting Edge Kit	52675	52680	52685	52690
16 Carbide Insert Cutting Edge Kit	52147	52148	52149	52150
17† Poly Cutting Edge Kit	52168		52169	52170
18† Rubber Cutting Edge Kit	52118		52119	52120
ns = not shown				

\* Items 5 and 6 curb guards not compatible with accessory wings (item 1).

† Items 17 and 18 cutting edges not compatible with accessory wings (item 1) or wear/curb guards (item 6).

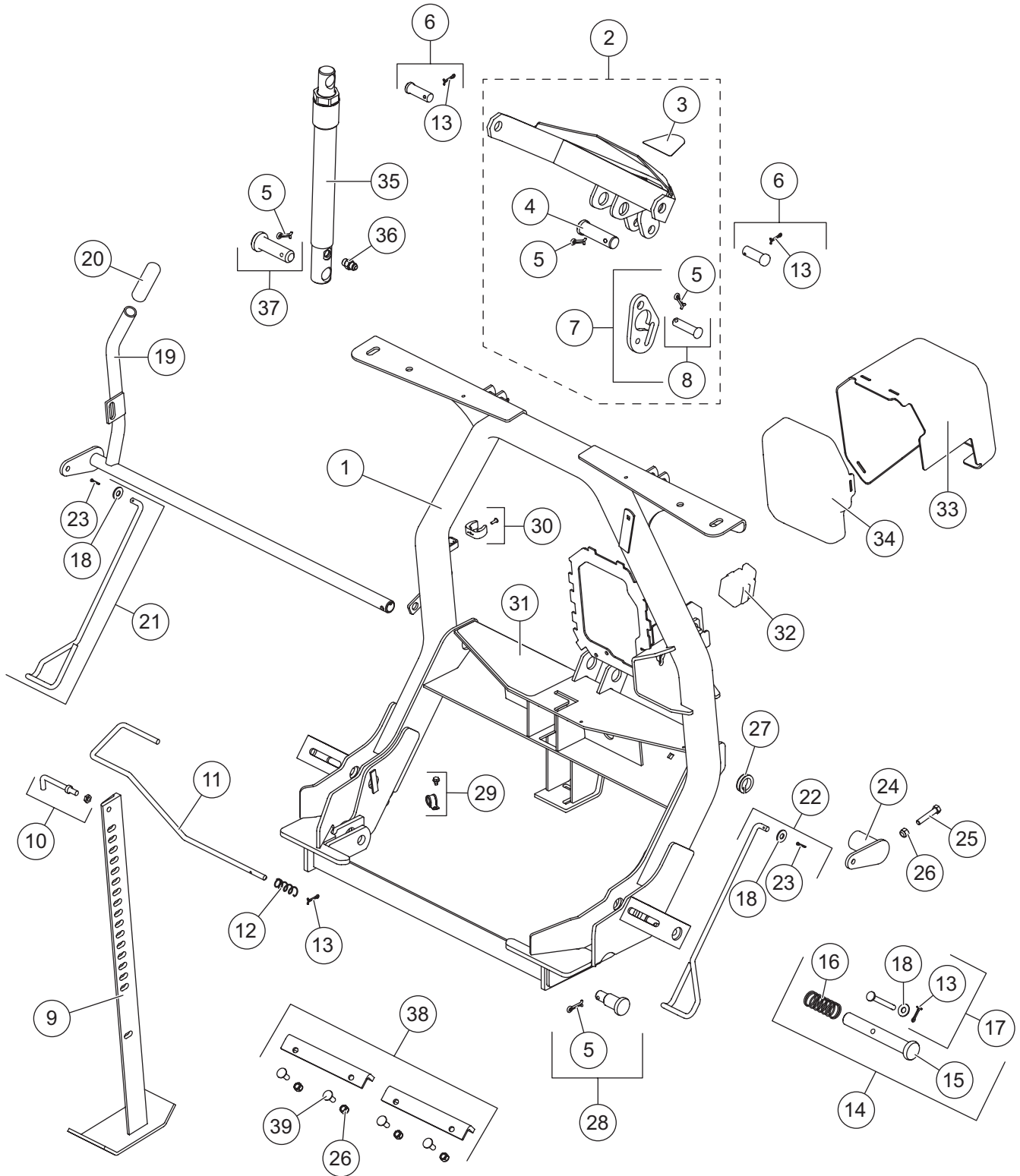
A-Frame Components



**90750, 90800, 90850, 90900, 93800, 93900, 97200, 97200-1, 97200-3, 97200-4  
97250-2(CH), 97250-3(CH), 97250-4(CH), 97300-1, 97300-3, 97300-4**

<b>A-Frame Components</b>							
<b>Item</b>	<b>Part</b>	<b>Qty</b>	<b>Description</b>	<b>Item</b>	<b>Part</b>	<b>Qty</b>	<b>Description</b>
1	52186	1	A-Frame Kit – HD2™	5	52184	1	Pivot Beam Kit – HDX
2	52185	1	Articulating A-Frame Kit – HDX™ (includes pivot beam)	6	43603	4	1 x 3-3/4 Clevis Pin w/Cotter
3	68340	1	Quick Link	7	56725	2	Elbow, 90° –6 M JIC/–6 M ORB
4	27074	1	Spring	8	56603K	2	1-1/2 x 12 Angle Ram Assembly
<b>Item 1</b>				<b>52186 A-Frame Kit – HD2</b>			
		1	A-Frame (without articulation)	11	49521	1	Spring/U-Bolt/Link Kit
9	50668	1	1 x 9-1/2 Pivot Bolt Kit	12	A6148K	3	U-Bolt Assembly Packet
10	26999-1	1	5/16 G43 Lift Chain Bag				
<b>Item 2</b>				<b>52185 Articulating A-Frame Kit – HDX</b>			
		1	A-Frame (with articulation)	10	26999-1	1	5/16 Grade 43 Lift Chain Bag
		1	Pivot Beam	11	49521	1	Spring/U-Bolt/Link Kit
9	50668	1	1 x 9-1/2 Pivot Bolt Kit	12	A6148K	3	U-Bolt Assembly Packet
<b>Item 5</b>				<b>52184 Pivot Beam Kit – HDX</b>			
13	52621	1	1-8 x 3-1/2 G5 Bolt w/Jam Nut and Locknut – HDX	14	51130	1	Leaf Spring Kit – HDX
<b>Item 11</b>				<b>49521 Spring/U-Bolt/Link Kit</b>			
3	68340	1	Quick Link	12	A6148K	3	U-Bolt Assembly Packet
4	27074	1	Spring				
<b>Item 12</b>				<b>A6148K U-Bolt Assembly Packet</b>			
		1	3/8-16 x 1-5/8 x 1/2 x 1-1/8 U-Bolt G5	15	91333	2	3/8-16 Hex Locknut GB
<b>Item 14</b>				<b>51130 Leaf Spring Kit – HDX</b>			
		1	Lower Leaf Spring	15	91333	2	3/8-16 Hex Locknut GB
		1	Upper Leaf Spring	16	66456	2	3/8-16 x 1-1/4 Hex Cap Screw G5
G = Grade				M = Male			

### Headgear Components



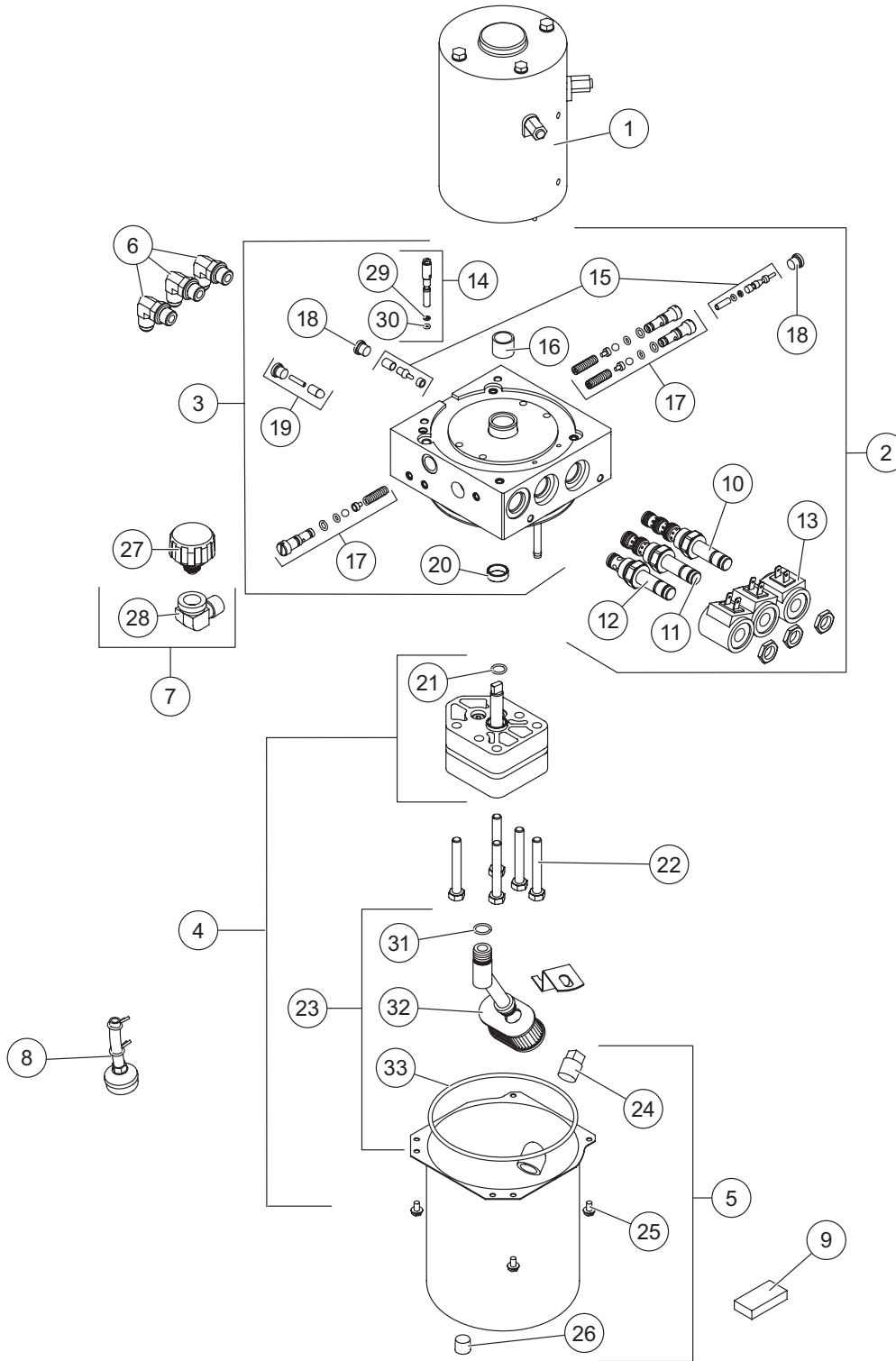
**90750, 90800, 90850, 90900, 93800, 93900, 97200, 97200-1, 97200-3, 97200-4  
97250-2(CH), 97250-3(CH), 97250-4(CH), 97300-1, 97300-3, 97300-4**

<b>Headgear Components</b>							
<b>Item</b>	<b>Part</b>	<b>Qty</b>	<b>Description</b>	<b>Item</b>	<b>Part</b>	<b>Qty</b>	<b>Description</b>
1	49652	1	Headgear – HD2™/HDX™	23	91902	2	1/8 x 1 Cotter Pin
2	26757-1	1	Lift Arm Service Kit – Yellow	24	27465	1	Link Arm
	27560-2	1	Lift Arm Service Kit – Silver	25	90043	1	3/8-16 x 2 Hex Cap Screw G5
3	26777	1	Label – Nameplate, Minute Mount® 2	26	91333	5	3/8-16 Hex Locknut GB
4	95720	1	1 x 3.313 Clevis Pin HT	27	27163K	2	Snap-In Bushing Kit (2 bushings)
5	90601	5	1/4 x 1-1/2 Cotter Pin	28	27177K	2	Step Pin Kit (incl. item 5)
6	4289K	2	3/4 x 1-7/8 Machine Pin Packet	29*	49522	2	Clamp Loop Kit
7	28991	1	Stop Link Kit	30	27162K-1	1	Stop Clip Kit
8	29037	1	5/8 x 2-5/8 Clevis Pin w/Cotter	31	27451	1	Label – Attach/Detach, MM2
9	27462	1	Jack	32	8284K	1	Cable Boot
10	27164K	1	Handle Kit	33*	68312-1	1	Hydraulic Cover, Front
11	27478	1	Jack Lock	34*	68313-1	1	Hydraulic Cover, Rear
12	27461	1	3/4 x 3-1/2 Compression Spring	35	56600K	1	1-1/2 x 10 Lift Ram Assembly
13	90658	5	5/32 x 1-1/4 Cotter Pin	36	49526*	1	Connector –6 M JIC/–6 M ORB
14	27168K	2	Connecting Pin Kit		56725†	1	Elbow, 90° –6 M JIC/–6 M ORB
15	26833	2	1 x 6-15/16 Clevis Pin	37	43603	1	1 x 3-3/4 Clevis Pin w/Cotter (incl. item 5)
16	821	2	1 x 3-1/2 Compression Spring				
17	26219	2	3/8 x 3-1/4 Clevis Pin Kit	38	52194	1	Stacking Stop Kit – HDX
18	90315	4	3/8 Flat Washer Type A Wide	39	90201	4	3/8-16 x 1 Carriage Bolt G5
19	27468	1	Handle, Link Arm Assembly	ns	69689*	1	Label – Logo, SECURITY GUARD™
20	27535	1	Handle Cover Kit	ns	42283	–	Headgear Service Kit (incl. jack, link arm, connecting pin assemblies)
21	27166K	1	Wire Cam Kit – DS				
22	27167K	1	Wire Cam Kit – PS				
<b>Item 2</b>	<b>26757-1 (yellow) / 27560-2 (silver) Lift Arm Service Kit</b>						
	1	1	Lift Arm	5	90601	1	1/4 x 1-1/2 Cotter Pin
3	26777	1	Nameplate – Logo, Minute Mount 2	7	28991	1	Stop Link Kit
4	95720	1	1 x 3.313 Clevis Pin HT				
<b>Item 6</b>	<b>4289K 3/4 x 1-7/8 Machine Pin Packet</b>						
	1	1	Pin	13	90658	1	5/32 x 1-1/4 Cotter Pin
<b>Item 7</b>	<b>28991 Stop Link Kit</b>						
	1	1	Stop Link	8	29037	1	5/8 x 2-5/8 Clevis Pin w/Cotter
<b>Item 8</b>	<b>29037 5/8 x 2-5/8 Clevis Pin w/Cotter</b>						
	1	1	5/8 x 2-5/8 Clevis Pin	5	90601	1	1/4 x 1-1/2 Cotter Pin
<b>Item 14</b>	<b>27168K Connecting Pin Kit</b>						
15	26833	1	1 x 6-15/16 Clevis Pin	17	26219	1	3/8 x 3-1/4 Clevis Pin Kit
16	821	1	1 x 3-1/2 Compression Spring				
<b>Item 17</b>	<b>26219 3/8 x 3-1/4 Clevis Pin Kit</b>						
	1	1	3/8 x 3-1/4 Clevis Pin	18	90315	4	3/8 Flat Washer Type A Wide
13	90658	1	5/32 x 1-1/4 Cotter Pin				
<b>Item 21 or 22</b>	<b>27166K (DS) or 27167K (PS) Wire Cam Kit</b>						
	1	1	Wire Cam	23	91902	1	1/8 x 1 Cotter Pin
18	90315	1	3/8 Flat Washer Type A Wide				
<b>Item 38</b>	<b>52194 Stacking Stop Kit – HDX</b>						
	2	2	Stacking Stop	39	90201	4	3/8-16 x 1 Carriage Bolt G5
26	91333	4	3/8-16 Hex Locknut GB				
ns = not shown			G = Grade	HT = Heat Treated			M = Male

\* Not used for central hydraulics.

† Used for central hydraulics only.

### Hydraulic Unit Components



**90750, 90800, 90850, 90900, 93800, 93900, 97200, 97200-1, 97200-3, 97200-4  
97250-2(CH), 97250-3(CH), 97250-4(CH), 97300-1, 97300-3, 97300-4**

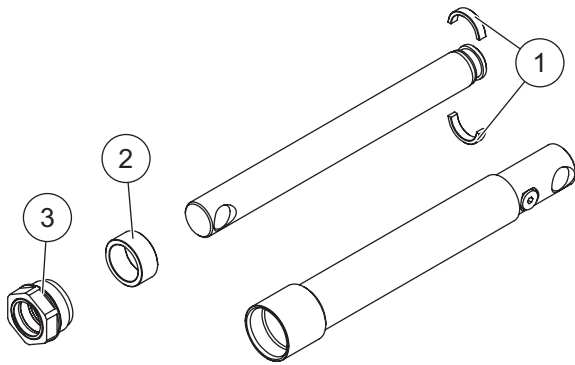
<b>42293-1 Hydraulic Unit 42291-1* Hydraulic Unit Service Kit (not used for central hydraulics)</b>							
Item	Part	Qty	Description	Item	Part	Qty	Description
1	21500K-1	1	Motor, 4-1/2	6	77929	3	Elbow, 90° –6 M JIC/–6 M ORB
2	42294-2	1	Valve Manifold Assembly	7	22344K	1	Elbow, Street 90° w/Breather
3	42292-2	1	Manifold Assembly	8	66405	1	Return Screen Assembly
4	21501K-1	1	Hydraulic Pump Kit	9	73897	1	Magnet
5	21830	1	Reservoir Kit				
<b>Item 2 42294-2 Valve Manifold Assembly</b>							
3	42292-2	1	Manifold Assembly	12	7634K-2	1	Valve, 2-Way w/Nut
10	7637K-1	1	Cartridge Valve, 4-Way w/Nut	13	7639K-2	3	Coil w/Spades
11	66608K-1	1	Cartridge Valve, 3-Way w/Nut				
<b>Item 3 42292-2 Manifold Assembly</b>							
14	56662	1	Quill Assembly (incl. items 29 & 30)	18	92960	2	Plug, Hex Socket –3 M ORB
15	7630K	1	Poppet Check Valve Kit	19	56507	1	Bypass Check Valve Kit
16**	64596-1	1	Sleeve Bearing and Shaft Seal Kit	20‡	66515	1	Pump Shaft Seal
17	7629K-4	2	Relief Valve Kit (set of 2)				
<b>Item 4 21501K-1 Hydraulic Pump Kit</b>							
21	56274	1	O-Ring -013	23	66763-1	1	Inlet Fitting/Filtering Kit
22	90073	5	5/16-18 x 2-1/4 Hex Cap Screw			1	Hydraulic Pump
<b>Item 5 21830 Reservoir Kit</b>							
24	92079	1	Plug, Square 3/8 NPTF	26	92095	1	Plug, Hex Socket 1/4 NPTF w/Thread Sealant – SAE 130109N/P
25	66607	4	#10-24 x 5/16 Slotted Hex Washer-Head Machine Screw			1	Hydraulic Reservoir
<b>Item 7 22344K Elbow, Street 90° w/Breather</b>							
27	21727-2	1	Breather Pressure Control	28	21726	1	Elbow, Street 90° 3/8 M NPTF/ 3/8 F NPTF
<b>Item 14 56662 Quill Assembly</b>							
29	56315	1	Back-Up Ring -006	30	25622	1	O-Ring -006
<b>Item 23 66763-1 Inlet Fitting/Filter Kit</b>							
31	56416	1	O-Ring -014	33	66519	1	O-Ring 2-250
32	26781-4	1	Suction Filter			1	Retainer Clip
<b>O-Ring Service Kits</b>							
–	7632K-4	–	O-Ring & Back-Up Ring Kit	–	49259-2	–	Seal Kit, 3-Way & 4-Way Valve
–	49258-2	–	Seal Kit, 2-Way Valve				
			M = Male				F = Female

\* Includes 42293-1 hydraulic unit and plow-side electrical components (p. 17).

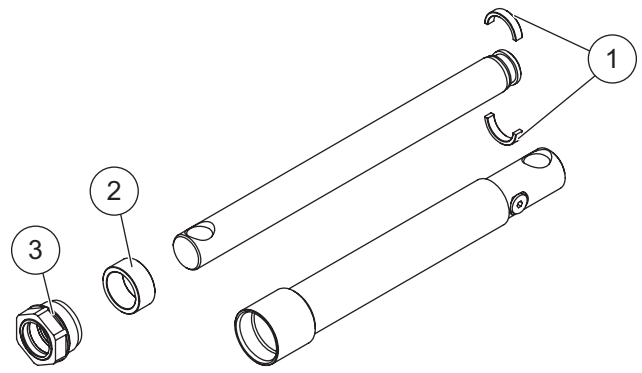
\*\* Use 64589 tool for bearing sleeve replacement (includes 1 bearing).

‡ Use 28856 tool for pump shaft seal replacement (includes 1 seal).

### Lift and Angle Ram Components

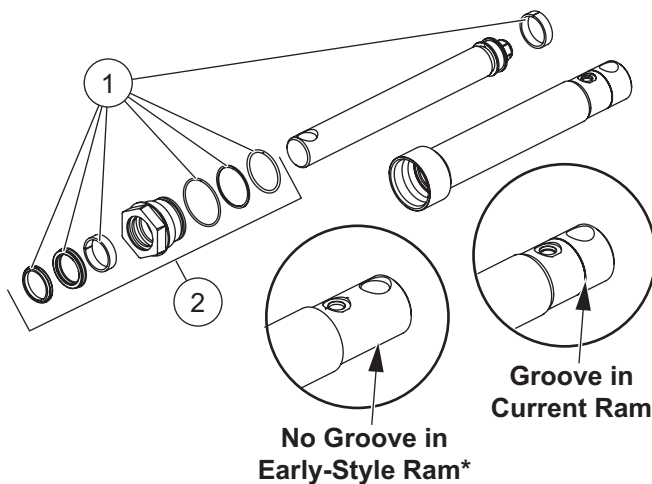


56600K Lift Ram Assembly 1-1/2 x 10			
Item	Part	Qty	Description
1	20118K	1	Split Bearing 1-1/2
2	56537	1	Spacer
3	48985	1	Gland Nut Assembly



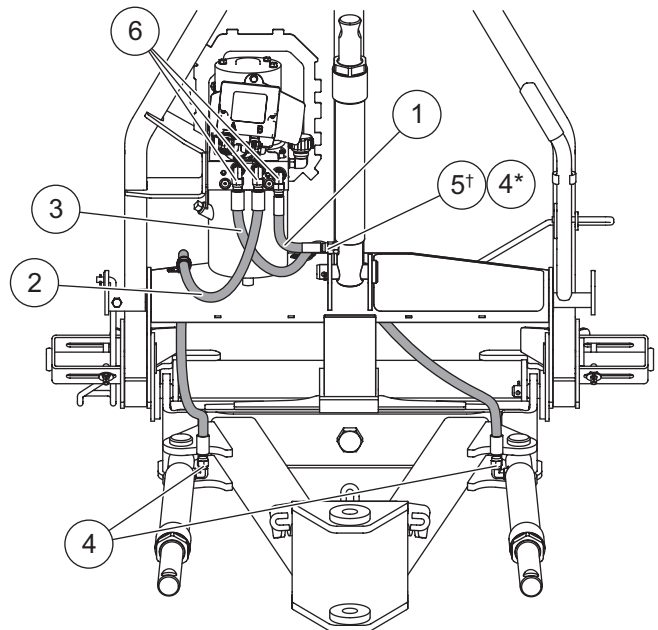
56603K Angle Ram Assembly 1-1/2 x 12			
Item	Part	Qty	Description
1	20118K	1	Split Bearing 1-1/2
2	56537	1	Spacer
3	48985	1	Gland Nut Assembly

### Hoses and Fittings



43132-1** Lift Ram Assembly 1-3/4 x 10			
Item	Part	Qty	Description
1	77924	1	Seal Kit
2	43135	1	Gland Nut Assembly

\* Early-style lift rams are obsolete and should be replaced with current-style lift ram.  
 \*\* Accessory only.



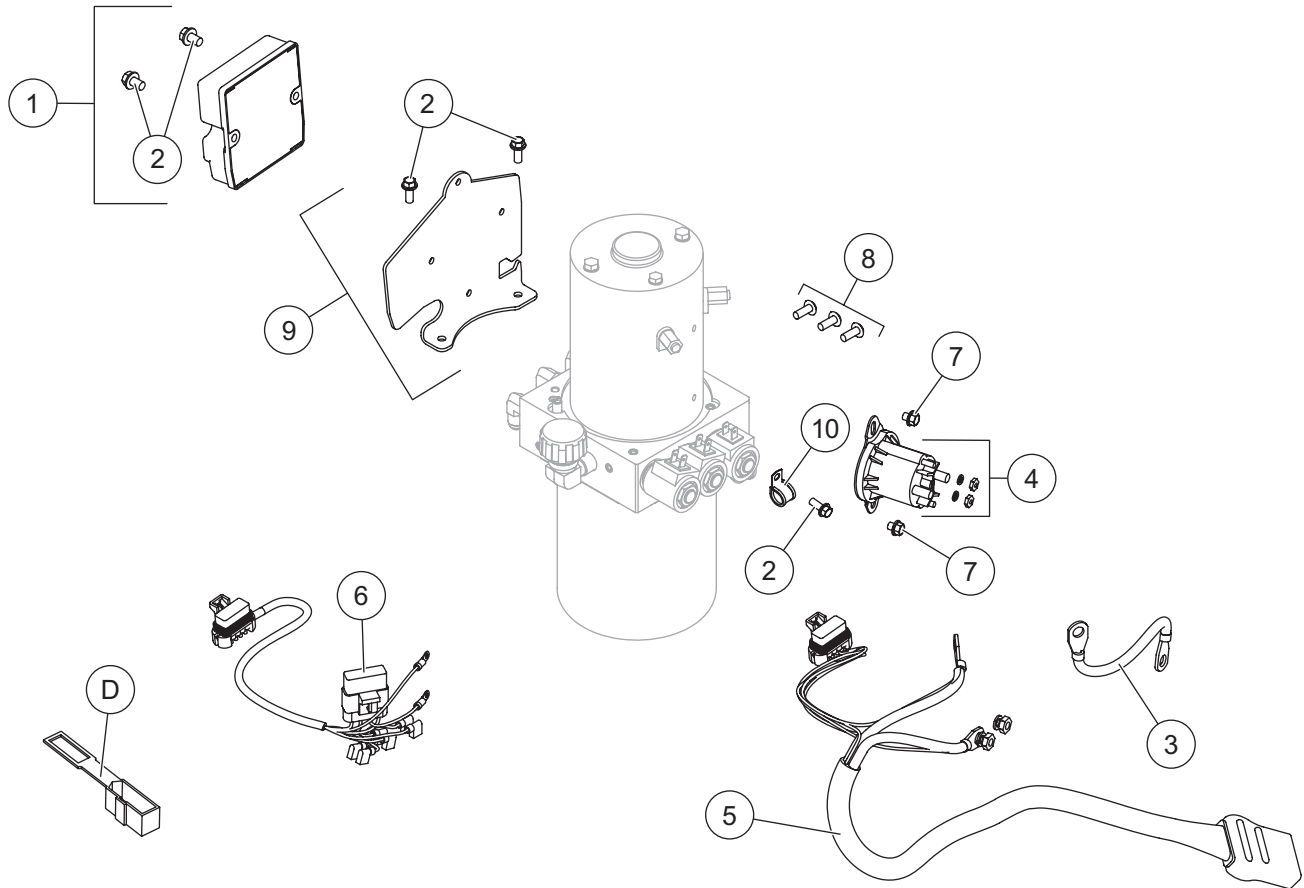
Hoses and Fittings			
Item	Part	Qty	Description
1	56832	1	Hose, 1/4 x 8 w/F JIC Ends
2	49501	1	Hose, 3/8 x 36 w/F JIC Ends
3	44348	1	Hose, 3/8 x 42 w/F JIC Ends
4*	56725	2	Elbow, 90° -6 M JIC/-6 M ORB
5†	49526	1	Connector, Short -6 M JIC/ -6 M ORB
6	77929	3	Elbow, 90° -6 M JIC/-6 M ORB w/Screen

F = Female                      M = Male

\* Central hydraulics only, qty 1.    † Not used for central hydraulics.



## Electrical Components



**Plow-Side Electrical Components**

Item	Part	Qty	Description	Item	Part	Qty	Description
1	49567	1	Plow Module, 2-Port	7	29099	2	1/4-20 x 1/4 Hex Washer-Head Thread-Rolling Screw
2	44355	5	1/4-20 x 5/8 Hex Washer-Head Thread-Rolling Screw	8	72384-1	1	3/8-16 x 1 Serrated Flange Hex Cap Screw (pkg of 3)
3	29071	1	Cable Assembly 8"	9	42287	1	Bracket – Plow Module
4	42901	1	Motor Relay Kit FLEET FLEX System	10	49522	1	Clamp Loop Kit
5	42015	1	Snowplow Battery Cable	ns	56099	1	Dielectric Grease
6	28581-1	1	Plow Control Harness, 3-Solenoid				

ns = not shown

**Vehicle-Side Electrical Components**

(diagrams on following pages)

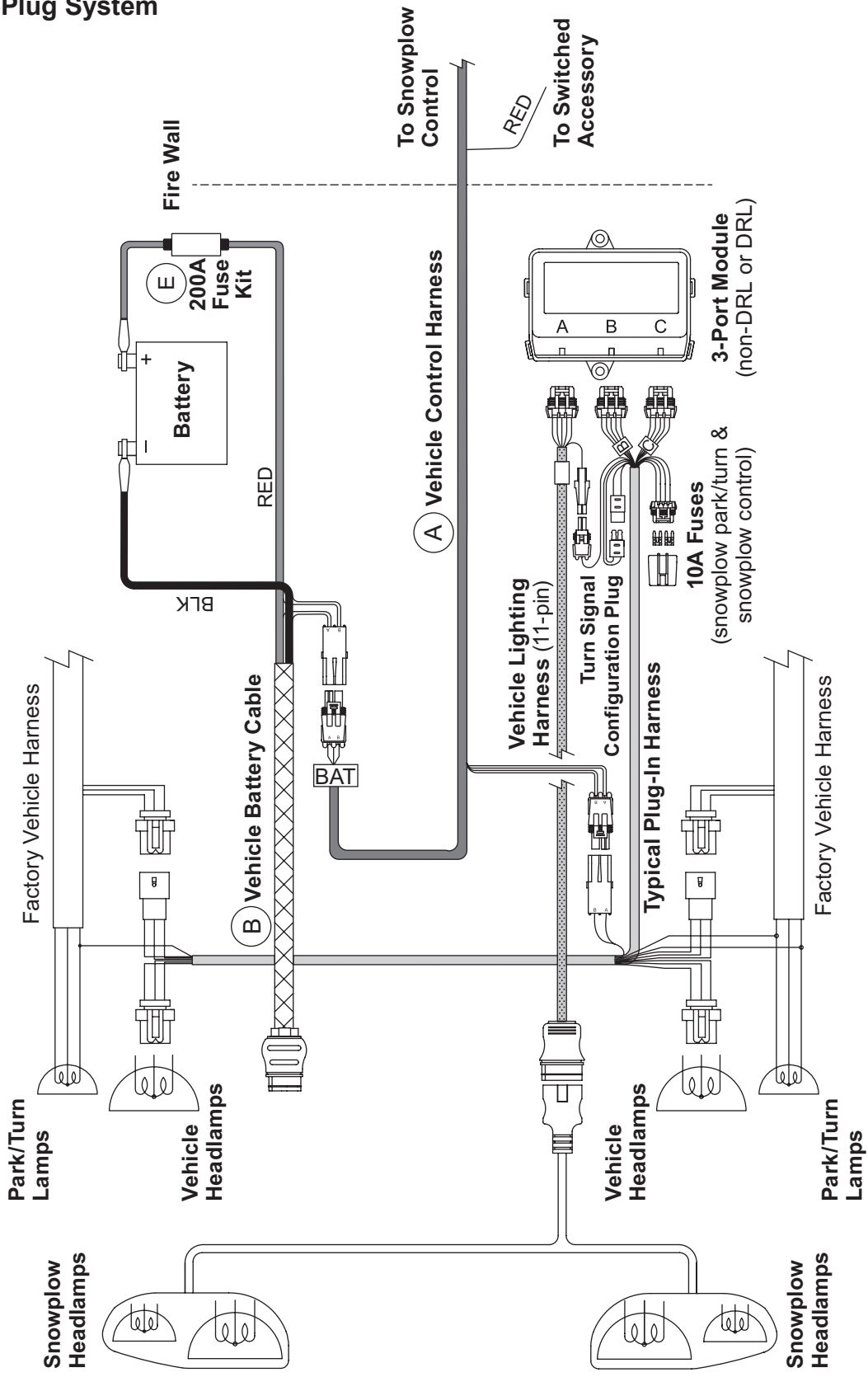
A*†	28587	1	Vehicle Control Harness	D	61548K	1	Plug Cover Kit (shown with plow-side electrical components)
B*†	72527	1	Vehicle Battery Cable	E*§	90730	1	200A Fuse Kit
C§	26498	1	Vehicle Control Harness – Central Hydraulics				

\* For diagram, see Vehicle-Side Harness Diagram – 3-Port, 2-Plug System (p. 18).

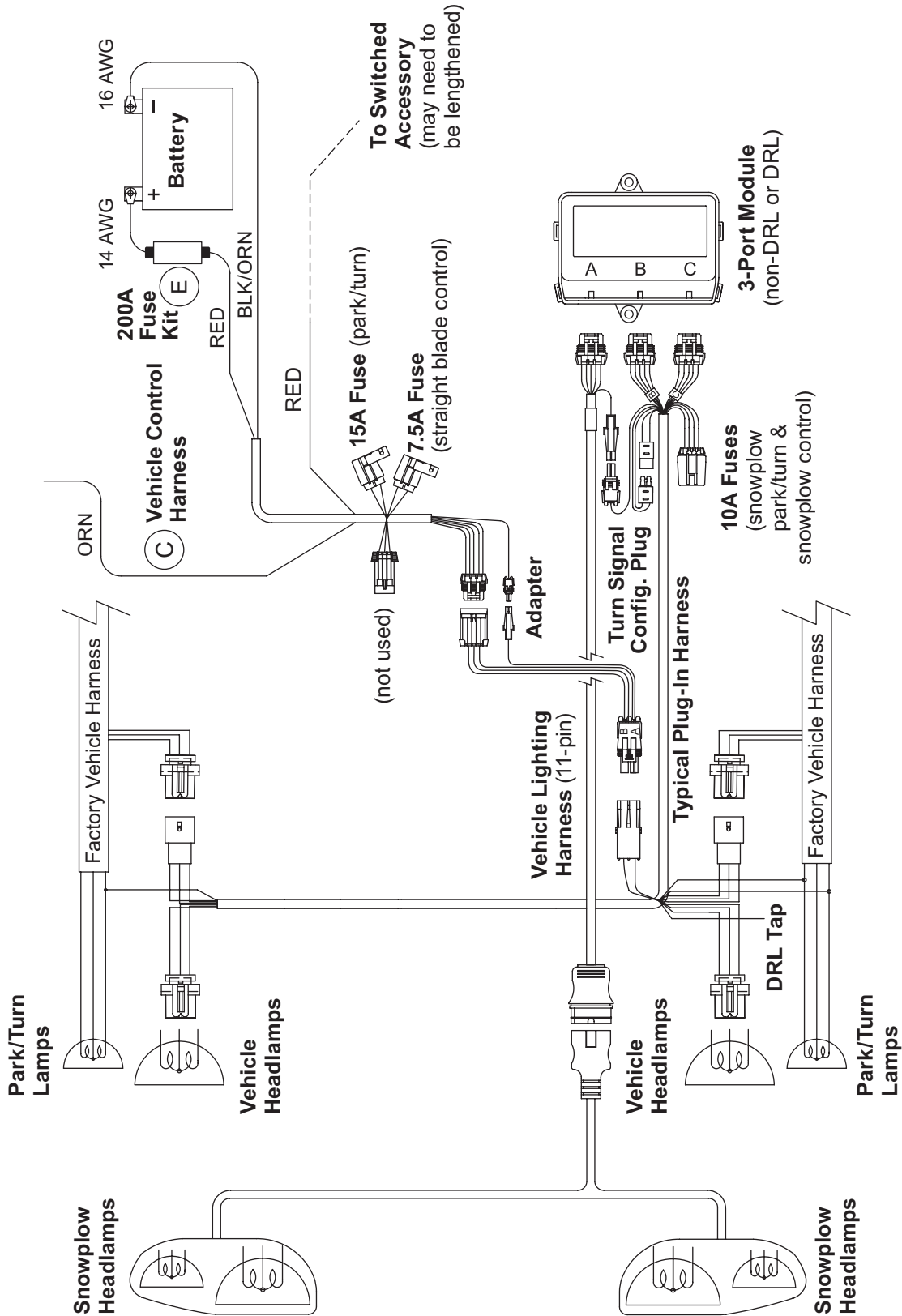
§ For diagram, see Vehicle-Side Harness Diagram – Central Hydraulics (p. 19).

† Not used for central hydraulics.

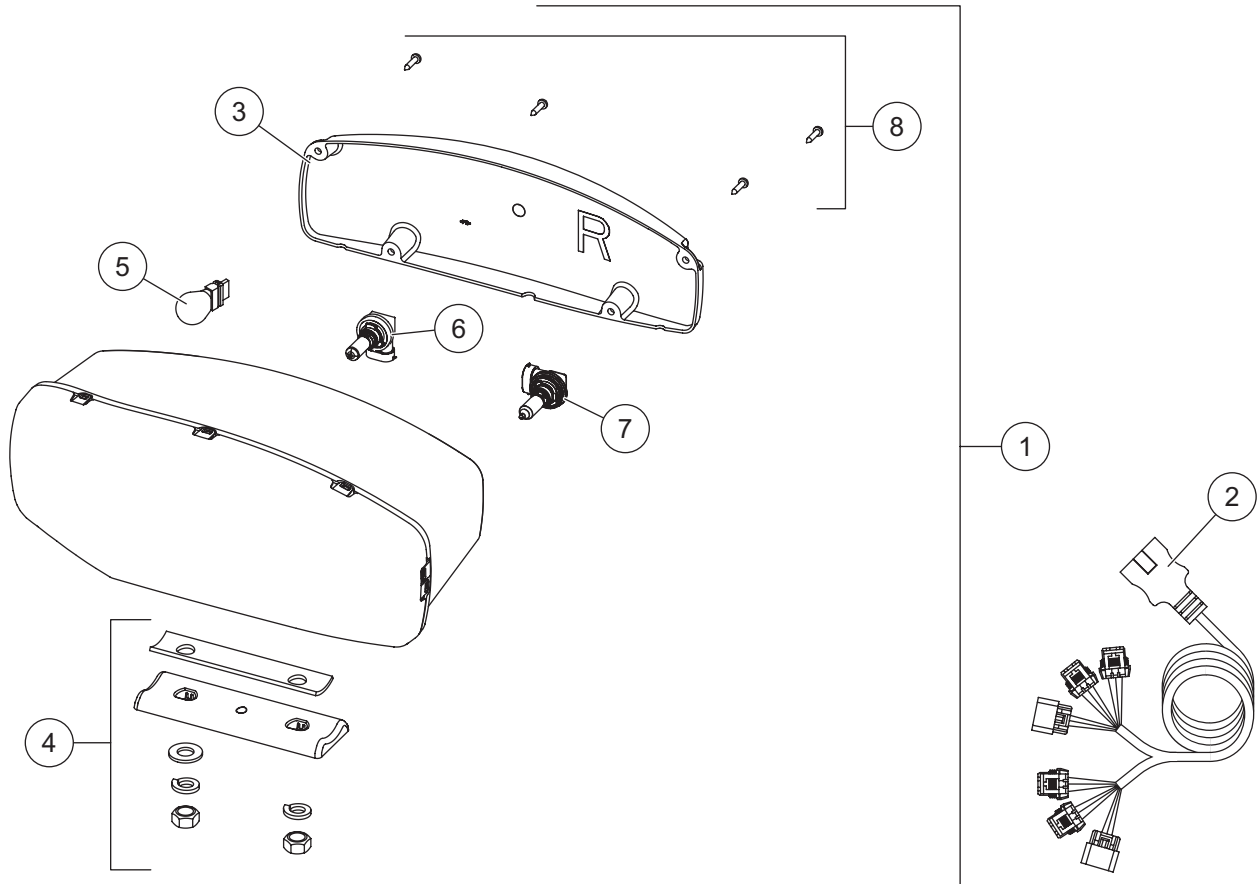
**Vehicle-Side Harness Diagram—  
 3-Port, 2-Plug System**



Vehicle-Side Harness Diagram—Central Hydraulics



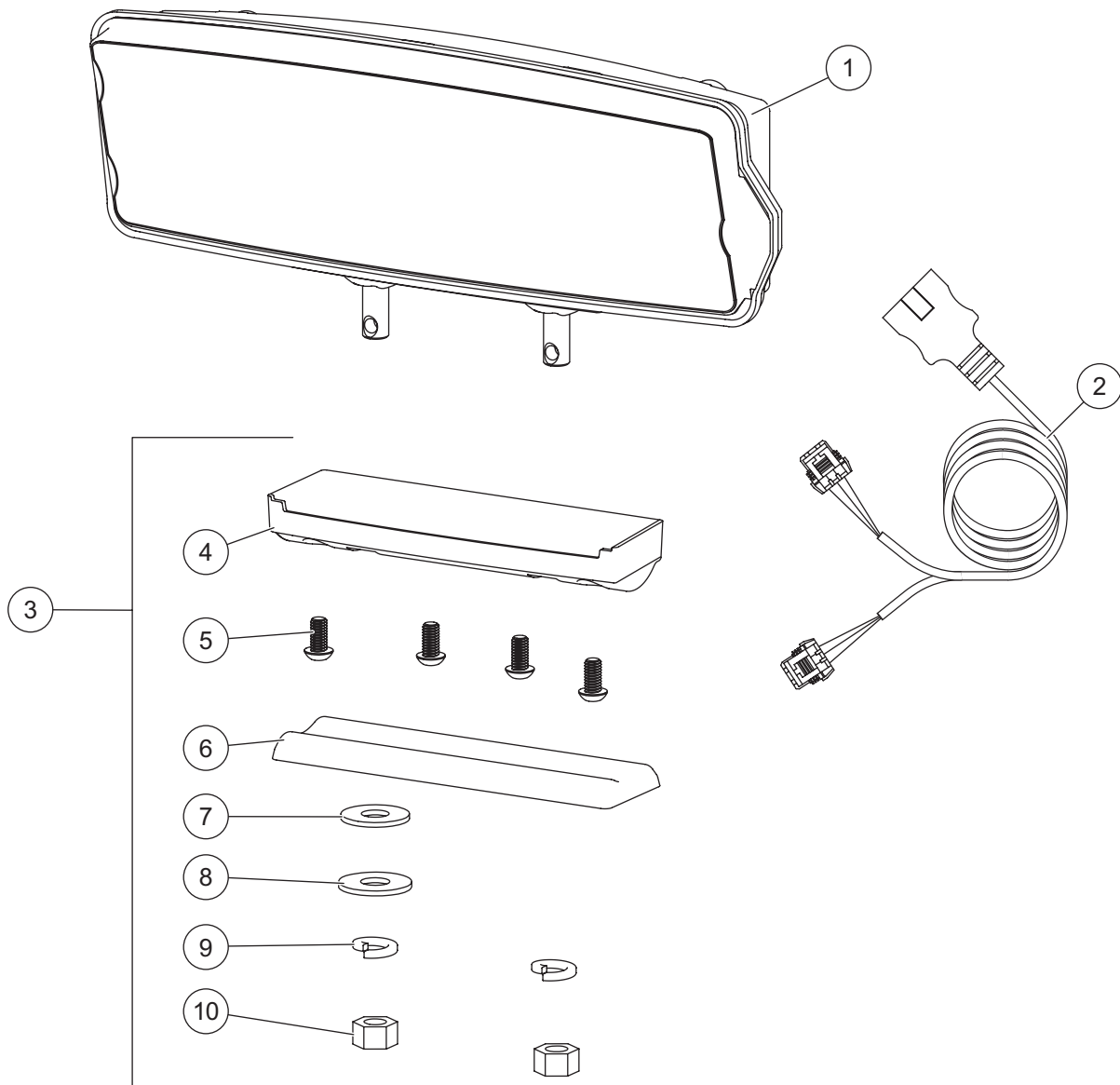
Headlamp Kit – Halogen



38800 Headlamp Kit H9/H11 (pair)							
Item	Part	Qty	Description	Item	Part	Qty	Description
1	38802	1	Headlamp Service Kit H9/H11 – PS	2	38807	1	Harness Service Kit H9/H11
ns	38801	1	Headlamp Service Kit H9/H11 – DS				
<b>Item 1</b>	<b>38801/38802 Headlamp Service Kit H9/H11 – PS/DS</b>						
3	38803	1	Rear Cover Kit H9/H11 – PS	6	38811	1	Headlamp Bulb Service Kit H11
ns	38812	1	Rear Cover Kit H9/H11 – DS	7	38809	1	Headlamp Bulb Service Kit H9
4	38804	1	Mounting Hardware Kit H9/H11	8	38808	1	Cover Screws Service Kit H9/H11 (pkg of 4)
5		1	Park/Turn Bulb (trade no. 4157NAK)				

ns = not shown

Headlamp Kit – LED



Headlamp Kit LED						
Item	Part	Qty	Description	Item	Part	Qty Description
1	39901	1	Headlamp Service Kit LED – DS	3	39903	1 Mounting Hardware Kit LED
ns	39902	1	Headlamp Service Kit LED – PS	ns	72512	1 LED Harness Connector Cover (pkg of 2)
2	72548	1	Harness Service Kit LED			
<b>Item 3</b>			<b>39903 Mounting Hardware Kit LED</b>			
4		1	Plastic Casing	8		1 1/2 Flat Washer
5		4	1/4 Button Cap Screw	9		2 1/2 Lock Washer
6		1	Headlamp Swivel	10		2 1/2 Hex Nut
7		1	1/2 Rubber Washer	ns		1 Metal Insert
ns = not shown						



Fisher Engineering  
50 Gordon Drive  
Rockland, ME 04841-2139  
[www.fisherplows.com](http://www.fisherplows.com)

**A DIVISION OF FISHER, LLC**

Copyright © 2023 Douglas Dynamics, LLC. All rights reserved. This material may not be reproduced or copied, in whole or in part, in any printed, mechanical, electronic, film, or other distribution and storage media, without the written consent of Fisher Engineering. Authorization to photocopy items for internal or personal use by Fisher Engineering outlets or snowplow owner is granted.

Fisher Engineering reserves the right under its product improvement policy to change construction or design details and furnish equipment when so altered without reference to illustrations or specifications used. Fisher Engineering or the vehicle manufacturer may require or recommend optional equipment for snow removal. Do not exceed vehicle ratings with a snowplow. Fisher Engineering offers a limited warranty for all snowplows and accessories. See separately printed page for this important information. The following are registered (®) or unregistered (™) trademarks of Douglas Dynamics, LLC: FISHER®, HD2™, HDX™, Minute Mount® 2, SECURITY GUARD™, SnoFoil®, STORM GUARD™.

**Printed in U.S.A.**