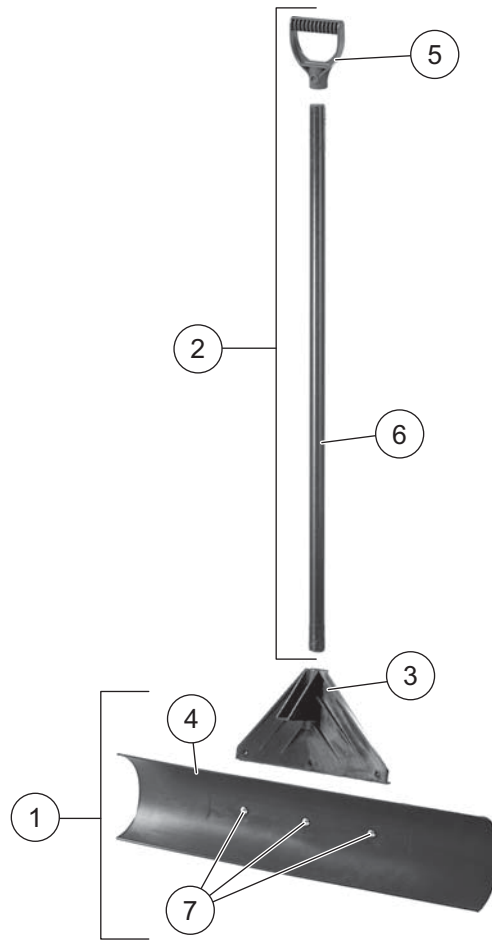




Pusher Shovel

PARTS LIST



85455 / 85460 30"/36" Pusher Shovel							
Item	Part	Qty	Description	Item	Part	Qty	Description
1	87711	1	30" Shovel Blade Kit, Black	2	87733	1	Pole & Handle Kit, FISHER®
	87710	1	36" Shovel Blade Kit, Black	3	87719	1	Pusher Bracket
Item 1	87711 / 87710 30"/36" Shovel Blade Kit, Black						
4		1	30" Pusher Blade, Black	ns	87720	1	Hardware Kit
		1	36" Pusher Blade, Black				
Item 2	87733 Pole & Handle Kit, FISHER						
5		1	D-Handle, Black	ns		1	Label – Logo, FISHER
6		1	Pusher Pole, Yellow				
87720 Hardware Kit							
7		4	1/4-20 x 3/4 Hex Cap Screw	ns		2	#8-18 x 3/4 Pan Head Self-Drilling Screw
ns		4	1/4-20 Hex Locknut				
ns = not shown							

⚠ CAUTION

Read this document before assembling the pusher shovel.

ASSEMBLY INSTRUCTIONS

1. Attach the shovel blade to the pusher bracket with three 1/4" x 3/4" cap screws. Insert the fasteners through the blade and bracket, and secure with 1/4" locknuts on the back side. Finger tighten.
2. Insert the remaining 1/4" x 3/4" cap screw up through the top hole in the blade and bracket. Secure with a 1/4" locknut. Finger tighten.
3. Fully tighten all fasteners, starting with the cap screw on the top of the shovel. Be careful to not overtighten cap screws.
4. Insert the plug into the bottom of the fiberglass tube. Insert the fiberglass tube into the pusher bracket, align the D-handle so that it runs parallel to the blade, and secure with two #8 x 3/4" self-drilling screws.
5. The D-handle is factory installed on the fiberglass tube. For the service part, insert the fiberglass tube into the bottom of the D-handle, align the D-handle with the blade, and secure it with two #8 x 3/4" self-drilling screws.

Copyright © 2021 Douglas Dynamics, LLC. All rights reserved. This material may not be reproduced or copied, in whole or in part, in any printed, mechanical, electronic, film, or other distribution and storage media, without the written consent of Fisher Engineering. Authorization to photocopy items for internal or personal use by Fisher Engineering outlets or product owner is granted.

Fisher Engineering reserves the right under its product improvement policy to change construction or design details and furnish equipment when so altered without reference to illustrations or specifications used. Fisher Engineering offers a limited warranty for all accessories. See separately printed page for this important information. The following is a registered (®) trademark of Douglas Dynamics, LLC: FISHER®.

Printed in U.S.A.