



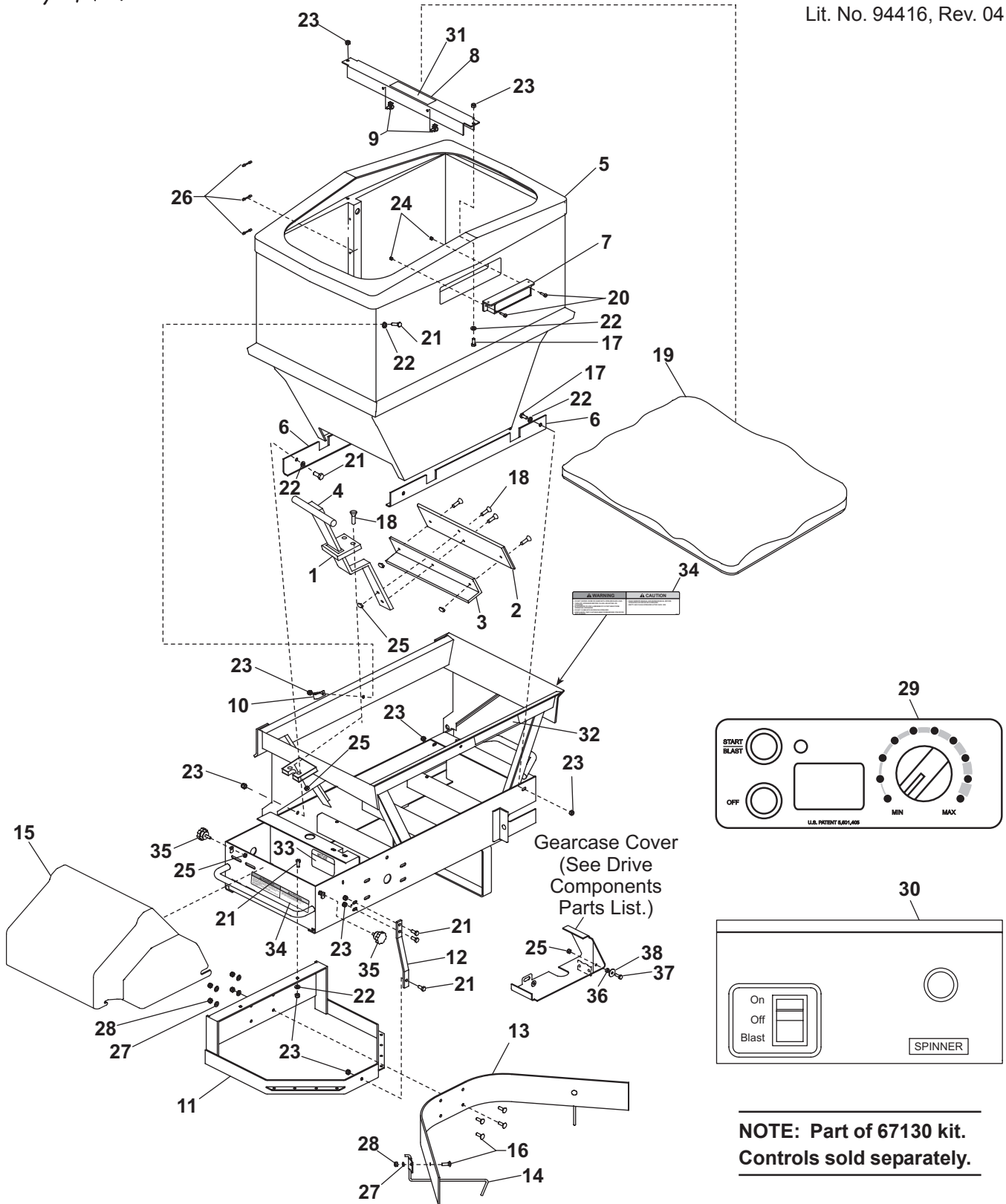
FISHER ENGINEERING

P.O. Box 529, Rockland, ME 04841

SPEED-CASTER™ 2 Tailgate Spreader Hopper Components Parts List

June 1, 2005

Lit. No. 94416, Rev. 04



This parts list is for FISHER® SPEED-CASTER™ 2 Spreaders with serial numbers 202650 and higher.

SPEED-CASTER™ 2 Tailgate Spreader Hopper Components Parts List

SPEED-CASTER™ 2 Tailgate Spreader Hopper Components Parts List							
Item	Part	Qty	Description	Item	Part	Qty	Description
1	68830	1	Feed Gate Guide	21	90551	9	5/16-18 x 1 Hex Cap Screw
2	68827	1	Feed Gate	22	90980	10	5/16 Flat Washer
3	68834	1	Feed Gate Stiffener	23	91350	13	5/16-18 Hex Locknut
4	68835	1	Feed Gate Handle	24	91398	2	#6-32 Hex Locknut
5	65614	1	Hopper	25	67076	9	1/4-20 Hex Locknut
6	68628	2	Hopper Skirt	26	67160	3	7/8 Standoff
7	65361	1	Center High Mounted Stoplight	27	91263	6	5/16 External Lock Washer
8	65778	1	Wire Channel With Label	28	91430	6	5/16-18 Hex Nut
9	65513	2	3/8 Wire Clip - .250 Hole	29	28867	1	Variable Speed (PWM) Control*
10	9593	1	Cable Clamp	30	9390	1	ON/OFF Control*
11	65725	1	Spinner Guard	31	67272	1	Label – Information (Caution)
12	65775	1	Spinner Guard Support	32	65855	1	Label – Identity
13	65475	1	Deflector	33	67127	1	Label – Information (Notice)
14	67106	2	Adjustment Rod Assembly	34	68584	2	Label – Information (Warning)
15	68806	1	Drive Cover	35	67158	2	1/4-20 x 1 Thumb Screw STS
16	90556	6	5/16-18 x 1 Carriage Bolt	36	67159	1	3/16 Spacer
17	93162	4	5/16-18 x 3/4 Hex Cap Screw	37	68067	1	1/4-20 x 1 Hex Cap Screw
18	67074	6	1/4-20 x 1 Machine Screw	38	67155	1	Round Flat Washer Special
19	65779	1	Top Cover 23 x 36				
20	68792	2	#6-32 x 3/4 Machine Screw (Package of 5)				

* Sold separately.

Copyright© 2005 Douglas Dynamics, L.L.C. All rights reserved. This material may not be reproduced or copied, in whole or in part, in any printed, mechanical, electronic, film or other distribution and storage media, without the written consent of Fisher Engineering. Authorization to photocopy items for internal or personal use by Fisher Engineering outlets or spreader owner is granted.

Fisher Engineering reserves the right under its product improvement policy to change construction or design details and furnish equipment when so altered without reference to illustrations or specifications used. Fisher Engineering and the vehicle manufacturer may require and/or recommend optional equipment for spreaders. Do not exceed vehicle ratings with a spreader. Fisher Engineering offers a limited warranty for all spreaders and accessories. See separately printed page for this important information. The following are registered (®) or unregistered (™) trademarks of Douglas Dynamics, L.L.C.: FISHER®, SPEED-CASTER™ 2.