

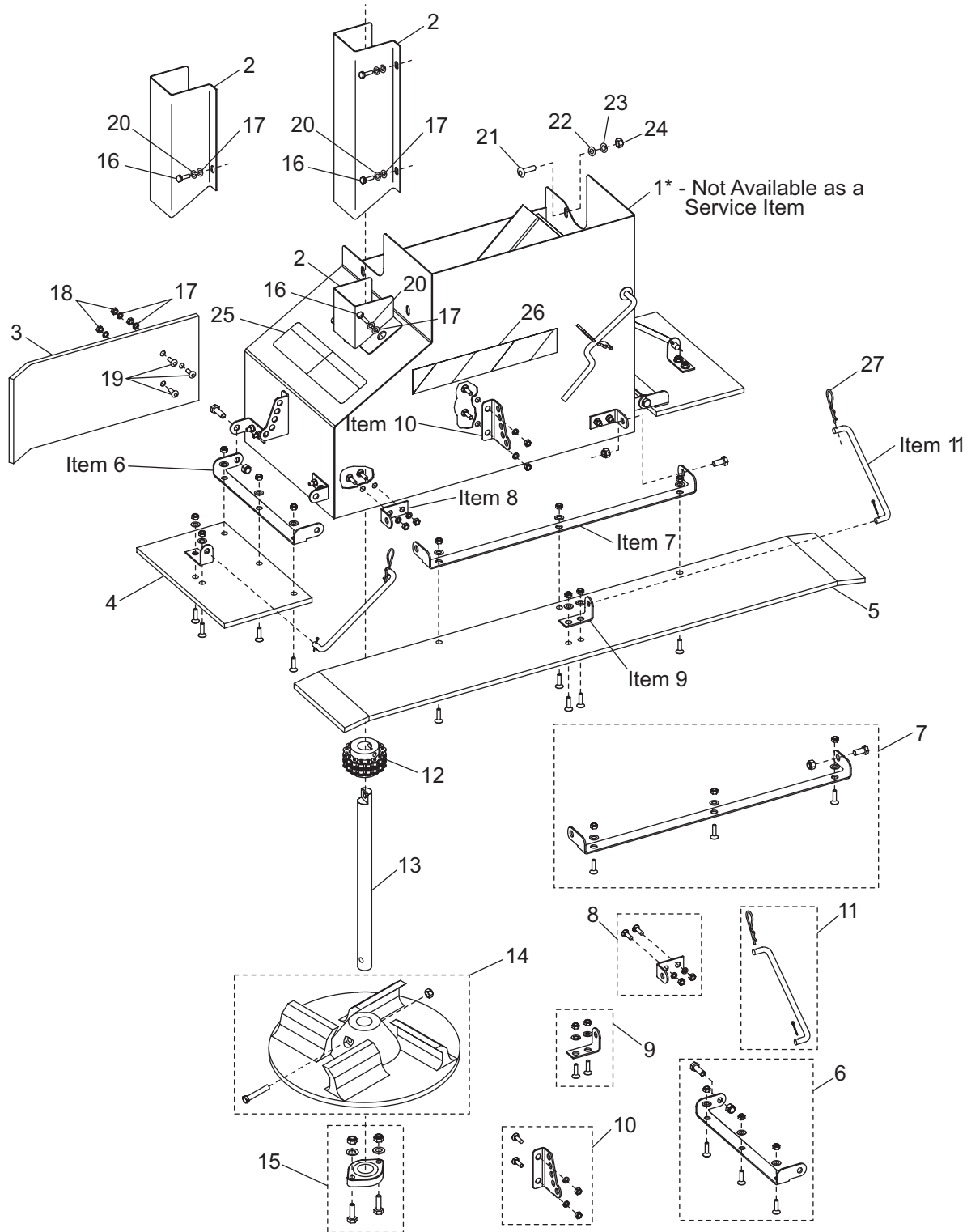


# PRO-CASTER™ Chute Assembly Parts List

FISHER ENGINEERING 94357, 94357-1, 94474, 94474-1, 94924, 94924-1, 94940, 94940-1

P.O. Box 529, Rockland, ME 04841

May 1, 2003  
Lit. No. 94869



This parts list is for FISHER® PRO-CASTER™ Hopper Spreaders with serial numbers 0126 and higher.

## PRO-CASTER™ Chute Assembly Parts List

PRO-CASTER™ Chute Assembly Parts Numbers			
Part	Description	Part	Description
94357	14" Mild Steel, Direct Drive	94474	26" Mild Steel, Direct Drive
94357-1	19" Mild Steel, Direct Drive	94474-1	26" Mild Steel, Direct Drive
94924	14" Stainless Steel, Direct Drive	94940	26" Stainless Steel, Direct Drive
94924-1	19" Stainless Steel, Direct Drive	94940-1	26" Stainless Steel, Direct Drive

PRO-CASTER™ Chute Assembly Parts List							
Item	Part	Qty	Description	Item	Part	Qty	Description
1*		1	Chute Housing	11	94889	3	Baffle Adjustment Rod Kit
2	68808	1	Coupling Guard, 14" Chute Mild Steel	12	95400	1	Coupling Kit
2	95292	1	Coupling Guard, 19" Chute Mild Steel	13	94407	1	Shaft, Spinner 14" Chute
2	94911	1	Coupling Guard, 14" Chute Stainless Steel	13	95294	1	Shaft, Spinner 19" Chute
2	95293	1	Coupling Guard, 19" Chute Stainless Steel	13	94477	1	Shaft, Spinner 26" Chute
2	94476	1	Coupling Guard, 26" Chute Mild Steel	14	94884	1	Spinner Kit, 12" Poly
2	94912	1	Coupling Guard, 26" Chute Stainless Steel	15	94897	1	Spinner Bearing Kit
3	94667	1	Deflector, Bolt On	16	90381	2	1/4"-20 x 3/4" Hex Cap Screw, Stainless Steel
4	94404	2	Baffle, Side External Poly	17	91013	5	1/4" Plain Washer, Stainless Steel
5	94401	1	Baffle, Rear External Poly	18	67076	3	1/4"-20 Hex Locknut, Stainless Steel
6	94885	2	Side Hinge Kit (Old Style)	19	94580	3	1/4"-20 x 3/4" Carriage Bolt, Stainless Steel
6**	95234	4	Hinge Kit, Rear and Side Baffles (Universal style)	20	91281	2	1/4" Lock Washer, Stainless Steel
7	94886	1	Rear Hinge Kit (Old Style)	21	90375	4	3/8"-16 X 1" Carriage Bolt, Stainless Steel
7**	95234	2	Hinge Kit, Rear and Side Baffles (Universal style)	22	91123	4	3/8" Plain Washer, Stainless Steel
8	94888	6	Hinge Tab Kit	23	91282	4	3/8" Lock Washer, Stainless Steel
9	94896	3	Baffle Tab Kit	24	91431	4	3/8"-16 Hex Nut, Stainless Steel
10	94887	3	Adjustment Bracket Kit	25	68595	1	Label – Information (Caution)
				26	68737	1	Reflective Strip (Red/White)
				27	91959	3	3/32" x 2-1/4" Hairpin Cotter

\*= Not Available as a Service Item

\*\* = Newer units

Copyright© 2003 Douglas Dynamics, L.L.C. All rights reserved. This material may not be reproduced or copied, in whole or in part, in any printed, mechanical, electronic, film or other distribution and storage media, without the written consent of Fisher Engineering. Authorization to photocopy items for internal or personal use by Fisher Engineering outlets or spreader owner is granted.

Fisher Engineering reserves the right under its product improvement policy to change construction or design details and furnish equipment when so altered without reference to illustrations or specifications used. Fisher Engineering and the vehicle manufacturer may require and/or recommend optional equipment for spreaders. Do not exceed vehicle ratings with a spreader. Fisher Engineering offers a limited warranty for all spreaders and accessories. See separately printed page for this important information. The following are registered (®) and unregistered (™) trademarks of Douglas Dynamics, L.L.C.: FISHER®, PRO-CASTER™.

Printed in U.S.A.