



Fisher Engineering

50 Gordon Drive, Rockland, Maine 04841-2139 • www.fisherplows.com

February 1, 2019
Lit. No. 94873, Rev. 09

BODY COMPONENTS

PRO-CASTER™ Hopper Spreader

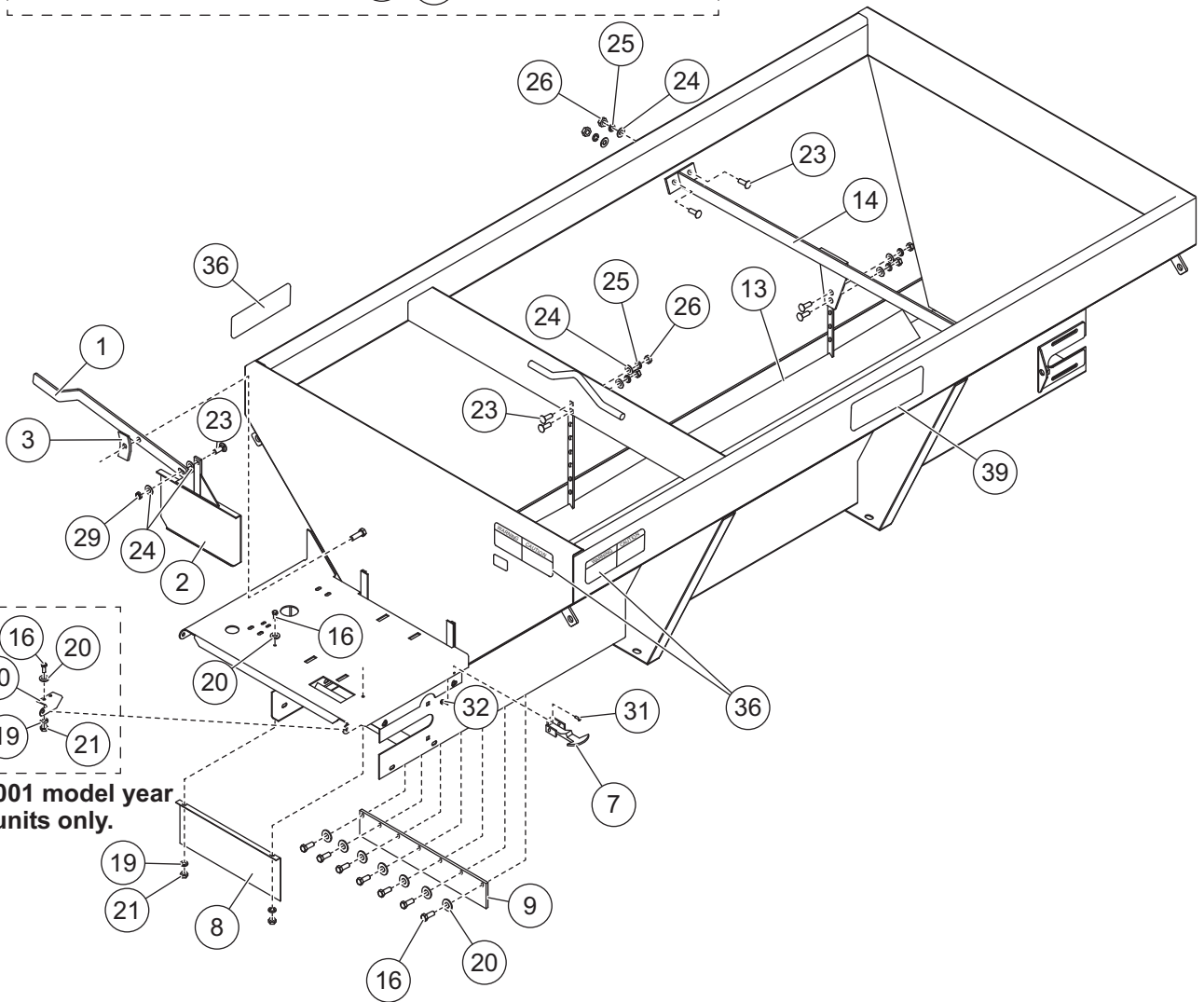
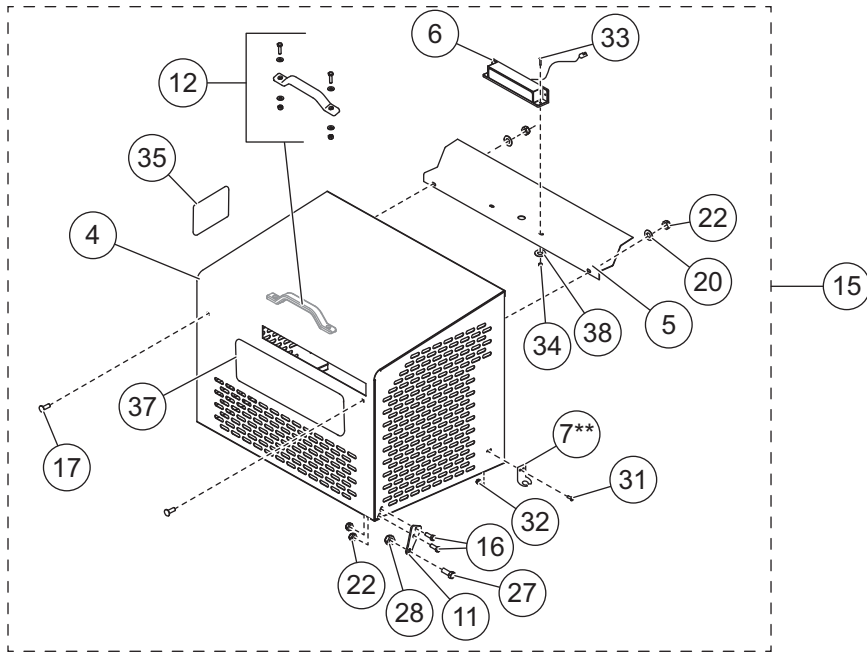
Parts List



This Parts List is for FISHER® PRO-CASTER Hopper Spreaders with serial numbers beginning with 0126-0805.

A DIVISION OF FISHER, LLC

BODY COMPONENTS



**For 2001 model year
units only.**

BODY COMPONENTS

Body Components							
Item	Part	Qty	Description	Item	Part	Qty	Description
1	68977	1	Feed Gate Lever MS	9	20328	1	Wiper Belt
	94913	1	Feed Gate Lever SS	10	94557	1	Bracket, Hinge
2	68410	1	Feed Gate MS	11	94556	2	Tab, Hinge
	68985	1	Feed Gate SS	12	99098	1	Plastic Handle Kit
3	65218	1	Wing Nut MS	13*	94949**	1	Inverted V 7' Kit MS
	65392	1	Wing Nut SS		94950**	1	Inverted V 7' Kit SS
4	na	1	Engine Cover MS		94948**	1	Inverted V 8' RC/HC & 9' HC Kit SS
	na	1	Engine Cover SS		94947**	1	Inverted V 8' RC/HC & 9' Kit MS
5	94582	1	Engine Cover Baffle		65668**	1	Inverted V 10' Kit MS
6	65361	1	Center High Mount Stop Light		95670**	1	Inverted V 10' Kit SS
7**	P3045	2	Latch Kit	14	65327	AR	Inverted V Support
8	94692†	1	Conveyor Guard MS	15	94699	1	Engine Cover Kit, MS
	94899†	1	Conveyor Guard SS		94952	1	Engine Cover Kit, SS
Body Components – Hardware							
16	90381	16	1/4-20 x 3/4 Hex Cap Screw SS	29	67368	1	3/8-16 Jam Locknut SS
17	94580	2	1/4-20 x 3/4 Carriage Bolt SS	30	68345	4	3/8-16 x 1-1/2 Carriage Bolt SS
18	63938	2	1/4-20 x 3/4 Machine Screw SS	31	67092	8	#10-24 x 1/2 Socket Button Head Cap Screw SS
19	91281	11	1/4 Lock Washer SS	32	91330	8	#10-24 Hex Locknut SS
20	91013	13	1/4 Flat Washer SS	33	90693	2	#6-32 x 3/4 Pan Head Machine Screw SS
21	91429	11	1/4-20 Hex Nut SS	34	91398	2	#6-32 Hex Locknut SS
22	67076	8	1/4 Hex Locknut SS	35	65097	1	Label – Warning, Information
23	91017	13	3/8-16 x 1 Carriage Bolt SS	36	68595	3	Label – Warning/Caution
24	91123	14	3/8 Flat Washer SS	37	20724	1	Label – Identity, FISHER®
25	91282	12	3/8 Lock Washer SS	38	95227	2	#10 Flat Washer Type A SS
26	91431	12	3/8-16 Hex Nut SS	39	27181	2	Label – Identity, PRO-CASTER™
27	91015	2	3/8-16 x 1 Hex Cap Screw SS				
28	91351	2	3/8-16 Hex Locknut SS				
Item 15	94699 (MS) / 94952 (SS) Engine Cover Kit						
4	na	1	Engine Cover MS	22	67076	8	1/4 Hex Locknut SS
	na	1	Engine Cover SS	27	91015	2	3/8-16 x 1 Hex Cap Screw SS
5	94582	1	Engine Cover Baffle	28	91351	2	3/8-16 Hex Locknut SS
6	65361	1	Center High Mount Stop Light	33	90693	2	#6-32 x 3/4 Pan Head Machine Screw SS
7**	P3045	2	Latch Kit	34	91398	2	#6-32 Hex Locknut SS
11	94556	2	Tab, Hinge	35	65097	1	Label – Warning, Information
12	99098	1	Plastic Handle Kit	37	20724	1	Label – Identity, FISHER
16	90381	4	1/4-20 x 3/4 Hex Cap Screw SS	38	95227	2	#10 Flat Washer Type A SS
17	94580	2	1/4-20 x 3/4 Carriage Bolt SS				
20	91013	2	1/4 Flat Washer SS				
AR = As Required		MS = Mild Steel		na = not available		SS = Stainless Steel	

* Inverted Vs for 7' and 8' RC hoppers are sold as accessories. Inverted Vs are standard equipment for 8', 9', and 10' HC hoppers.

** Includes all hardware.

† For use with offset chute only.



Fisher Engineering
50 Gordon Drive
Rockland, ME 04841-2139
www.fisherplows.com

A DIVISION OF FISHER, LLC

Copyright © 2019 Douglas Dynamics, LLC. All rights reserved. This material may not be reproduced or copied, in whole or in part, in any printed, mechanical, electronic, film, or other distribution and storage media, without the written consent of Fisher Engineering. Authorization to photocopy items for internal or personal use by Fisher Engineering outlets or spreader owner is granted.

Fisher Engineering reserves the right under its product improvement policy to change construction or design details and furnish equipment when so altered without reference to illustrations or specifications used. Fisher Engineering or the vehicle manufacturer may require or recommend optional equipment for spreaders. Do not exceed vehicle ratings with a spreader. Fisher Engineering offers a limited warranty for all spreaders and accessories. See separately printed page for this important information. The following are registered (®) or unregistered (™) trademarks of Douglas Dynamics, LLC: FISHER®, PRO-CASTER™.

Printed in U.S.A.