



**Fisher Engineering**

**95331**

50 Gordon Drive, Rockland, Maine 04841-2139 • [www.fisherplows.com](http://www.fisherplows.com)

March 1, 2022  
Lit. No. 95365, Rev. 17

# **Hopper and Drive Components**

## **Model 500**

### **Low-Profile Tailgate Spreader**

#### **Parts List**

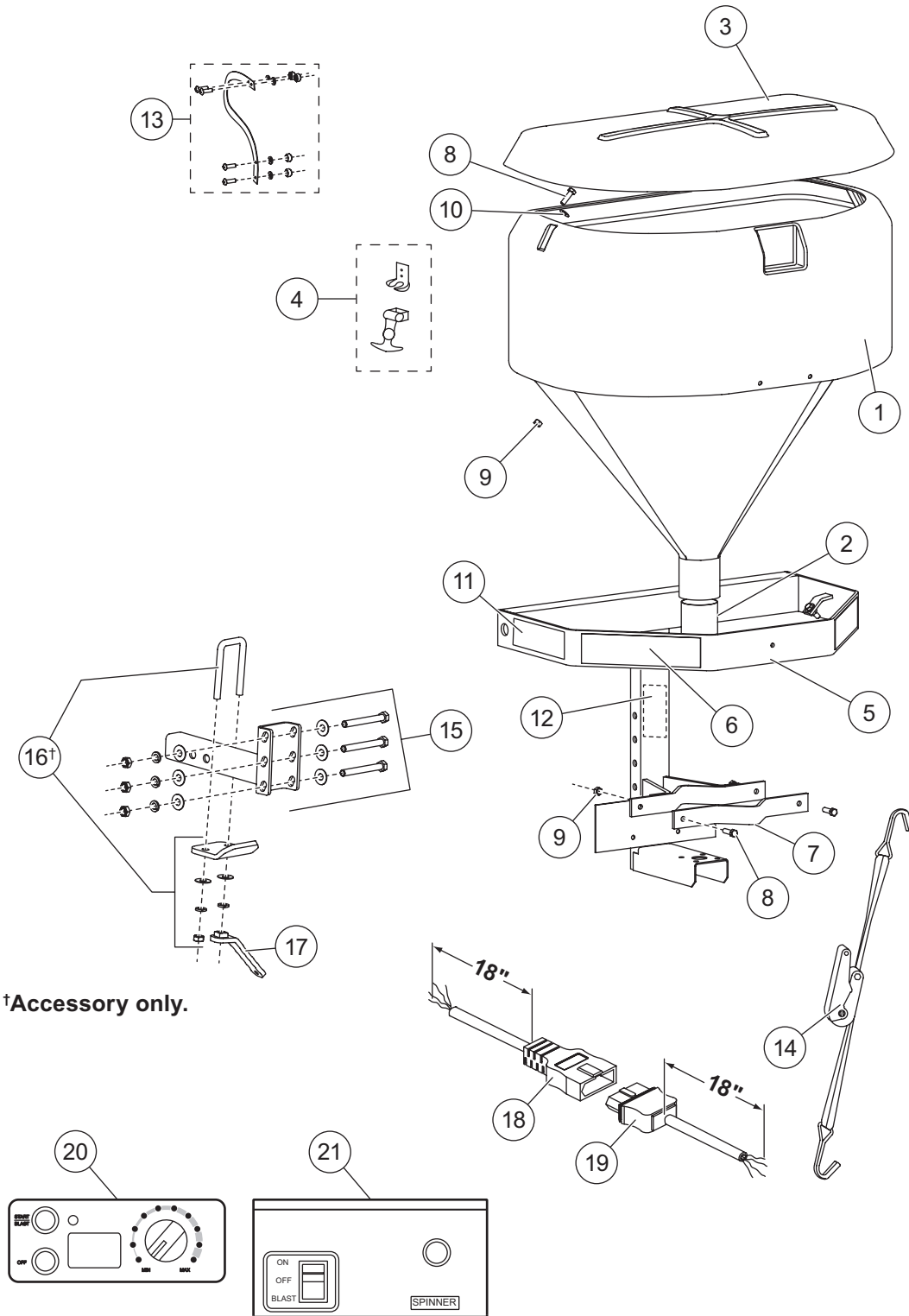
This Parts List is for FISHER® Model 500 Low-Profile Tailgate Spreaders  
with serial numbers beginning with 030101 and higher.

---

**A DIVISION OF FISHER, LLC**

# MODEL 500 LOW-PROFILE TAILGATE SPREADER

## HOPPER COMPONENTS



# MODEL 500 LOW-PROFILE TAILGATE SPREADER

Hopper Components							
Item	Part	Qty	Description	Item	Part	Qty	Description
1	95328	1	Hopper Assembly, Yellow w/Throat Liner	8		4	3/8-16 x 1-1/4 Hex Cap Screw SS
2	P2003	1	Throat Liner	9		4	3/8-16 Hex Locknut
3	95329	1	Hopper Lid (no hardware)	10		2	3/8 Flat Washer
ns	95456	1	Lid w/Latch Kit (incl. 95329 & P3045)	11	94426	2	Label – Warning, Receiver Hitch
4	P3045	1	Lid Latch Kit (incl. straps, hooks, and all hardware)	ns	76068	1	Label – Information, "UP" Tailgate Spreader Hitch
5	95310	1	Main Frame	12	11100	1	Label – Warning, Rear Camera
6	68584	2	Label – Warning, Information	13	94534	2	Nylon Strap Kit
7	95313	1	Tub Brace	ns	95336	1	Parts Kit, Model 500 Spreader
<b>95336 Parts Kit, Model 500 Spreader</b>							
14	68789	2	Ratchet Strap Assembly	16†	48852-1	1	Receiver Clamp Kit
15	95318-1	1	Hitch Insert w/Hardware				
<b>Item 15 95318-1 Hitch Insert w/Hardware</b>							
		1	Hitch Insert			3	1/2 Lock Washer Spring SS
		3	1/2-13 x 4-1/2 Hex Cap Screw G5			3	1/2-13 Hex Nut SS
		6	1/2 Flat Washer Wide SS				
<b>Item 16† 48852-1 Receiver Clamp Kit</b>							
		1	Clamp Plate			2	1/2 Lock Washer Spring SS
		1	1/2-13 U-Bolt SS			1	1/2-13 Hex Nut SS
		2	1/2 Flat Washer Wide SS	17	96263	1	1/2-13 Handled Nut
		ns = not shown				SS = Stainless Steel	
						G = Grade	

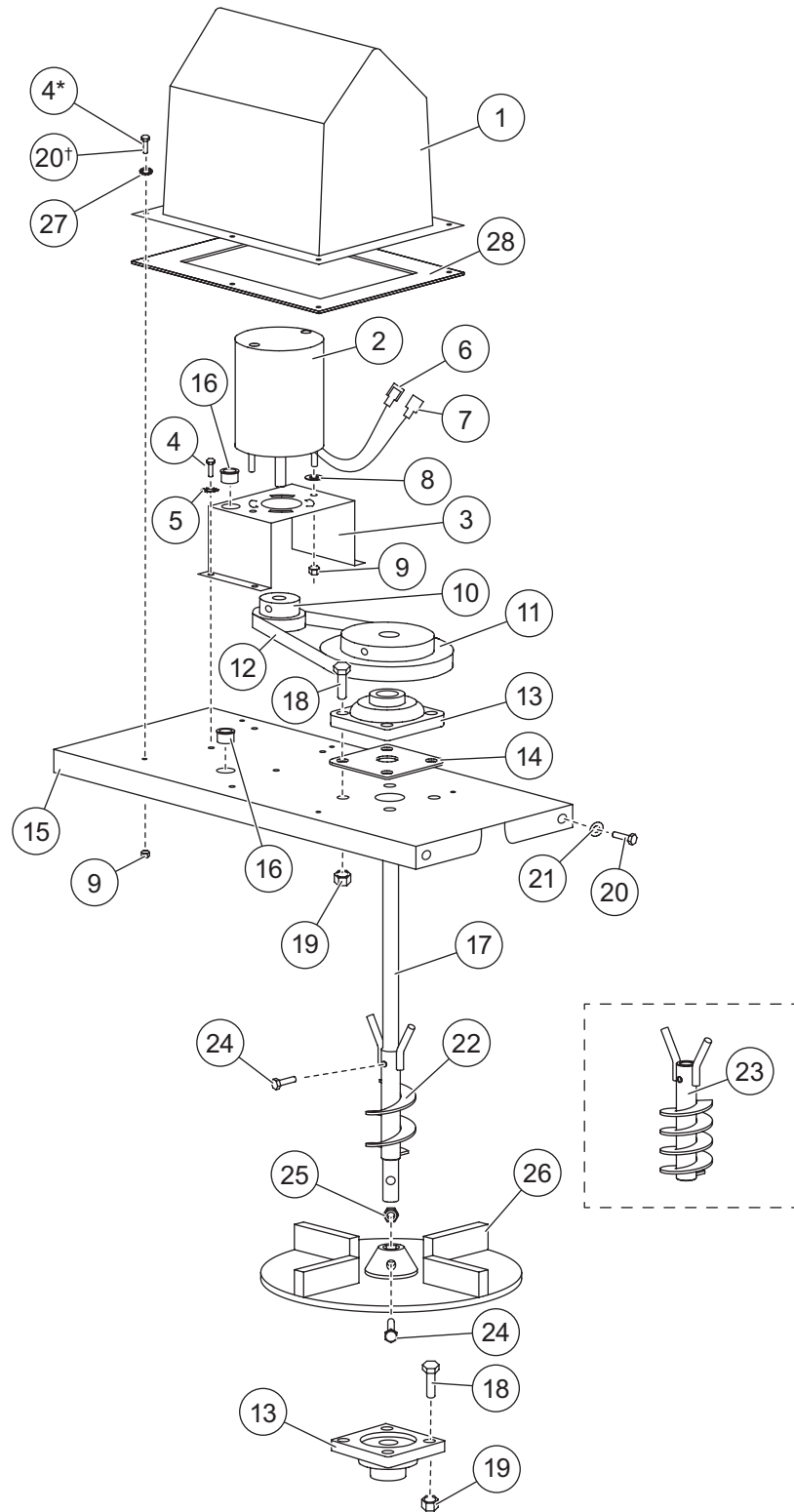
† Accessory only.

Hopper Electrical Components							
Item	Part	Qty	Description	Item	Part	Qty	Description
ns	63634	1	Harness, Spreader – 4-Pin	ns	63633	1	Harness, Vehicle – 4-Pin
18	63693	1	Harness, Spreader End Kit (use w/3- or 4-pin connectors)	19	63692	1	Harness, Vehicle End Kit (use w/3- or 4-pin connectors)
ns = not shown							

Hopper Controls – Sold Separately							
Item	Part	Qty	Description	Item	Part	Qty	Description
20	28867	1	Variable Speed (PWM) Control	21	9390	1	ON/OFF Control

# MODEL 500 LOW-PROFILE TAILGATE SPREADER

## DRIVE COMPONENTS



\* Spreaders with serial numbers beginning with 031004 and lower.

† Spreaders with serial numbers beginning with 031005 and higher.

## MODEL 500 LOW-PROFILE TAILGATE SPREADER

Drive Components						
Item	Part	Qty	Description	Item	Part	Description
1	P2121Y	1	Motor Cap Assembly	16	M1362	2 Grommet
2	93105	1	Motor 12V DC, 1/3 hp	17	P3046	1 Drive Shaft
3	P2010	1	Motor Pedestal	18		8 3/8-16 x 1-1/4 Hex Cap Screw SS
4		10	#10-32 x 5/8 Machine Screw SS	19		8 3/8-16 Hex Locknut GB
5		4	#10 External Lock Washer SS	20		10 1/4-20 x 3/4 Hex Cap Screw SS
6	M1458	1	1/4 Insulated Blade Terminal	21		4 1/4 Flat Washer Narrow SS
7	M1459	1	1/4 Fully Insulated Receptacle	22	29995	1 Auger, 3-Flight (standard – for coarse material)
8	M2052	2	M5 Flat Washer	23	P2028	1 Auger, 5-Flight (optional – for fine material)
9		8	#10-32 Hex Locknut GB SS	24		2 1/4-20 x 2 Hex Cap Screw SS
10	93102	1	Pulley, Drivegear – 12T	25		2 1/4-20 Hex Locknut GB SS
11	76791	1	Gear Belt Pulley 40T	26	94510	1 Spinner Kit (polyurethane)
12	M1355	1	Gear Belt	27		6 1/4 External Lock Washer SS
13	68662	2	5/8 Bearing, 4-Bolt Flange	28	95333	1 Gasket, Low Pro Motor Cap
14	P2095	1	Neoprene Gasket			
15	68807	1	Motor Base Plate, Service Part			
			G = Grade			M = Metric
						SS = Stainless Steel

# MODEL 500 LOW-PROFILE TAILGATE SPREADER

---



Fisher Engineering  
50 Gordon Drive  
Rockland, ME 04841-2139  
[www.fisherplows.com](http://www.fisherplows.com)

**A DIVISION OF FISHER, LLC**

Copyright © 2022 Douglas Dynamics, LLC. All rights reserved. This material may not be reproduced or copied, in whole or in part, in any printed, mechanical, electronic, film, or other distribution and storage media, without the written consent of Fisher Engineering. Authorization to photocopy items for internal or personal use by Fisher Engineering outlets or spreader owner is granted.

Fisher Engineering reserves the right under its product improvement policy to change construction or design details and furnish equipment when so altered without reference to illustrations or specifications used. Fisher Engineering or the vehicle manufacturer may require or recommend optional equipment for spreaders. Do not exceed vehicle ratings with a spreader. Fisher Engineering offers a limited warranty for all spreaders and accessories. See separately printed page for this important information. The following is a registered (®) trademark of Douglas Dynamics, LLC: FISHER®.

**Printed in U.S.A.**