



Fisher Engineering

50 Gordon Drive, Rockland, Maine 04841-2139 • www.fisherplows.com

November 1, 2017
Lit. No. 96202, Rev. 01

BODY COMPONENTS

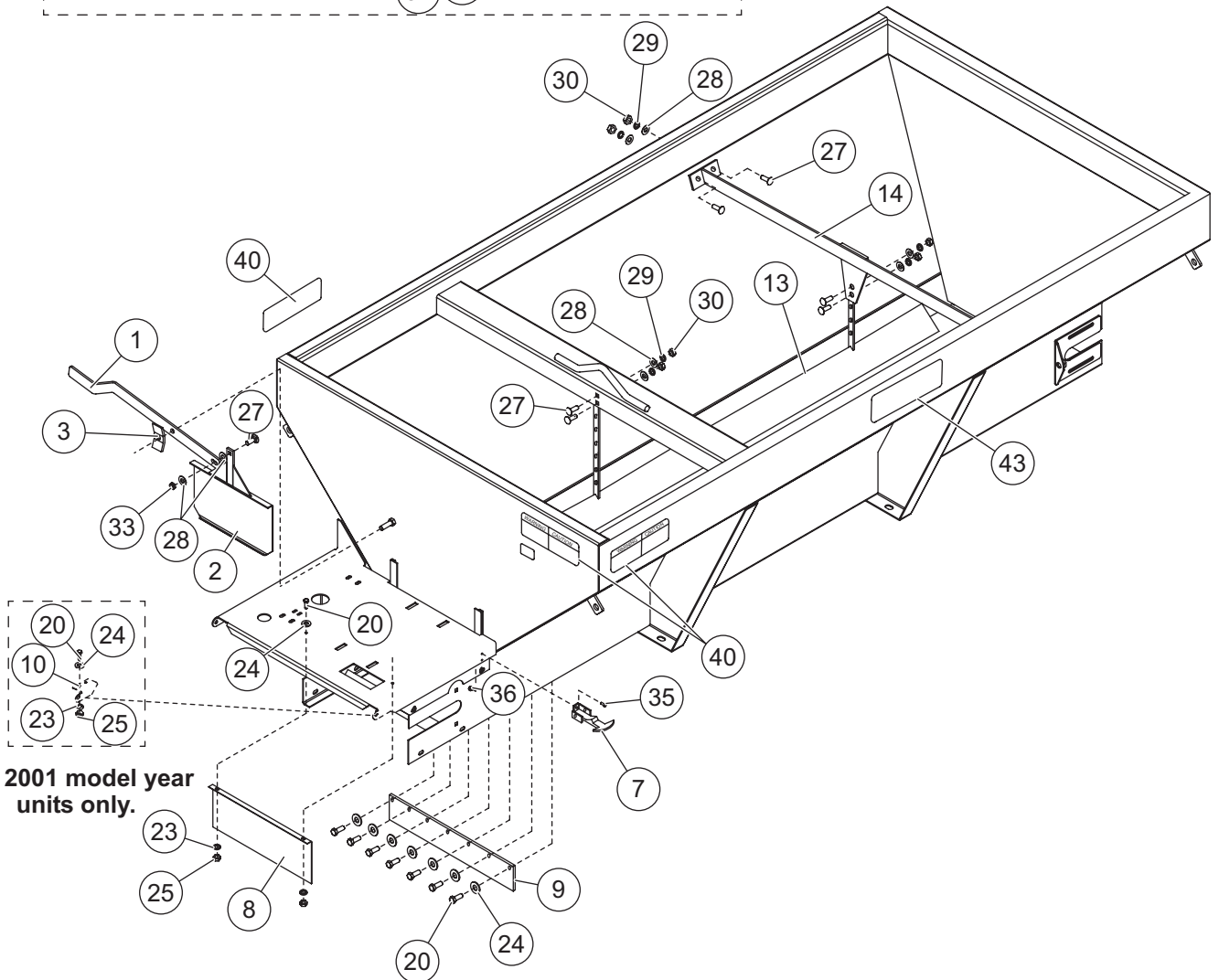
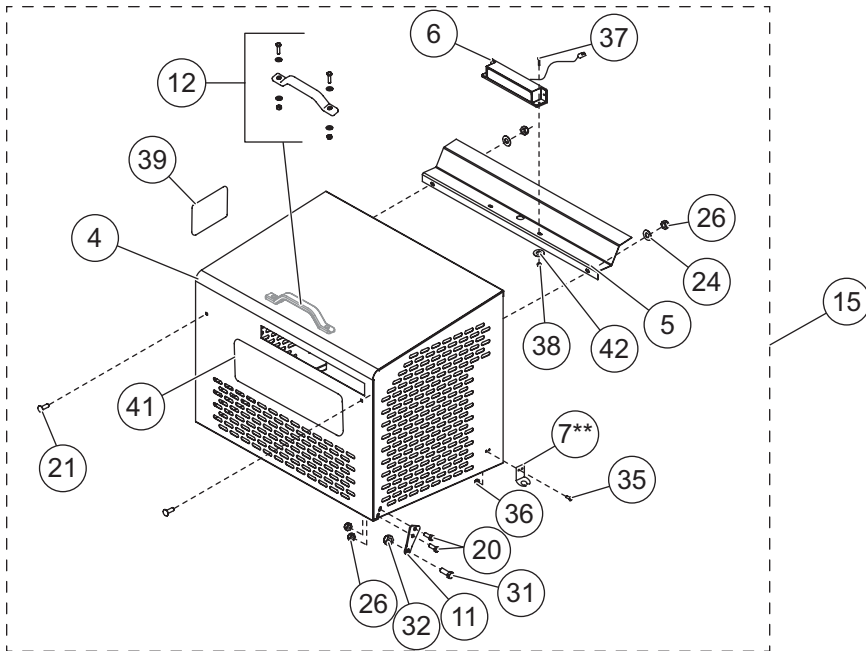
PRO-CASTER™ Hopper Spreader

Parts List

This Parts List is for FISHER® PRO-CASTER Hopper Spreaders with serial numbers beginning with 0806 and higher.

A DIVISION OF FISHER, LLC

BODY COMPONENTS



**For 2001 model year
units only.**

BODY COMPONENTS

Body Components									
Item	Part	Qty	Description	Item	Part	Qty	Description		
1	68977	1	Feed Gate Lever MS	9	20328	1	Wiper Belt		
	94913	1	Feed Gate Lever SS	10	94557	1	Bracket, Hinge		
2	68410	1	Feed Gate MS	11	94556	2	Tab, Hinge		
	68985	1	Feed Gate SS	12	99098	1	Plastic Handle Kit		
3	65218	1	Wing Nut MS	13*	94949**	1	Inverted V 7' Kit MS		
	65392	1	Wing Nut SS		94950**	1	Inverted V 7' Kit SS		
4	NA	1	Engine Cover MS		94948**	1	Inverted V 8' RC/HC & 9' HC Kit SS		
	NA	1	Engine Cover SS		94947**	1	Inverted V 8' RC/HC & 9' Kit MS		
5	94582-1	1	Engine Cover Baffle		65668**	1	Inverted V 10' Kit MS		
6	65361	1	Center High Mount Stop Light		95670**	1	Inverted V 10' Kit SS		
7	P3045**	2	Latch Kit	14	65327	AR	Inverted V Support		
8	94692***	1	Conveyor Guard MS	15	94699-1	1	Engine Cover Kit MS		
	94899***	1	Conveyor Guard SS		94952-1	1	Engine Cover Kit SS		
			AR = As Required				MS = Mild Steel	NA = Not Available	SS = Stainless Steel

* Inverted Vs for 7' and 8' RC hoppers are sold as accessories.
 Inverted Vs are standard equipment for 8', 9', and 10' HC hoppers.

** Includes all hardware.

*** For use with offset chute only.

Engine Cover Kit								
Item	Part	Qty	Description	Item	Part	Qty	Description	
4	NA	1	Engine Cover MS	26	67076	8	1/4 Hex Locknut SS	
	NA	1	Engine Cover SS	31	91015	2	3/8-16 x 1 Hex Cap Screw SS	
5	94582	1	Engine Cover Baffle	32	91351	2	3/8-16 Hex Locknut SS	
6	65361	1	Center High Mount Stop Light	37	90693	2	#6-32 x 3/4 Pan Head Machine Screw SS	
7	P3045**	2	Latch Kit	38	91398	2	#6-32 Hex Locknut SS	
11	94556	2	Tab, Hinge	39	65097	1	Label – Information (Warning)	
12	99098	1	Plastic Handle Kit	41	20724	1	Label – Identity, FISHER®	
20	90381	4	1/4-20 x 3/4 Hex Cap Screw SS	42	95227	2	#10 Flat Washer Type A SS	
21	94580	2	1/4-20 x 3/4 Carriage Bolt SS					
24	91013	2	1/4 Flat Washer SS					
			NA = Not Available				MS = Mild Steel	SS = Stainless Steel

** Includes all hardware

BODY COMPONENTS

Body Components – Hardware							
Item	Part	Qty	Description	Item	Part	Qty	Description
20	90381	16	1/4-20 x 3/4 Hex Cap Screw SS	33	67368	1	3/8-16 Jam Locknut SS
21	94580	2	1/4-20 x 3/4 Carriage Bolt SS	34	68345	4	3/8-16 x 1-1/2 Carriage Bolt SS
22	63938	2	1/4-20 x 3/4 Machine Screw SS	35	67092	8	#10-24 x 1/2 Socket Button Head Cap Screw SS
23	91017	11	1/4 Lock Washer SS	36	91330	8	#10-24 Hex Locknut SS
24	91013	13	1/4 Flat Washer SS	37	90693	2	#6-32 x 3/4 Pan Head Machine Screw SS
25	91429	11	1/4-20 Hex Nut SS	38	91398	2	#6-32 Hex Locknut SS
26	67076	8	1/4 Hex Locknut SS	39	65097	1	Label – Information (Warning)
27	90375	13	3/8-16 x 1 Carriage Bolt SS	40	68595	3	Label – Warning/Caution
28	91123	14	3/8 Flat Washer SS	41	20724	1	Label – Identity, FISHER®
29	91282	12	3/8 Lock Washer SS	43	27181	2	Label – Identity, PRO-CASTER™
30	91431	12	3/8-16 Hex Nut SS				
31	91015	2	3/8-16 x 1 Hex Cap Screw SS				
32	91351	2	3/8-16 Hex Locknut SS				

SS = Stainless Steel

Copyright © 2017 Douglas Dynamics, LLC. All rights reserved. This material may not be reproduced or copied, in whole or in part, in any printed, mechanical, electronic, film, or other distribution and storage media, without the written consent of Fisher Engineering. Authorization to photocopy items for internal or personal use by Fisher Engineering outlets or spreader owner is granted.

Fisher Engineering reserves the right under its product improvement policy to change construction or design details and furnish equipment when so altered without reference to illustrations or specifications used. Fisher Engineering or the vehicle manufacturer may require or recommend optional equipment for spreaders. Do not exceed vehicle ratings with a spreader. Fisher Engineering offers a limited warranty for all spreaders and accessories. See separately printed page for this important information. The following are registered (®) or unregistered (™) trademarks of Douglas Dynamics, LLC: FISHER®, PRO-CASTER™.

Printed in U.S.A.