

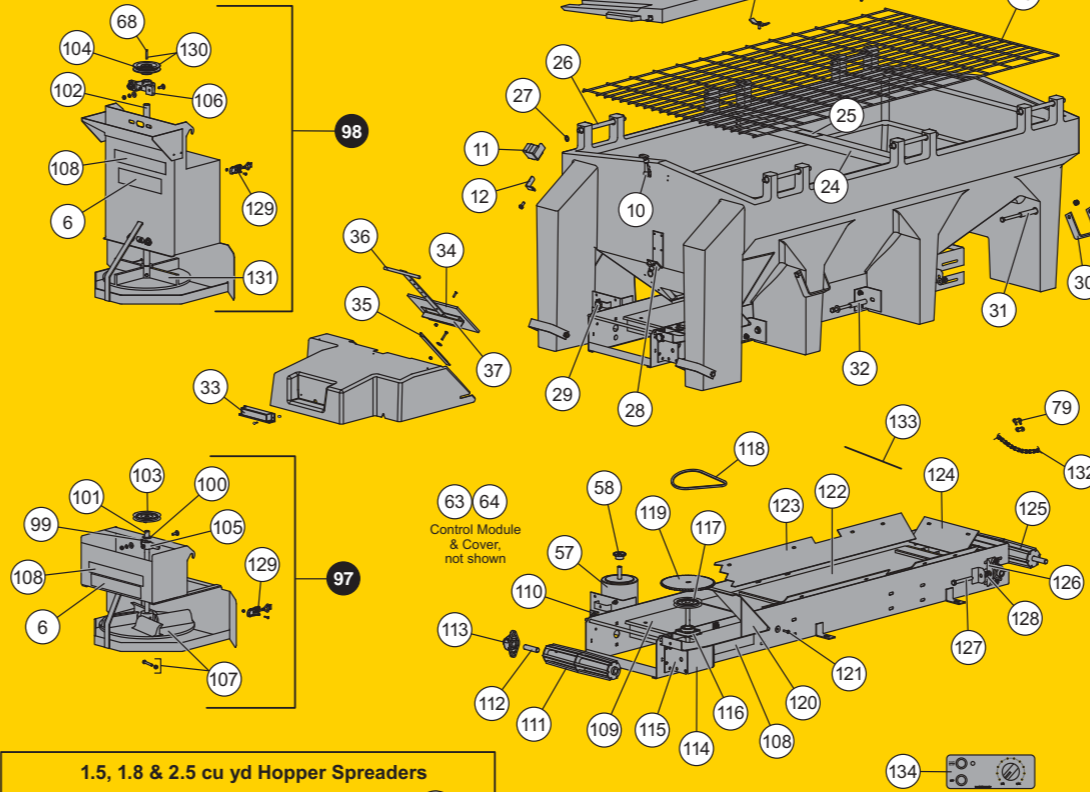
POLY-CASTER™

SERVICE PARTS

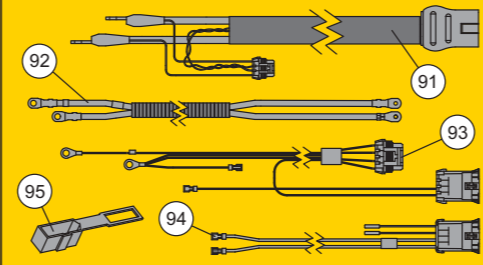
For more information, see complete parts lists at www.fisherplows.com: no. 96111 (1.25 cu yd spreader) and no. 94206 (1.5, 1.8 & 2.5 cu yd spreaders).



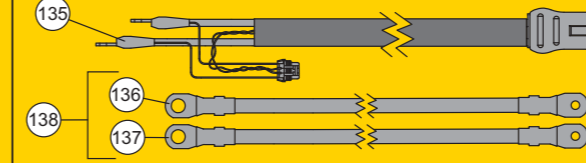
1.25 cu yd POLY-CASTER™ Spreader



1.5, 1.8 & 2.5 cu yd Hopper Spreaders

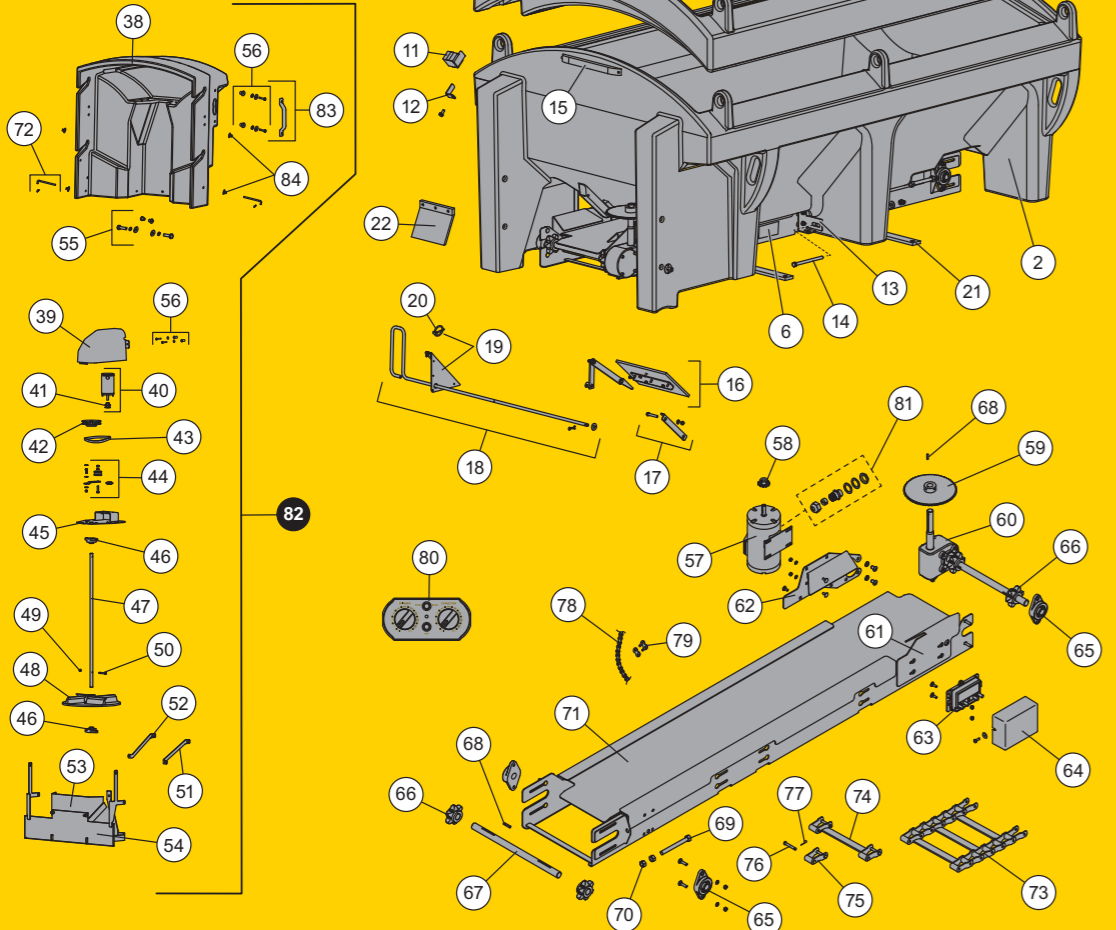


1.25 cu yd Hopper Spreaders



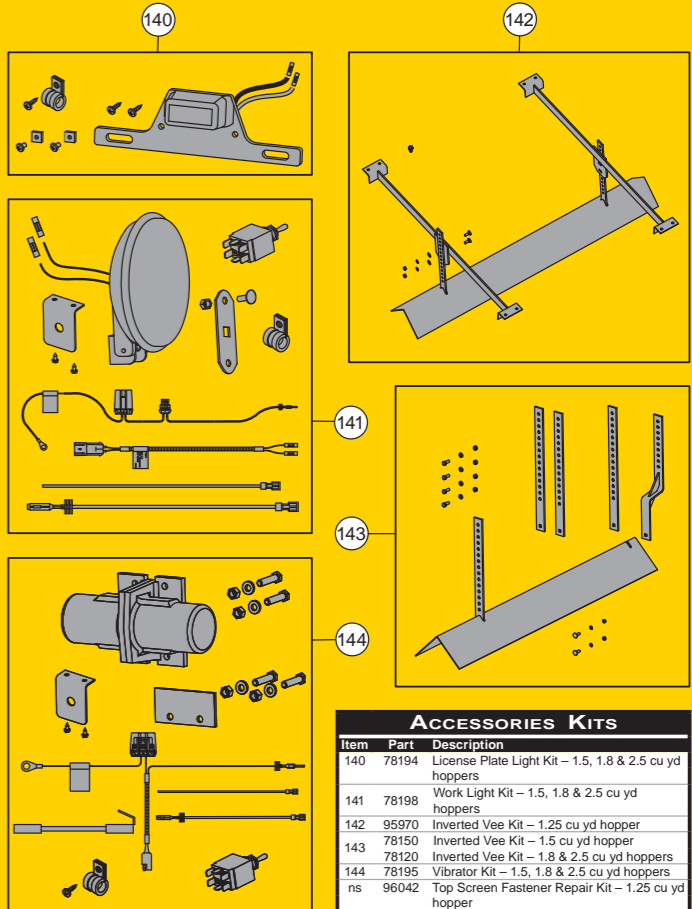
DRIVE COMPONENTS		
Item	Part	Description
38	78123	Chute Cover
39	78287	Chute Motor Cover
ns	78099*	Chute Motor Cover
40	78300	Motor 12V DC 1/3 hp (incl. item 43)
ns	78125*	Chute Motor Mounting Plate Kit
41	93101	10-Tooth Cogged Belt Pulley
42	78106*	10-Tooth Cogged Belt Pulley
43	78066	40-Tooth Cogged Belt Pulley 3/4 Bore
44	78298	Idler Kit
45	78297	Chute Motor Base Plate
46	96167	Pillow Block Bearing 3/4 Bore
47	78283	Spinner Shaft
48	94424	Spinner, Poly
49	91430	5/16-18 x 2-1/4 Hex Nut SS
50	94495	5/16-18 x 2-1/4 Hex Cap Screw SS
51	78301	Brace, DS
52	78302	Brace, PS
53	78294	Deflector
54	78130	Spinner Guard
55	78268	3/8 Well Nut Fastener Kit
56	78270	1/4 Well Nut Fastener Kit
57	95755-2	Motor 12V DC, 1/2 hp
58	95777	Sprocket, #40 x 11T x 5/8
59	78057	Sprocket, #40 x 55T x 1
60	95667	Gear Case 20:1
61	78131	Chain Guard, Rear (DS)
62	78132	Chain Guard, Rear (PS)
63	78178-1	Control Module - Dual Motor
64	78108	Motor Cover
65	94536	1-1/8 Bearing, 2-Bolt Flange
66	95909	Drive Sprocket, 6-Tooth
67	94351	Idler Shaft
68	65174	1/4 x 1-1/2 Machine Key
69	65609	5/8-11 x 6 Take-Up Bolt SS
70	91435	5/8-11 Hex Nut
71	78192	Sill 7'
72	78193	Sill 8'
73	78031	Chute Attachment Pin Bag (pkg of 2)
74	78076	Pintle Chain (99 links)
75	94898	Pintle Chain (108 Links)
76	68492	Conveyor Repair Bar w/Pins and Cotter
77	68475	Conveyor Repair Link w/Pins and Cotter
78	41743	Conveyor Chain Pin w/Cotter
79	91897	3/32 x 1/2 Cotter Pin
80	78075	#40 Chain with Master Link
81	95894	#40 Chain Master Link
82	78102	Cab Control - 1.5, 1.8 & 2.5 cu yd hoppers
83	78246	Control Bracket Kit
84	78201	Seal Kit
85	78230-1	Full Chute Assembly
86	78247	Chute Handle Kit
87	78262	Chute Attachment Sleeve Kit
88	25211	22" Battery Cable
89	29217	Vehicle Power Cable
90	29221	Vehicle-Side Control Harness
91	78199	CHMSL Harness Kit - 1.5, 1.8, 2.5 cu yd hopper
92	95836	Fuse, 100 Amp
93	95837	Fuse Holder
94	48808	Spreader Power Cable
95	78103	Wiring - Module to Conveyor Motor
96	92104	Wiring - Module to Spinner Connector & CHMSL
97	78105	Wiring - Spinner Connector to Spinner Motor
98	8291K	Plug Cover Kit
99	78204	Vehicle-Only Components Kit - 1.5, 1.8 & 2.5 cu yd hoppers (Cab Control not included.)
100	95785	Chute & Spinner Assembly, Standard
101	95950	Chute & Spinner Assembly, Extended
102	65777	Locking Collar, 3/4 Bore
103	67114	3/4 Thrust Washer
104	95795	Spinner Shaft, Standard Chute
105	95960	Spinner Shaft, Extended Chute
106	95796-1	Pulley, 4-1/2 x 3/4 Bore
107	95745	Pulley, 4-1/2 x 1 Bore
108	65776	Pillow Block Bearing 3/4 Bore
109	95769	Poly Floor
110	95730	Motor Brace
111	68605	Conveyor Roller, Drive
112	65753	Stub Shaft, Conveyor Roller
113	68619	Flange Bearing 3/4 Bore
114	95756	Gear Box 20:1
115	95809	Gear Box Mounting Bracket
116	68662	Flange Bearing 4-Bolt, 5/8 Bore
117	65765	Pulley, 4-1/2 x 5/8 Bore
118	94691	V-Belt
119	95776	55-Tooth Sprocket #40
120	95814	Gear Box Cover
121	68067	1/4-20 x 1 Hex Cap Screw SS
122	95757-1	Cleated Conveyor Belt
123	95770-1	Side Belt Guard
124	95771	Front Belt Guard
125	95963	Idler Roller Assembly, Conveyor
126	95762	Bearing Plate
127	68620	1/2-13 x 4 Take-Up Bolt SS
128	67295	1/2-13 Hex Nut SS
129	95819	Draw Latch
130	95943	Pulley Kit, 4-1/2 x 1 Bore
131	94513	Spinner, Poly Service Kit 14.5"
132	95778	Drive Chain #40
133	95929	Conveyor Belt Lacing Pin
134	29246	Cab Control - 1.25 cu yd hopper
135	29585	Spreader Power Cable
136	29249-1	Cable Assembly, Black
137	29251-1	Cable Assembly, Red
138	29253	Motor Cable Kit
139	95744	Vehicle-Only Components Kit - 1.25 cu yd hopper (Cab Control not included.)
140	68794	CHMSL Harness Kit - 1.25 cu yd hopper
141	95938	Label - Information (Caution, Module)

1.5, 1.8 or 2.5 cu yd POLY-CASTER Spreader



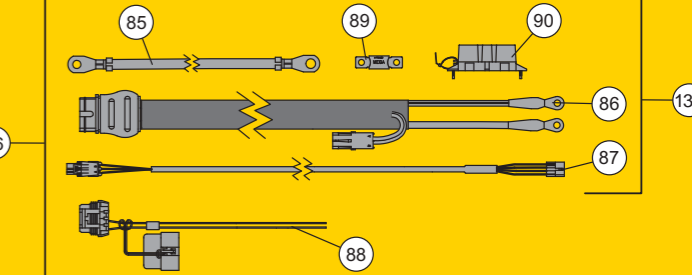
HOPPER COMPONENTS		
Item	Part	Description
1	78018	Poly Hopper Lid 7' (DS)
ns	78019	Poly Hopper Lid 8' (DS)
2	78020	Poly Hopper Lid 7' (PS)
ns	78021	Poly Hopper Lid 8' (PS)
3	78010	Poly Hopper Body 7'
ns	78013	Poly Hopper Body 8'
4	78227	Poly Hopper 8' Collar
5	78242	Poly Hopper Collar Hardware Kit
6	78115	Top Screen, 7' (Painted)
7	78116	Top Screen, 8' (Painted)
8	78116	Top Screen, 8' (Painted)
9	78097	Washer 2.5 OD x 1.53 ID SS
10	65224	Strap, Rubber Hold-Down Assembly
11	61246	Cable Boot
12	8289	Boot Bracket
13	78119	Hopper Mounting Bracket (PS)
14	78133	Hopper Mounting Bracket (DS)
15	78203	1/2-13 x 7-1/2 Hex Cap Screw SS
16	95848	CHMSL Kit (incl. fasteners)
17	78118	Feed Gate Assembly Kit (incl. subassembly)
18	78083	Feed Gate Guide w/ Fasteners Kit
19	78094	Feed Gate Handle Kit
20	93042	3/16 Linchpin
21	78109	Mounting Bar (incl. fasteners)
22	78177	Sprocket Shield Kit
23	95847-2	Top Screen - 1.25 cu yd hopper
24	96380-1	Top Screen Brace with Labels
25	67272	Label - Information (Caution)
26	95817	Hinge Pin
27	95818	Hinge Pin Retainer
28	95897	Feed Gate Latch
29	67158	1/4-20 x 1 Thumb Screw SS
30	95848	Handle
31	95812	5" Sleeve
32	95830	4" Sleeve
33	65361	Center High Mounted Stoptight (CHMSL)
34	95772	Poly Feed Gate
35	95773	Feed Gate Guide
36	95899	Feed Gate Handle
37	95768	Feed Gate Stiffener

POLY-CASTER Accessories Kits



ACCESSORIES KITS		
Item	Part	Description
140	78194	License Plate Light Kit - 1.5, 1.8 & 2.5 cu yd hoppers
141	78198	Work Light Kit - 1.5, 1.8 & 2.5 cu yd hoppers
142	95970	Inverted Vee Kit - 1.25 cu yd hopper
ns	78150	Inverted Vee Kit - 1.5 cu yd hopper
143	78120	Inverted Vee Kit - 1.8 & 2.5 cu yd hoppers
144	78195	Vibrator Kit - 1.5, 1.8 & 2.5 cu yd hoppers
ns	96042	Top Screen Fastener Repair Kit - 1.25 cu yd hopper

Vehicle-Only Components Kits



Copyright © 2014 Douglas Dynamics, LLC. All rights reserved. This material may not be reproduced or copied, in whole or in part, in any printed, mechanical, electronic, film or other distribution and storage media, without the written consent of Fisher Engineering. Authorization to photocopy items for internal or personal use by Fisher Engineering outlets or snowplow owner is granted.

Fisher Engineering reserves the right under its product improvement policy to change construction or design details and furnish equipment when so altered without reference to illustrations or specifications used. Fisher Engineering or the vehicle manufacturer may require or recommend optional equipment for snow removal. Do not exceed vehicle ratings with a spreader. Fisher Engineering offers a limited warranty for all spreaders and accessories. See separately printed page for this important information. The following are registered (®) or unregistered (™) trademarks of Douglas Dynamics, LLC: FISHER®, POLY-CASTER™.

www.fisherplows.com • Fisher Engineering
50 Gordon Drive, Rockland, ME 04841

Copyright © 2014 Douglas Dynamics, LLC. All rights reserved. This material may not be reproduced or copied, in whole or in part, in any printed, mechanical, electronic, film or other distribution and storage media, without the written consent of Fisher Engineering. Authorization to photocopy items for internal or personal use by Fisher Engineering outlets or snowplow owner is granted.

Fisher Engineering reserves the right under its product improvement policy to change construction or design details and furnish equipment when so altered without reference to illustrations or specifications used. Fisher Engineering or the vehicle manufacturer may require or recommend optional equipment for snow removal. Do not exceed vehicle ratings with a spreader. Fisher Engineering offers a limited warranty for all spreaders and accessories. See separately printed page for this important information. The following are registered (®) or unregistered (™) trademarks of Douglas Dynamics, LLC: FISHER®, POLY-CASTER™.

www.fisherplows.com • Fisher Engineering
50 Gordon Drive, Rockland, ME 04841

Copyright © 2014 Douglas Dynamics, LLC. All rights reserved. This material may not be reproduced or copied, in whole or in part, in any printed, mechanical, electronic, film or other distribution and storage media, without the written consent of Fisher Engineering. Authorization to photocopy items for internal or personal use by Fisher Engineering outlets or snowplow owner is granted.

Fisher Engineering reserves the right under its product improvement policy to change construction or design details and furnish equipment when so altered without reference to illustrations or specifications used. Fisher Engineering or the vehicle manufacturer may require or recommend optional equipment for snow removal. Do not exceed vehicle ratings with a spreader. Fisher Engineering offers a limited warranty for all spreaders and accessories. See separately printed page for this important information. The following are registered (®) or unregistered (™) trademarks of Douglas Dynamics, LLC: FISHER®, POLY-CASTER™.

www.fisherplows.com • Fisher Engineering
50 Gordon Drive, Rockland, ME 04841