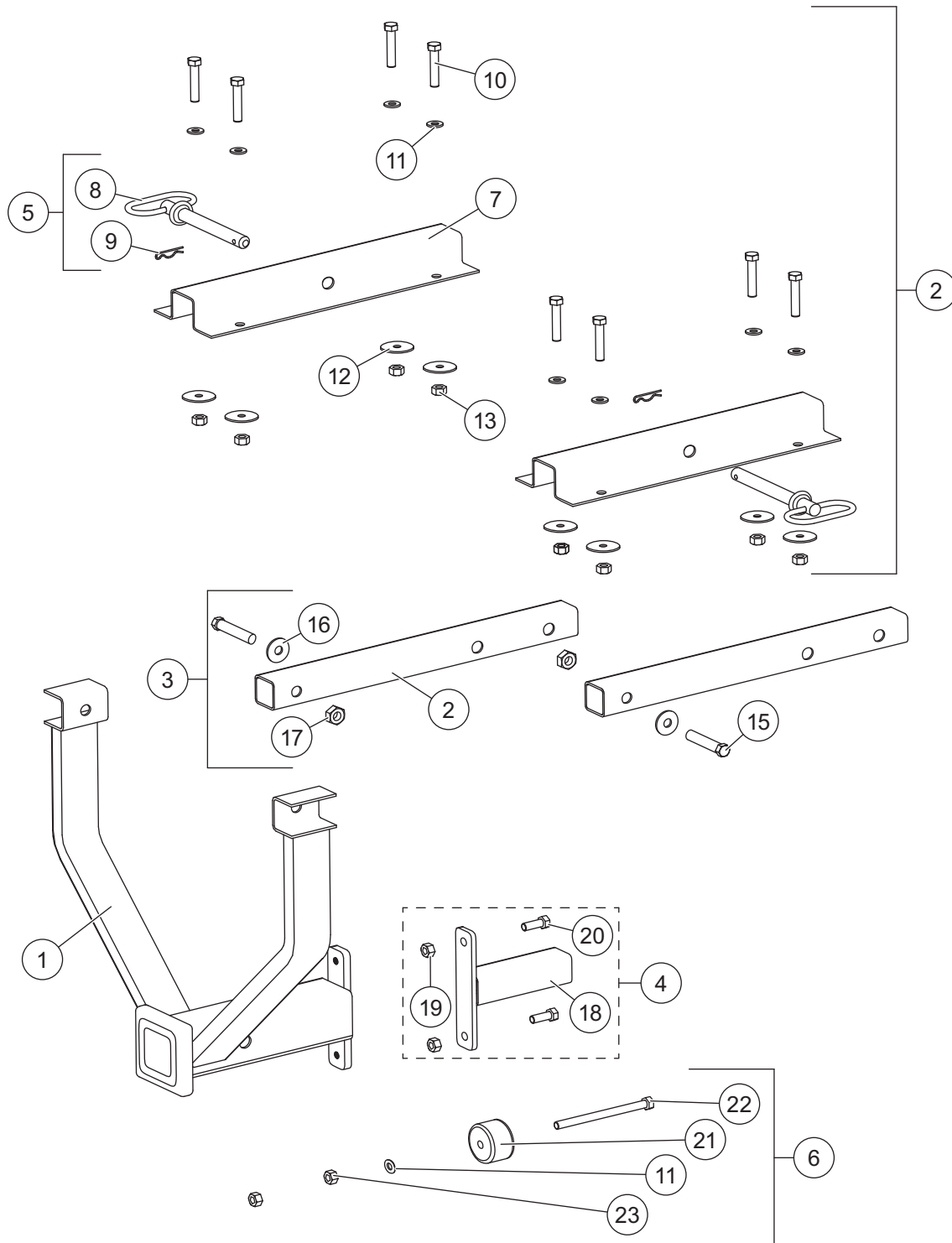


PARTS LIST



75920

75920 Drop Utility Mount Kit							
Item	Part	Qty	Description	Item	Part	Qty	Description
1	75937	1	Drop Mount Weldment	4	75938	1	Adapter Kit
2	75935	1	Mounting Rail Hat Kit	5	75620	1	Hitch Pin Kit
3	75936	1	Mounting Rail Kit	6	75939	1	Stopper Kit
Item 2 75935 Mounting Rail Hat Kit							
7		2	Mounting Rail Hat	11		8	3/8 Flat Washer
8		2	5/8 x 5-1/2 Hitch Pin	12		8	3/8 Fender Washer
9		2	.093 x 2-3/8 Hairpin Cotter	13		8	3/8-16 Hex Locknut
10		8	3/8-16 x 2 Hex Cap Screw				
Item 3 75936 Mounting Rail Kit							
14		2	Mounting Rail	16		2	1/2 Flat Washer
15		2	1/2-13 x 2-1/2 Hex Cap Screw	17		2	1/2-13 Hex Locknut
Item 4 75938 Adapter Kit							
18		1	Adapter Bracket	20		2	3/8-16 x 1-1/2 Hex Cap Screw
19		2	3/8-16 Hex Locknut				
Item 5 75620 Hitch Pin Kit							
8		2	5/8 x 5-1/2 Hitch Pin	9		2	.093 x 2-3/8 Hairpin Cotter
Item 6 75939 Stopper Kit							
11		1	3/8 Flat Washer	22		1	3/8-16 x 5 Hex Cap Screw
21		1	2" Rubber Stopper	23		2	3/8-16 Hex Nut

Copyright © 2016 Douglas Dynamics, LLC. All rights reserved. This material may not be reproduced or copied, in whole or in part, in any printed, mechanical, electronic, film or other distribution and storage media, without the written consent of the company. Authorization to photocopy items for internal or personal use by the company's outlets or spreader owner is granted.

The company reserves the right under its product improvement policy to change construction or design details and furnish equipment when so altered without reference to illustrations or specifications used. This equipment manufacturer or the vehicle manufacturer may require or recommend optional equipment for spreaders. Do not exceed vehicle ratings with a spreader. The company offers a limited warranty for all spreaders and accessories. See separately printed page for this important information.

Printed in U.S.A.