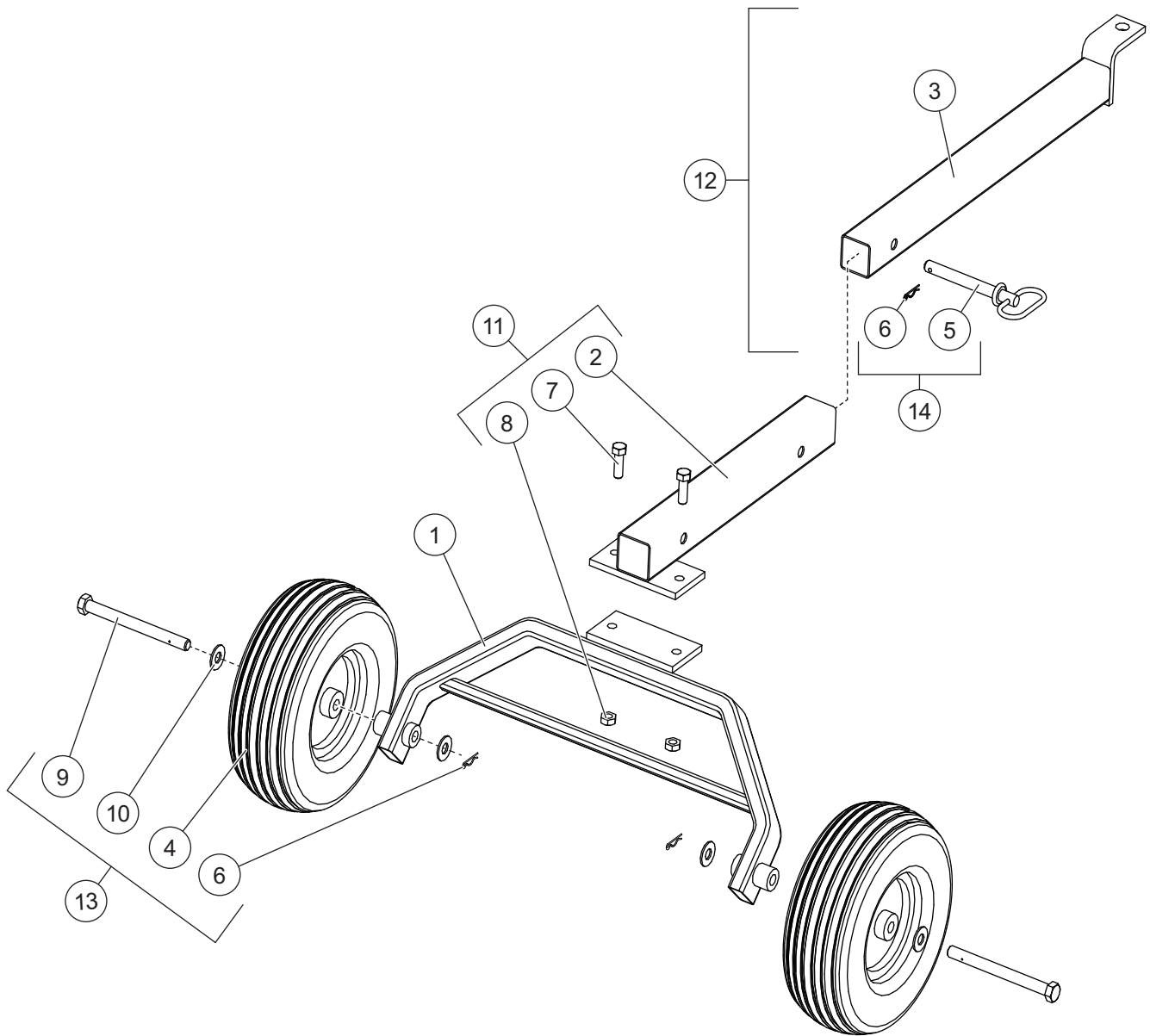


PARTS LIST



75921 Trailer Mount Kit							
Item	Part	Qty	Description	Item	Part	Qty	Description
1	75947	1	Trailer A-Frame	9		2	5/8-11 x 7 Axle
2		1	2" Receiver Mount	10		2	5/8 Flat Washer
3		1	Trailer Tongue	11	75945	1	Receiver Mount Kit
4		2	Trailer Tire	12	75946	1	Trailer Tongue Kit
5		1	5/8 x 5-1/2 Hitch Pin	13	75943	1	Tire Kit
6		1	.093 x 2-3/8 Hairpin Cotter	14	75940	1	Hitch Pin Kit
7		2	1/2-13 x 1-1/2 Hex Cap Screw	ns	75948	1	Bolt Bag – 75921
8		2	1/2-13 Hex Locknut				
Item 11				75945 Receiver Mount Kit			
2		1	2" Receiver Mount	8		2	1/2-13 Hex Locknut
7		2	1/2-13 x 1-1/2 Hex Cap Screw				
Item 12				75946 Trailer Tongue Kit			
3		1	Trailer Tongue	6		1	.093 x 2-3/8 Hairpin Cotter
5		1	5/8 x 5-1/2 Hitch Pin				
Item 13				75943 Tire Kit			
4		2	Trailer Tire	10		2	5/8 Flat Washer
9		2	5/8-11 x 7 Axle	6		2	.093 x 2-3/8 Hairpin Cotter
Item 14				75940 Hitch Pin Kit			
5		1	5/8 x 5-1/2 Hitch Pin	6		1	.093 x 2-3/8 Hairpin Cotter
75948 Bolt Bag – 75921							
5		1	5/8 x 5-1/2 Hitch Pin	8		2	1/2-13 Hex Locknut
6		1	.093 x 2-3/8 Hairpin Cotter	9		2	5/8-11 x 7 Axle
7		2	1/2-13 x 1-1/2 Hex Cap Screw	10		2	5/8 Flat Washer
ns = not shown							

Copyright © 2015 Douglas Dynamics, LLC. All rights reserved. This material may not be reproduced or copied, in whole or in part, in any printed, mechanical, electronic, film or other distribution and storage media, without the written consent of the company. Authorization to photocopy items for internal or personal use by the company's outlets or spreader owner is granted.

The company reserves the right under its product improvement policy to change construction or design details and furnish equipment when so altered without reference to illustrations or specifications used. This equipment manufacturer or the vehicle manufacturer may require or recommend optional equipment for spreaders. Do not exceed vehicle ratings with a spreader. The company offers a limited warranty for all spreaders and accessories. See separately printed page for this important information.

Printed in U.S.A.