



Fisher Engineering

50 Gordon Drive, Rockland, Maine 04841-2139 • www.fisherplows.com

**29800
49900**

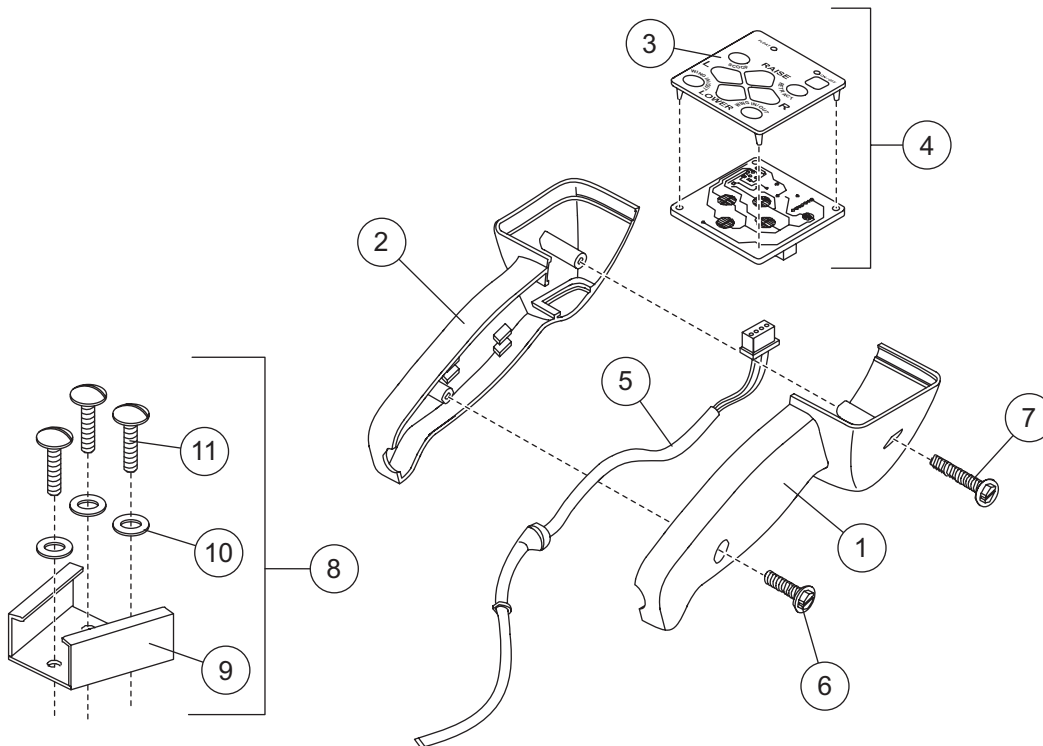
April 1, 2016
Lit. No. 96579, Rev. 00

FLEETFLEX
ELECTRICAL SYSTEM

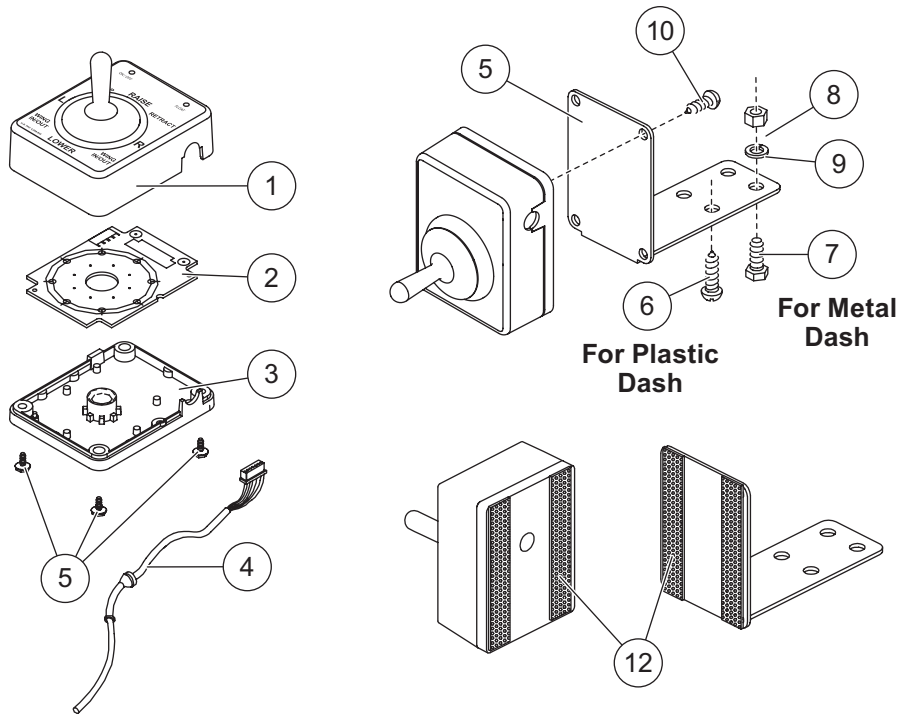


Fish-Stik® Hand-Held Control Kit Joystick Control Kit

Parts List



29800 Fish-Stik Hand-Held Control Kit							
Item	Part	Qty	Description	Item	Part	Qty	Description
1	96456	1	Control Body – Right	5	96464	1	Harness 9 - Button (4-Pin)
2	96457	1	Control Body – Left	6	93173	1	8-18 x 3/4 Tapping Screw
3	96450	1	Keypad – (9-Button) FE	7	93174	1	8-18 x 1-1/4 Tapping Screw
4	49471	1	PC Board & Keypad 9-Button (4-Pin)	8	64312	1	Parts Bag – Control Bracket
Item 8	64312 Parts Bag – Control Bracket						
9		1	Control Bracket	11		3	6-32 x 1 Tapping Screw
10		3	#6 Spring Lock Washer				
ns = not shown				G = Grade			



49900 Joystick Control Kit							
Item	Part	Qty	Description	Item	Part	Qty	Description
1	96358	1	Cover Assembly w/Actuator Spring and Label	4	96352	1	Harness (4-Pin)
2	96353	1	PC Board	5	96364	3	4 x 3/8 Tapping Screw
3	96366	1	Bottom Housing	ns	96363	1	Dash Bracket Parts Bag
ns 96363 Dash Bracket Parts Bag							
6		1	Control Bracket	10		2	1/4 Spring Lock Washer
7		4	12-14 x 3/4 Tapping Screw	11		2	8-18 x 5/8 Tapping Screw
8		2	1/4-20 x 3/4 Hex Cap Screw G5	12	20254K	1	Dual Lock Mounting Kit
9		2	1/4-20 Hex Nut G5				
ns = not shown				G = Grade			

Copyright © 2016 Douglas Dynamics, LLC. All rights reserved. This material may not be reproduced or copied, in whole or in part, in any printed, mechanical, electronic, film or other distribution and storage media, without the written consent of Fisher Engineering. Authorization to photocopy items for internal or personal use by Fisher Engineering outlets or snowplow owner is granted.

Fisher Engineering reserves the right under its product improvement policy to change construction or design details and furnish equipment when so altered without reference to illustrations or specifications used. Fisher Engineering or the vehicle manufacturer may require or recommend optional equipment for snow removal. Do not exceed vehicle ratings with a snowplow. Fisher Engineering offers a limited warranty for all snowplows and accessories. See separately printed page for this important information. The following are registered (®) or unregistered (™) trademarks of Douglas Dynamics, LLC: FISHER®, Fish-Stik®.

Printed in U.S.A.