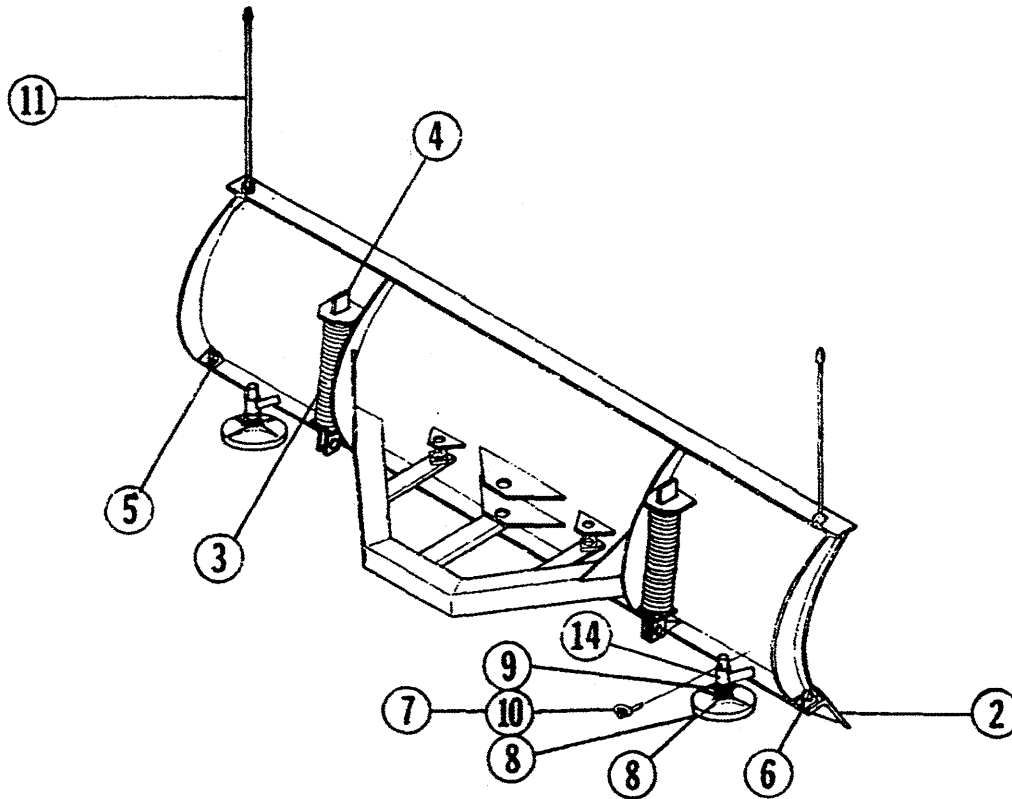


SERIES  
"G"

6-1/2' BLADE

A5569



REF NO	PART NUMBER	QUAN	DESCRIPTION
2	5574	1	6-1/2 FOOT BASE ANGLE
3	305	2	TRIP SPRING
4	403	2	SPRING BAR
		2	1/2-13 x 1-1/2 GR. 5 BOLT (NC)
		2	1/2- 13 SELF LOCKING NUT
5		4	1/8 x 1-1/4 COTTER PINS
6	5523	4	3/4 x 2-1/8 MACHINE PIN
7	A463	2	REGULAR SHOE ASSEMBLY
8	306	2	REGULAR SHOE
8	5561	2	ANTI-WEAR SHOE
9	307	12	SHOE SPACER
10	308	2	SHOE PIN
11	A5108	2	BLADE GUIDE, FLEXIBLE (PACKED IN COMMON ATTACHING KIT)
12			
13			
14	5014	2	SHOE TUBE/SUPPORT