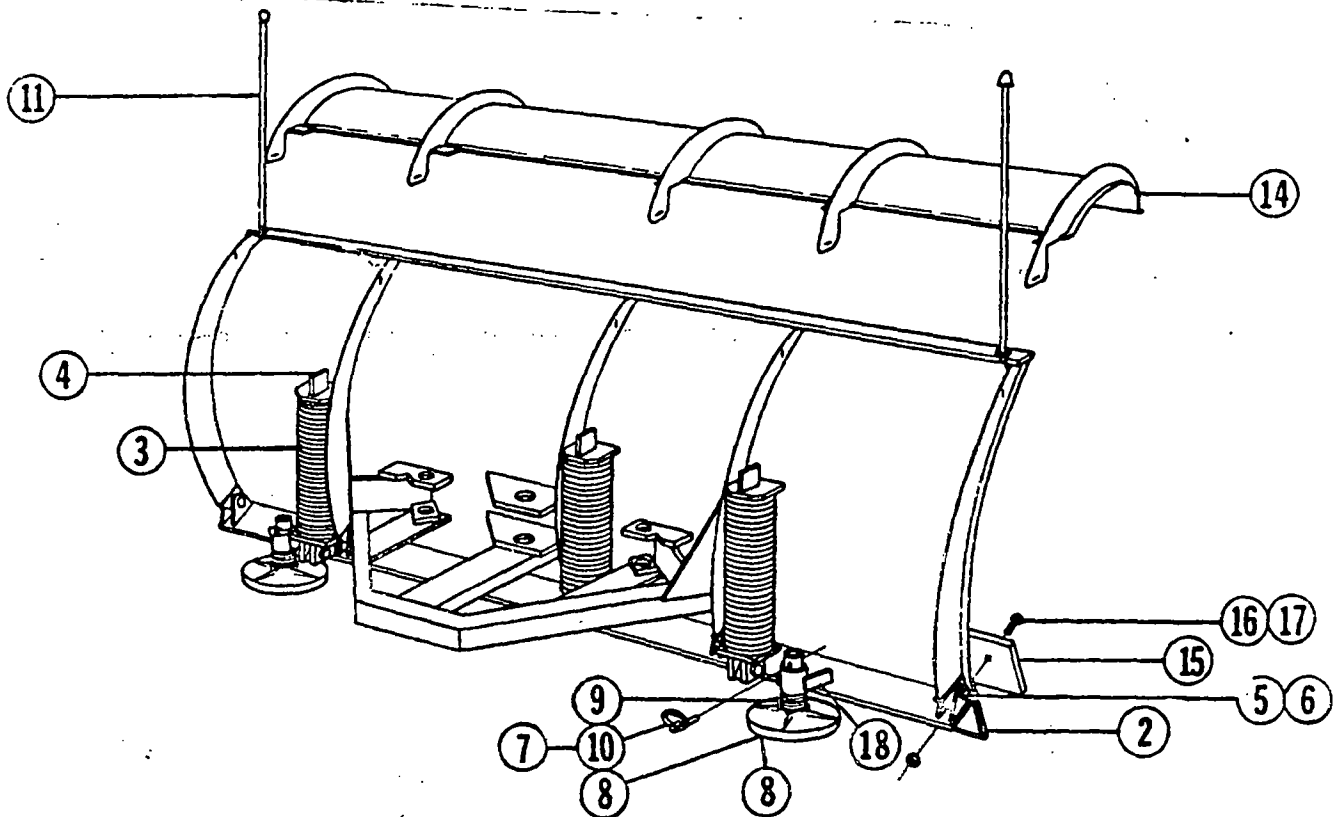


SERIES  
G & H

7' BLADE  
7-1/2' BLADE

A5570  
A5563



REF. NO.	PART NUMBER	DESCRIPTION	QTY. REQ.	
			7 Ft.	7½ Ft.
2	5575	7 FOOT BASE ANGLE	1	
	5566	7½ FOOT BASE ANGLE		1
3	305	TRIP SPRING	3	3
4	403	SPRING BAR	3	3
		1/2-13 x 1-1/2 GR. 5 BOLT (NC)	3	3
		1/2-13 SELF LOCKING NUT	3	3
5		1/8 x 1-1/4 COTTER PIN	5	5
6	5523	3/4 x 2-1/8 MACHINE PIN	5	5
7	A463	REGULAR SHOE ASSEMBLY	2	2
8	306	REGULAR SHOE	2	2
8	5561	ANTI WEAR SHOE		2
9	307	SHOE SPACER	12	12
10	308	SHOE PIN	2	2
11	A5108	BLADE GUIDE, FLEXIBLE (PACKED IN COMMON ATTACHING KIT)	2	2
12				
13				
14	A5554	7' SNOFOIL (OPTIONAL)	1	
14	A5556	7½' SNOFOIL (OPTIONAL)		1
15	5532	7½' REPLACEABLE CUTTING EDGE (OPTIONAL)		1
16	5551	1/2-13 x 2 CARRIAGE BOLT, GRADE 5 (OPTIONAL)		8
17	5552	1/2-13 LOCKNUT		8
18	5014	SHOE TUBE/SUPPORT		