



## Harness Configuration Instructions

### Ford / Mazda with HB-1 or HB-5 Style Headlamps

---

#### Contents

	Page
<b>Ford / Mazda with HB-5 Headlamps</b> .....	<b>2</b>
1992-__ Ford F-Series	
1993-__ Ranger	
1992 Bronco	
1994-__ Mazda B3000 & B4000	
<b>Ford / Mazda with HB-1 Headlamps</b> .....	<b>3</b>
1987-91 Ford F-Series, Bronco	
1991-94 Explorer	
1991-94 Mazda Navajo	
1992 Ranger	

**This kit can be configured for multiple applications.**

- The 8269B harness replaces plug-in harness 8269.
- The 8269B harness replaces plug-in harness 8266.

#### **Parts List**

<b>Qty</b>	<b>Part #</b>	<b>Description</b>
1	20581	Plug-in Harness
1	20589	Plug-in Adapter

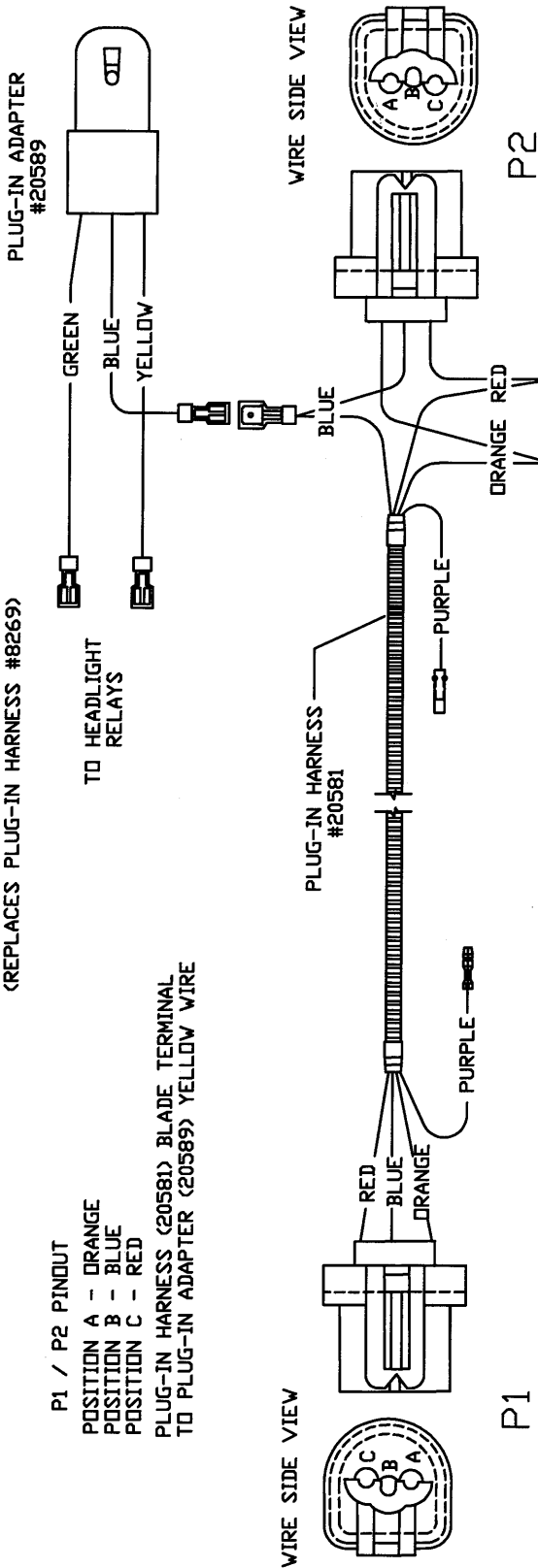
# FORD/MAZDA HB-5 HEADLIGHTS

(REPLACES PLUG-IN HARNESS #8269)

P1 / P2 PINDOUT

- POSITION A - ORANGE
- POSITION B - BLUE
- POSITION C - RED

PLUG-IN HARNESS (20581) BLADE TERMINAL TO PLUG-IN ADAPTER (20589) YELLOW WIRE

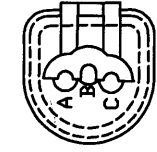


WIRE SIDE VIEW

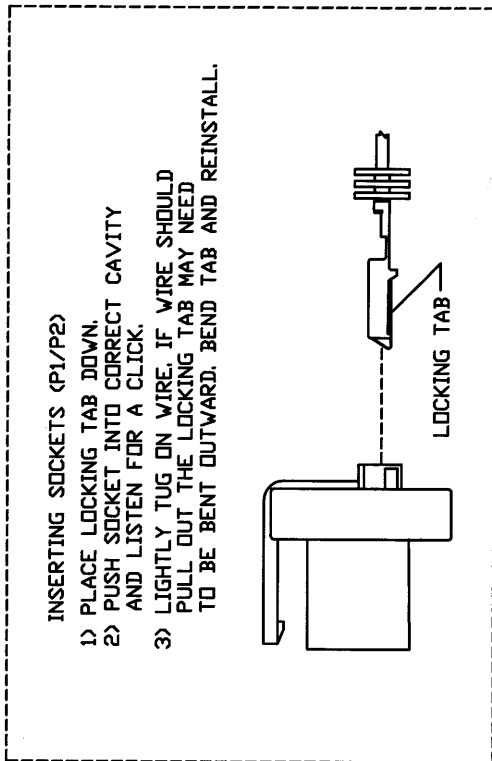


P1

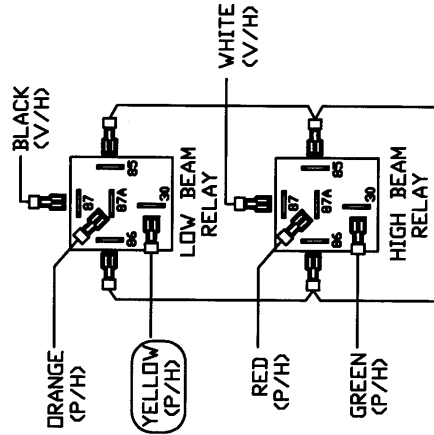
WIRE SIDE VIEW



P2



ILL21302R1



BROWN (V/H)  
BLACK/ORANGE (V/H)

**RELAY CONNECTIONS**  
(V/H = FROM VEHICLE HARNESS)

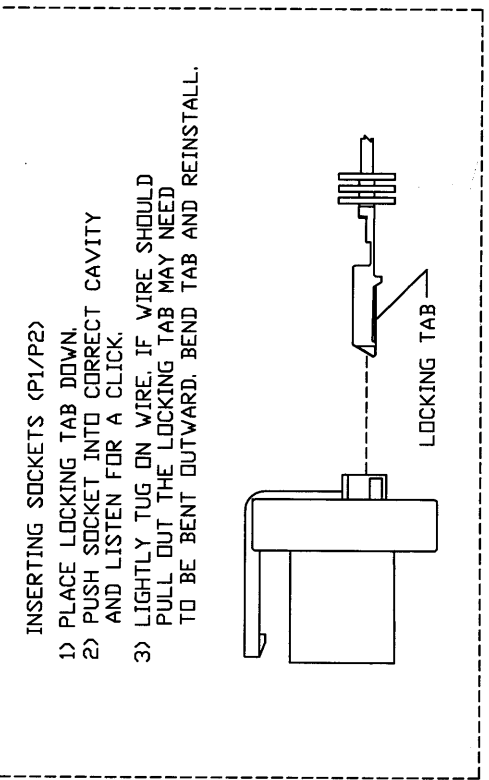
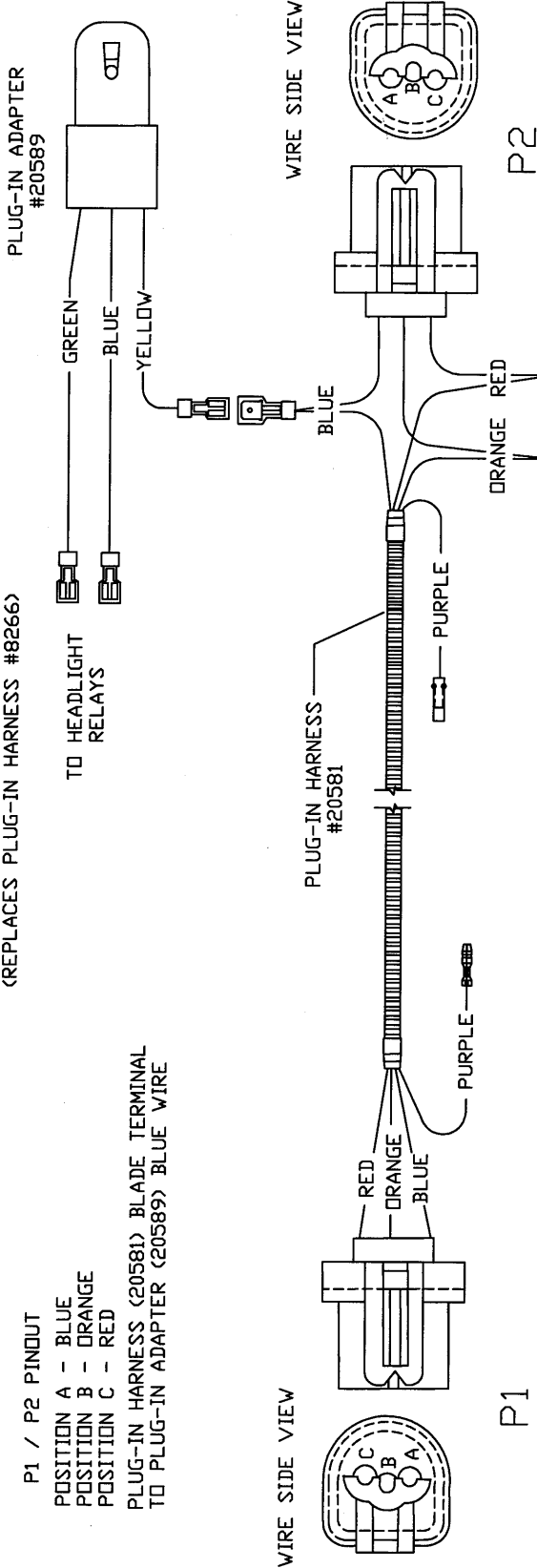
FORD/MAZDA HB-1 HEADLIGHTS

(REPLACES PLUG-IN HARNESS #8266)

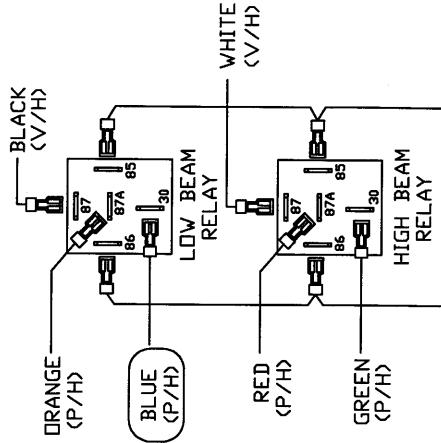
P1 / P2 PINOUT

- POSITION A - BLUE
- POSITION B - ORANGE
- POSITION C - RED

PLUG-IN HARNESS (20581) BLADE TERMINAL TO PLUG-IN ADAPTER (20589) BLUE WIRE



ILL21303R1



BROWN (V/H)  
BLACK/ORANGE (V/H)  
RELAY CONNECTIONS  
(V/H = FROM VEHICLE HARNESS)  
(P/H = FROM PECULIAR HARNESS)