



**Fisher Engineering**

P.O. Box 529 Rockland, Maine 04841

December 28, 2005  
Lit. No. 21988, Rev. 06

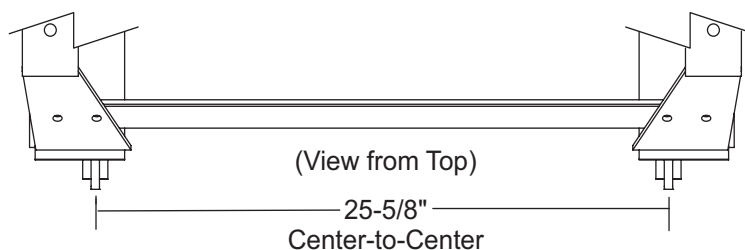
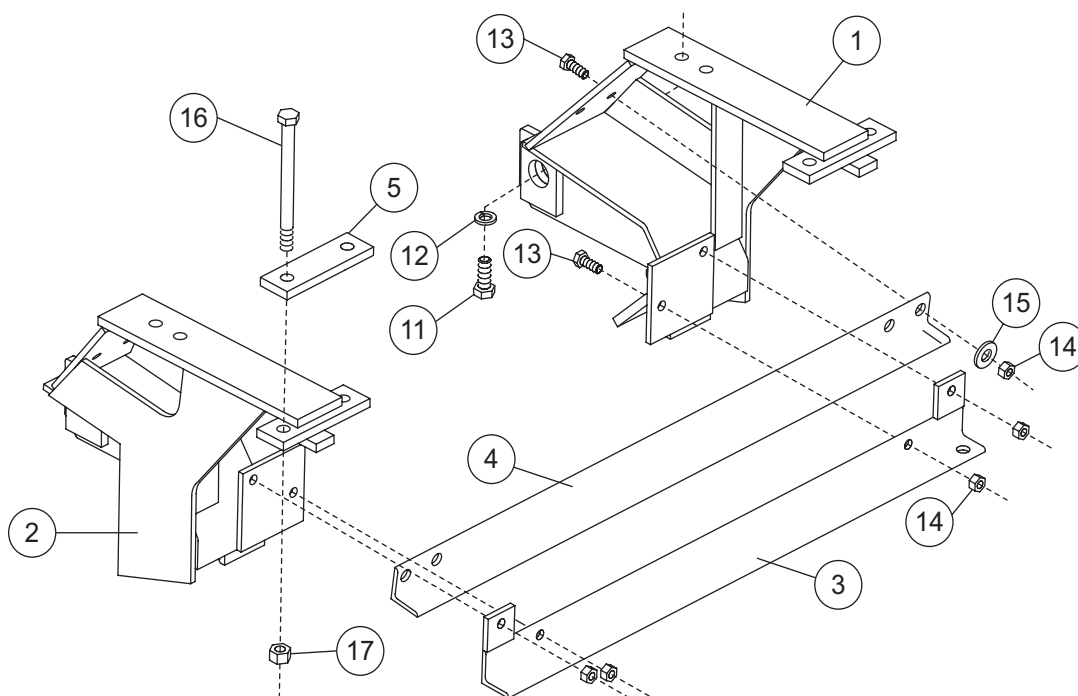
# Minute<sup>2</sup> SYSTEM

## MOUNT KIT

**Toyota Tacoma**

**1995 1/2 - 00**

### Parts List



# 7158

7158 Mount Kit							
Item	Part	Qty	Description	Item	Part	Qty	Description
1	21992	1	Pushplate – PS	4	20576	1	Angle Brace
2	21991	1	Pushplate – DS	5	20579	2	Bolting Bar
3	8353	1	Angle Bracket	ns	20577	1	Bolt Bag – 7158 & 7166
20577 Bolt Bag – 7158 & 7166							
11	90404	4	M12 x 1.25 x 40 Hex Cap Screw G8.8	16	91034	4	1/2-13 x 5-1/2 Hex Cap Screw G5
12	95174	4	M12 Regular Spring Lock Washer	17	90355	4	1/2-13 Hex Locknut GB
13	90039	8	3/8-16 x 1 Hex Cap Screw G5	ns	90614	2	1/4-20 x 1-1/4 Hex Cap Screw G5
14	91333	8	3/8-16 Hex Locknut GB	ns	91331	2	1/4-20 Hex Locknut GB
15	90315	8	3/8 Flat Washer				
ns = not shown							

Copyright © 2005 Douglas Dynamics, L.L.C. All rights reserved. This material may not be reproduced or copied, in whole or in part, in any printed, mechanical, electronic, film or other distribution and storage media, without the written consent of Fisher Engineering. Authorization to photocopy items for internal or personal use by Fisher Engineering outlets or snowplow owner is granted.

Fisher Engineering reserves the right under its product improvement policy to change construction or design details and furnish equipment when so altered without reference to illustrations or specifications used. Fisher Engineering and the vehicle manufacturer may require and/or recommend optional equipment for snow removal. Do not exceed vehicle ratings with a snowplow. Fisher Engineering offers a limited warranty for all snowplows and accessories. See separately printed page for this important information. The following are registered (®) trademarks of Douglas Dynamics, L.L.C.: FISHER®, Minute Mount® 2.

Printed in U.S.A.