

Headgear Kit for 8' and 9' "HD" Blades Parts List and Diagrams

Table Of Contents

Headgear Assembly 2

Headgear Bolt Bag Parts List 2

Connecting Pin 3

Jack Leg and Support 3

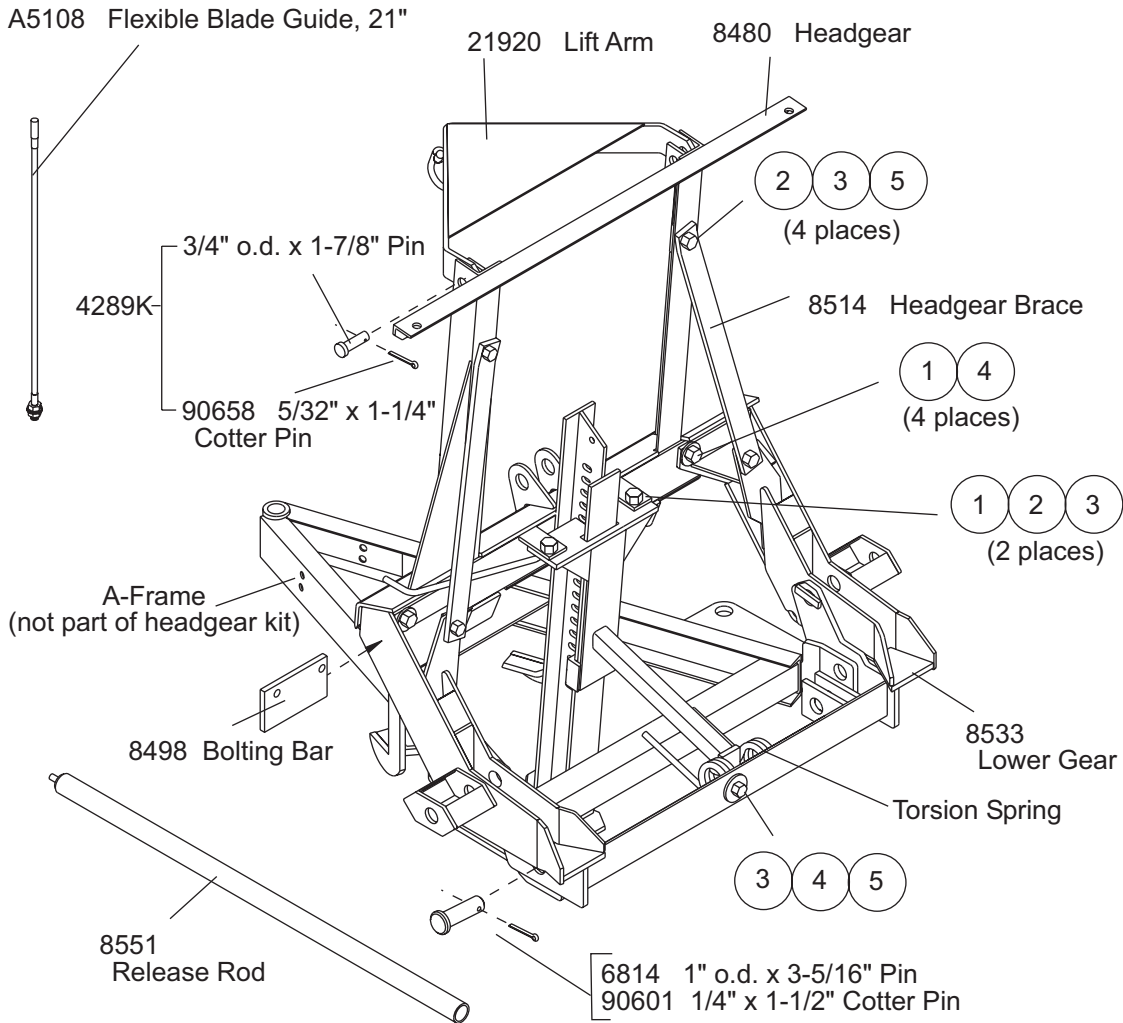
Torsion Spring 3

Headgear Parts List

22250 Headgear Kit					
Part #	Qty Req	Description	Part #	Qty Req	Description
8533	1	Lower Gear	8551	1	Release Rod
8480	1	Headgear	95232	1	Small Parts Kit , 22250
8514	2	Headgear Brace	95232 Small Parts Kit		
21920	1	Lift Arm	8499	1	Jack Lever
20488	1	Jack Support	A5108	2	Flexible Blade Guide 21"
22196	1	Bolt Bag	20182	1	Torsion Spring
20491	1	Jack Leg	8498	2	Bolting Bar

**22250
HD**

Headgear Assembly

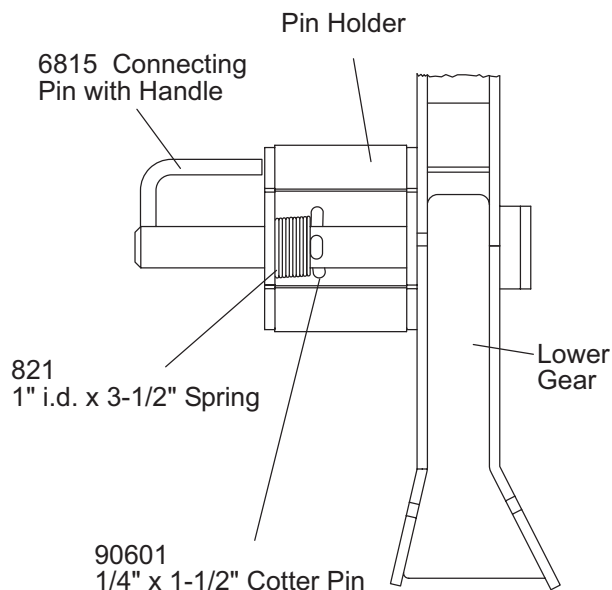


Bolt Bag - 22196							
Ref #	Part #	Qty Req	Description	Ref #	Part #	Qty Req	Description
ns	6815	2	Connecting Pin w/Handle	ns	90334	2	3/8-16 Nut
-	*	2	3/4" o.d. x 1-7/8" Pin	ns	90352	2	3/8-16 Locknut
-	90658	3	5/32" x 1-1/4" Cotter Pin	1	90575	7	1/2-13 x 1-1/4" Gr. 5 Cap Screw
-	90601	4	1/4" x 1-1/2" Cotter Pin	2	90364	7	1/2" Lock Washer
-	6814	2	1" o.d. x 3-5/16" Clevis Pin	3	90337	7	1/2-13 Nut
ns	8173	1	Jack Handle	4	90572	5	1/2" Gr. 8 Flat Washer
ns	7794	1	Spring – 1/2" o.d. x 2"	5	90210	5	1/2-13 x 1-1/2" Gr. 5 Cap Screw
ns	821	2	Spring – 1" i.d. x 3-1/2"	ns	*	1	3/8-16 U-Bolt
ns	90361	1	3/8" Lock Washer				

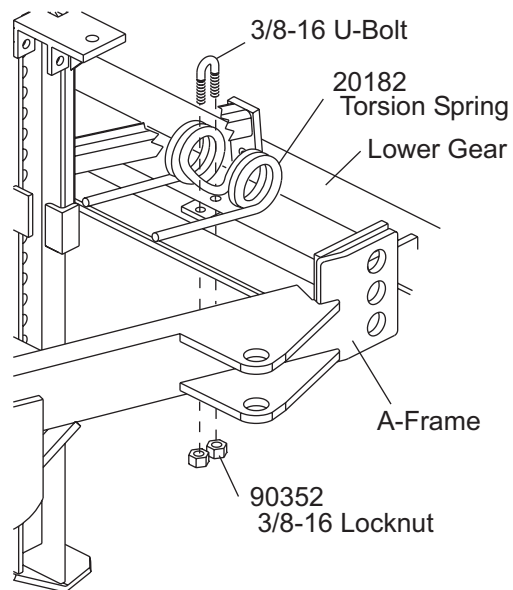
* available as part of service kit only

ns = not shown

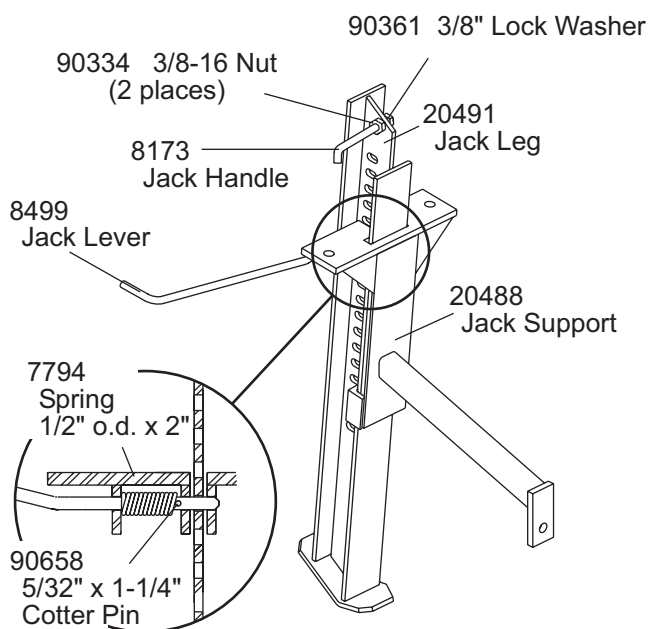
Connecting Pin Assembly – 6920K



Torsion Spring Kit – 20185



Jack Leg and Support



Torsion Spring Kit – 20185			
Ref #	Part #	Qty	Description
-	20182	1	Torsion Spring
-	*	1	3/8" U-Bolt
-	90352	2	3/8-16 Locknut
ns	20183	1	Tab
ns	*	1	Gusset
* available as part of service kit only			

Connecting Pin Assembly Kit – 6920K			
Ref #	Part #	Qty	Description
-	6815	2	Connecting Pin with Handle
-	821	2	1" i.d. x 3-1/2" Spring
-	90601	2	1/4" x 1-1/2" Cotter Pin

22250 HD

Copyright © 2002 Douglas Dynamics, L.L.C. All rights reserved. This material may not be reproduced or copied, in whole or in part, in any printed, mechanical, electronic, film or other distribution and storage media, without the written consent of Fisher Engineering. Authorization to photocopy items for internal or personal use by Fisher Engineering outlets is granted.

Fisher Engineering reserves the right under its product improvement policy to change construction or design details and furnish equipment when so altered without reference to illustrations or specifications used herein. Fisher Engineering and the vehicle manufacturer may require and/or recommend optional equipment for snow removal. Fisher Engineering offers a limited warranty for all snowplows and accessories. See separately printed page for this important information. The following are registered (®) trademarks of Douglas Dynamics, L.L.C.: EZ-V®, FISHER®

Printed in USA