



Fisher Engineering

50 Gordon Drive, Rockland, Maine 04841-2139 • www.fisherplows.com

27000

27200

March 15, 2011

Lit. No. 26917, Rev. 04

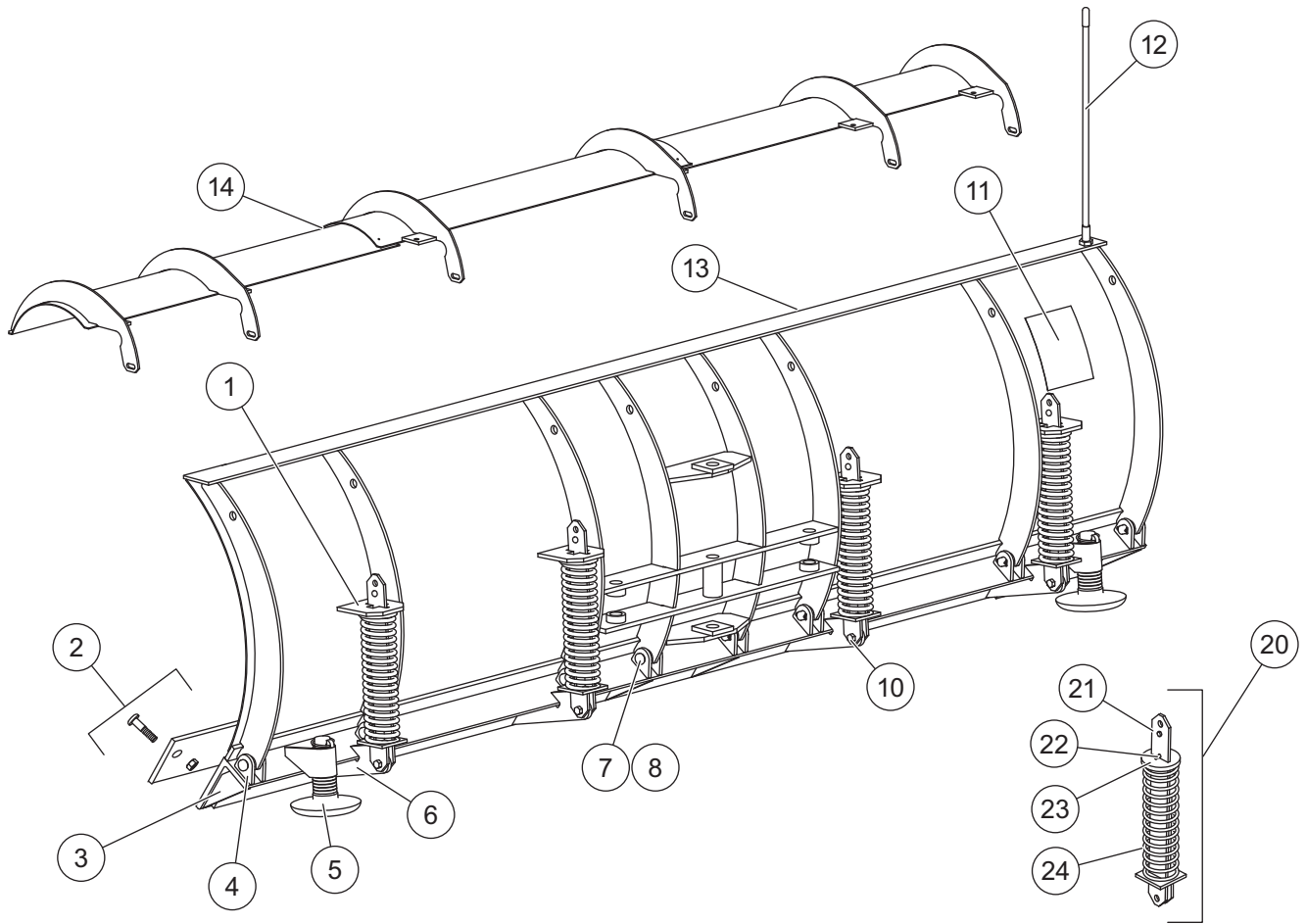


Blade, A-Frame and Headgear

"M" Series Snowplow

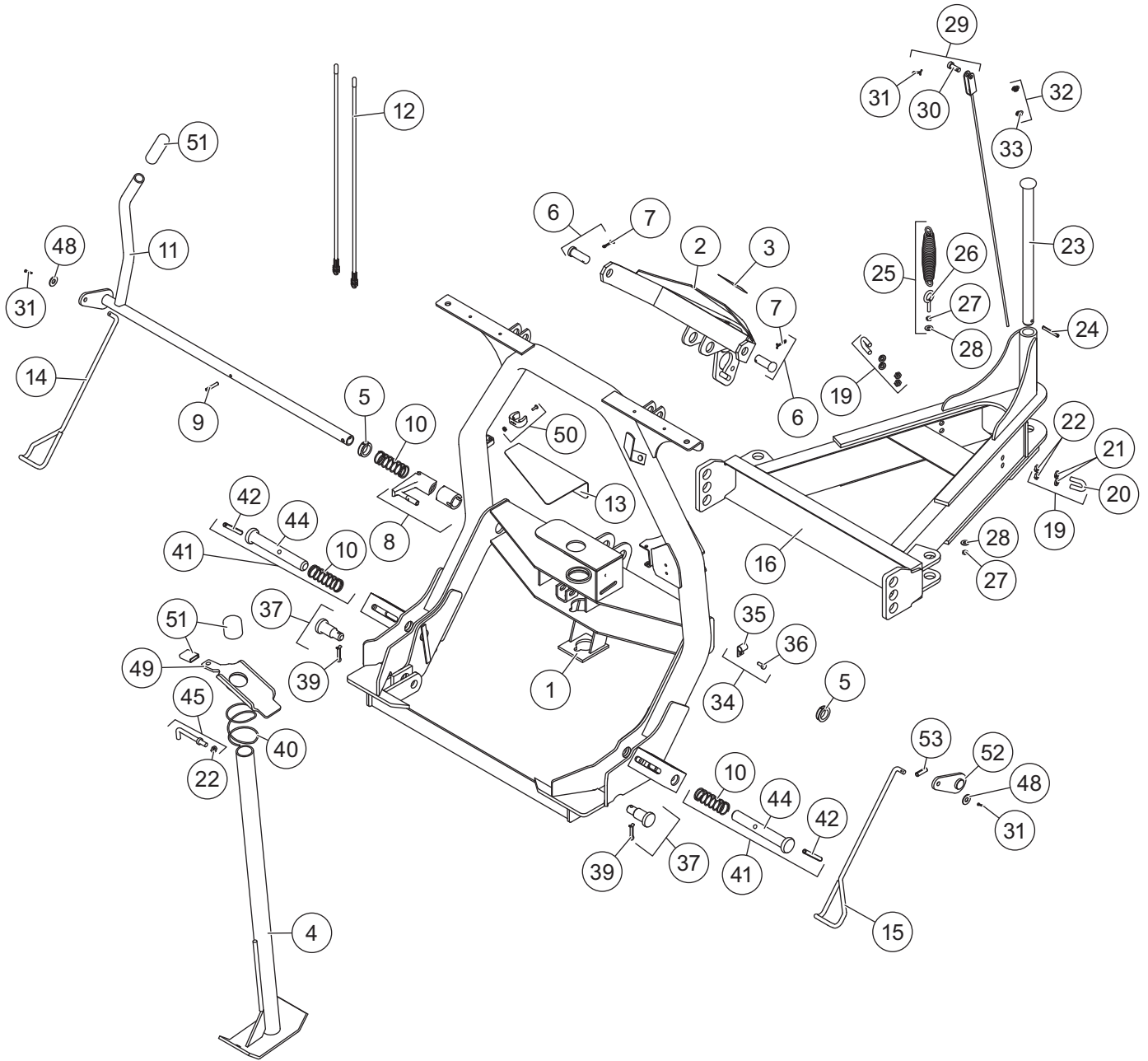
Parts List

BLADE COMPONENTS



"M" Series Blade Components					
Item	Part	Description	Item	Part	Description
1	22144	Top Anchor, Removable Spring	7	5523K	3/4 x 2-3/16 Machine Pin
2	5532	7-1/2' Cutting Edge	8	90658	5/32 x 1-1/4 Cotter Pin
	5533	8' Cutting Edge	10	40905	7/16-14 Shoulder Bolt Special
	26460	8-1/2' Cutting Edge	11	21793	Label, Warning Caution
	5534	9' Cutting Edge	12	7906K	Packet – Blade Guide Set
3	29440	7-1/2' Base Angle	13	20238	Decal, FISHER® Splatter
	26441	8' Base Angle	14	27100	SnoFoil® Assembly, 7-1/2', 8', 8-1/2', 9'
	26442	8-1/2' Base Angle	20	26464	Removable Spring Assembly
	26443	9' Base Angle	21	20757	Removable Spring Bar Replacement
4	DC4880	Base Angle Ear	22	20181	1/4 x 1-1/4 Pin
5	26523	Shoe Assembly, 6" solid cast	23	20191	Removable Spring Disc
6	8872	Gusfoot	24	27406	Trip Spring
ns = not shown			G = Grade		

HEADGEAR AND A-FRAME COMPONENTS



27000 Headgear and A-Frame Components							
Item	Part	Qty	Description	Item	Part	Qty	Description
1		1	Headgear	11	26855	1	Handle-Link Arm Assembly
2	26757-1	1	Lift Arm	12	7906K	1	Packet – Blade Guide Set
3	26777	1	Nameplate Decal, MM2	13	27049	1	Label, MM2 Headgear
4	26862	1	Jack Leg	14	27166K	1	Wire Cam Kit – DS
5	27163K	1	Bushing Kit (2 bushings)	15	27167K	1	Wire Cam Kit – PS
6	4289K	2	3/4 x 1-7/8 Machine Pin Packet	16	27598**	1	A-Frame Kit – HD "M" Series
7	90658*	2	5/32 x 1-1/4 Cotter Pin	ns	26088**	1	Bolt Bag – A-Frame Kit RD/HD/X
8		1	Cylinder Cam Kit (2 Cams and Pin)	ns	26920	1	Bolt Bag for 27000/27200
9	26852	1	1/4 x 1-1/2 Slotted Spring Pin	ns	26999	1	Chain Bag – RD/HD/X
10	821	1	1 x 3-1/2 Compression Spring				
26088 Bolt Bag – A-Frame Kit RD/HD/X							
19	A6148K	2	Packet – U-Bolt Assembly	22	91413	4	3/8-16 Hex Nut G5
20	90453	2	3/8 x 1-5/8 x 1/2 x 1-1/4 U-Bolt G5	23	26060	1	1 x 15-13/16 Pivot Pin
21	91203	4	3/8 Helical Spring Lock Washer	24	26463	1	1/4 x 2 Slotted Spring Pin
26920 Bolt Bag for 27000/27200							
10	821	2	1 x 3-1/2 Compression Spring	37	27177K	2	Step Pin Kit
22	91413	4	3/8-16 Hex Nut G5	39	90601	2	1/4 x 1-1/4 Cotter Pin
25	27170K	1	Spring/Eyebolt Kit	40	26822	1	2.6 x 3 Compression Spring
26	27073	1	1/4-20 x 2 Eyebolt	41	27168K	2	Connecting Pin Kit
27	91331	2	1/4-20 Hex Locknut GB	42	26219	2	3/8 x 3-1/4 Clevis Pin Kit
28	90311	2	1/4 Flat Washer Type A Wide	44	26833	2	1 x 6-15/16 Pin
29	27171K	1	3/8 x 1 Clevis Pin Kit	45	27164K	1	Handle Kit
30	26780	1	3/8 x 1 Clevis Pin	48	90315	2	3/8 Flat Washer Type A
31	91902	3	1/8 x 1 Cotter Pin	49	26827	1	Jack Lock
32	27169K	1	Cable Kit	50	27162K	1	Clip Kit
33	27075	2	1/8 Cable Clamp	51	27161K	1	Vinyl Kit
34	27172K	1	Clamp Loop Kit	52	26847	1	Link Arm Assembly
35	65340	1	Clamp Loop #10	53	26842	1	3/8 x 1-1/4 Slotted Spring Pin
36	93148	1	1/4-14 x 3/4 Tapping Screw				
ns = not shown		G = Grade		* = Included in 4289K		** = not in 27200	

Copyright © 2011 Douglas Dynamics, L.L.C. All rights reserved. This material may not be reproduced or copied, in whole or in part, in any printed, mechanical, electronic, film or other distribution and storage media, without the written consent of Fisher Engineering. Authorization to photocopy items for internal or personal use by Fisher Engineering outlets or snowplow owner is granted.

Fisher Engineering reserves the right under its product improvement policy to change construction or design details and furnish equipment when so altered without reference to illustrations or specifications used. Fisher Engineering or the vehicle manufacturer may require or recommend optional equipment for snow removal. Do not exceed vehicle ratings with a snowplow. Fisher Engineering offers a limited warranty for all snowplows and accessories. See separately printed page for this important information. The following are registered (®) trademarks of Douglas Dynamics, L.L.C.: FISHER®, Minute Mount® 2, SnoFoil®.

Printed in U.S.A.
