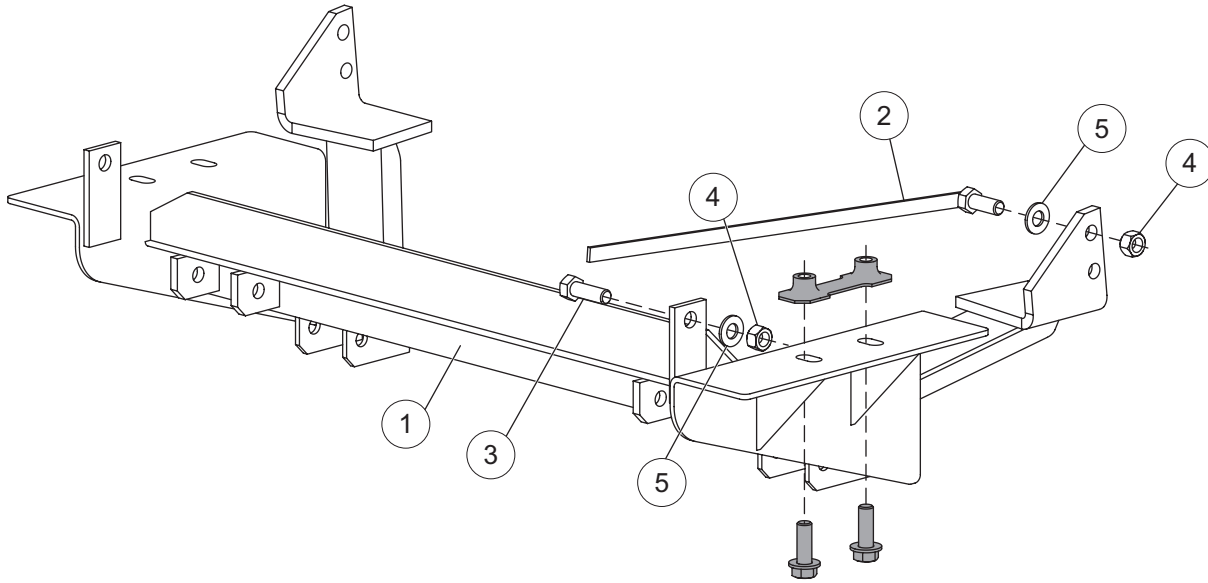


**MOUNT KIT PERSONAL PLOW**  
**Ford F-150 1997 - 03 / Expedition 1997 - 02**

**1223**

Parts List

January 2, 2006  
 Lit. No. 27424, Rev. 03



Shaded parts are original vehicle fasteners.

1223 Mount Kit							
Item	Part	Qty	Description	Item	Part	Qty	Description
1		1	Truck Mount	ns	27445	1	Bolt Bag – 1223/1233
2	21314	2	1/2-13 x 1-1/4 Hex Cap Screw G5 with Handle				
27445 Bolt Bag – 1223/1233							
3	90210	2	1/2-13 x 1-1/2 Hex Cap Screw G5	5	90572	4	1/2 Hardened Flat Washer
4	91335	4	1/2-13 Hex Locknut GB				
ns = not shown				G = Grade			

Copyright © 2006 Douglas Dynamics, L.L.C. All rights reserved. This material may not be reproduced or copied, in whole or in part, in any printed, mechanical, electronic, film or other distribution and storage media, without the written consent of the company. Authorization to photocopy items for internal or personal use by the company's outlets or snowplow owner is granted.

The company reserves the right under its product improvement policy to change construction or design details and furnish equipment when so altered without reference to illustrations or specifications used. This equipment manufacturer and/or the vehicle manufacturer may require and/or recommend optional equipment for snow removal. Do not exceed vehicle ratings with a snowplow. The company offers a limited warranty for all snowplows and accessories. See separately printed page for this important information.

Printed in U.S.A.

