



**Fisher Engineering**

P.O. Box 529 Rockland, Maine 04841

28888 V

July 1, 2005

Lit. No. 27591, Rev. 11

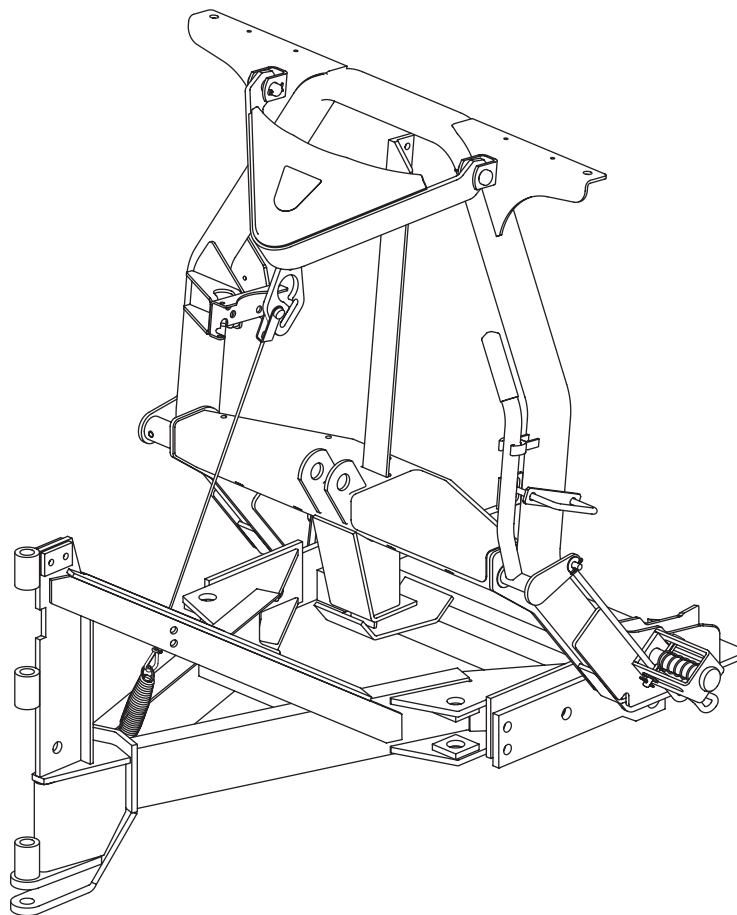
**Minute<sup>2</sup>**  
Mount  
SYSTEM



# COMMON ATTACHMENT KIT

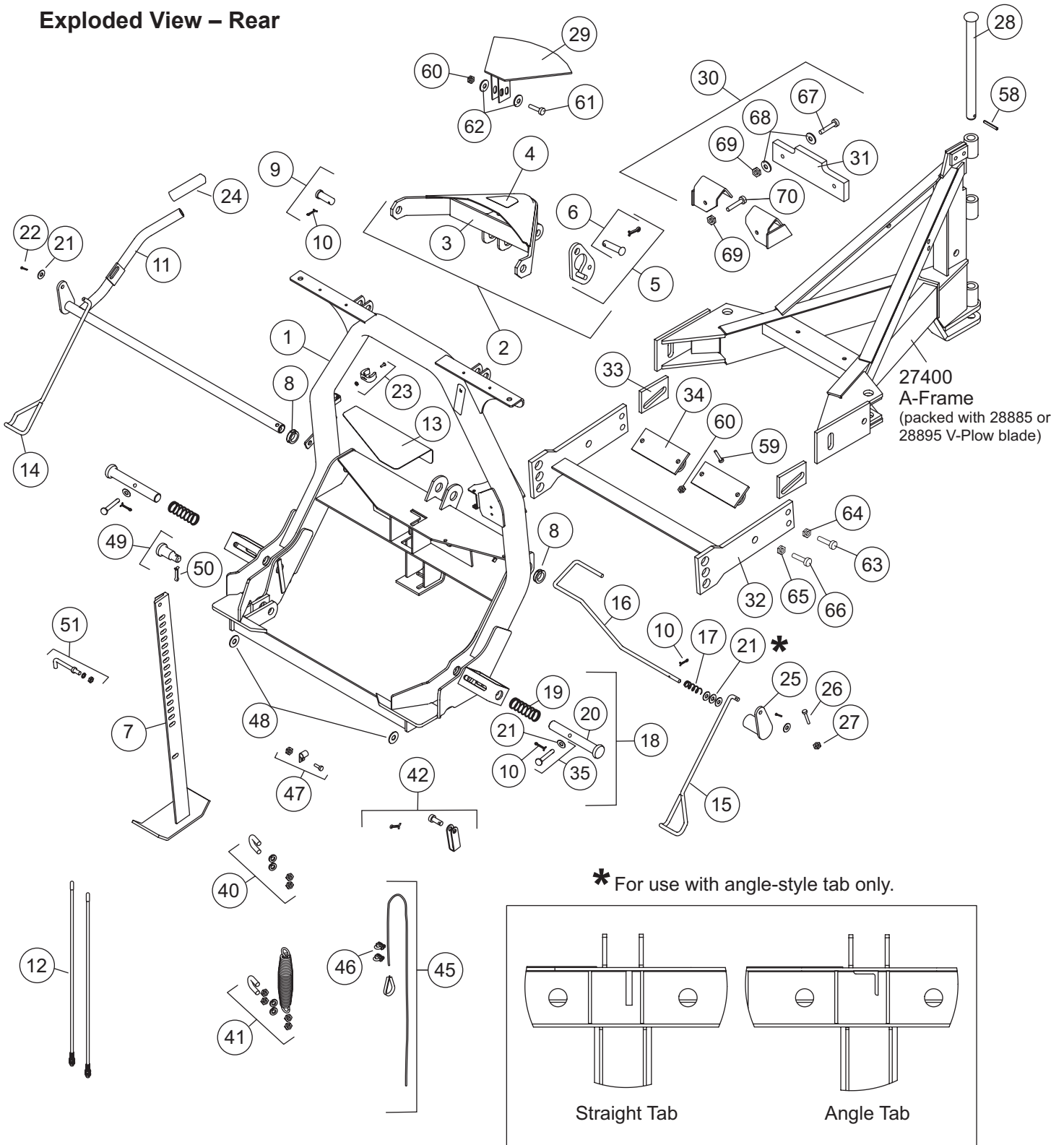
## V Series

## Parts List



Minute Mount® 2 SYSTEM

Exploded View – Rear



28888 Common Attachment Kit							
Item	Part	Qty	Description	Item	Part	Qty	Description
1	27454	1	Headgear	19	821	2	Compression Spring, 1 ID x 3-1/2
2	26757-1	1	Lift Arm Kit – Yellow	20	26833	2	1 OD x 6-15/16 Pin
3	28993	1	Lift Arm – Yellow	21	90315	7	3/8 Flat Washer
4	26777	1	Nameplate Decal, MM2	22	91902	1	1/8 x 1 Cotter Pin
5	28991	1	Stop Link Kit	23	27162K	1	Stop Clip Kit
6	29037	1	Clevis Pin w/Cotter	24	27535	1	Handle Cover Kit
7	27462	1	Jack	25	27465	1	Link Arm
8	27163K	1	Bushing Kit (2 bushings)	26	90043	1	3/8-16 x 2 Hex Cap Screw G5
9	4289K	2	3/4 x 1-7/8 Machine Pin Packet	27	91333	1	3/8-16 Hex Locknut GB
10	90658	5	5/32 x 1-1/4 Cotter Pin	28	20988	1	V-Plow Pivot Pin
11	27468	1	Handle-Link Arm Assembly	29	21873	1	Center Deflector
12	27195	1	Flexible Blade Guide Set – 26"	30	26858	1	EZ-V® Center Flap Kit
13	27451	1	Label, MM2 Headgear	31	63508	1	Rubber Flap
14	27166K	1	Wire Cam Kit – DS	32	27345	1	Push Assembly
15	27167K	1	Wire Cam Kit – PS	33	27346	2	Plate, Slotted
16	27478	1	Jack Lock	34	27533	2	A-Frame Stop
17	27461	1	Compression Spring, 3/4 OD x 3-1/2	35	26219	2	Clevis Pin Kit
18	27168K	2	Connecting Pin Kit	ns	27593	1	Bolt Bag for 28888
				ns	27912	1	Chain Bag
27593 Bolt Bag for 28888							
40	A6148K	2	Packet – U-Bolt Assembly	60	91333	6	3/8-16 Hex Locknut GB
41	27534	1	Spring / U-Bolt Kit	61	90043	2	3/8-16 x 2 Hex Cap Screw G5
42	27171K	1	Clevis Kit	62	90315	4	3/8 Flat Washer
45	27169K	1	Cable Kit	63	98003	2	5/8-11 x 2 Flanged Head G8
46	27075	2	1/8 Wire Rope Clip	64	98004	2	5/8-11 Hex Flange Locknut GG
47	27172K	1	Clamp Loop Kit	65	98019	2	3/4-10 Hex Flange Locknut GG
48	91192	2	Round Flat Washer	66	98037	2	3/4-10 x 2-1/2 Hex Cap Screw
49	27177K	2	Step Pin Kit	67	90104	2	1/2-13 x 2-1/2 Hex Cap Screw G5
50	90601	2	1/4 x 1-1/2 Cotter Pin	68	4433	4	1/2 Flat Washer
51	27164K	1	Handle Kit	69	90355	6	1/2-13 Hex Locknut GB
58	26463	1	1/4 x 2 Slotted Spring Pin	70	90217	4	1/2-13 x 2 Hex Cap Screw G5
59	90201	4	3/8-16 x 1 Carriage Bolt G5				
26858 EZ-V Center Flap Kit							
30	63508	1	Rubber Flap	ns	63510	1	DS Mounting Plate
ns	63509	1	PS Mounting Plate	ns	26879	1	Bolt Bag for 26858
26879 Bolt Bag for 26858							
67	90104	2	1/2-13 x 2-1/2 Hex Cap Screw G5	69	90355	6	1/2-13 Hex Locknut GB
68	4433	4	1/2 Flat Washer	70	90217	4	1/2-13 x 2 Hex Cap Screw G5
ZYC = zinc yellow chromate				ns = not shown			

Copyright © 2005 Douglas Dynamics, L.L.C. All rights reserved. This material may not be reproduced or copied, in whole or in part, in any printed, mechanical, electronic, film or other distribution and storage media, without the written consent of Fisher Engineering. Authorization to photocopy items for internal or personal use by Fisher Engineering outlets or snowplow owner is granted.

Fisher Engineering reserves the right under its product improvement policy to change construction or design details and furnish equipment when so altered without reference to illustrations or specifications used. Fisher Engineering and the vehicle manufacturer may require and/or recommend optional equipment for snow removal. Do not exceed vehicle ratings with a snowplow. Fisher Engineering offers a limited warranty for all snowplows and accessories. See separately printed page for this important information. The following are registered (®) trademarks of Douglas Dynamics, L.L.C.: EZ-V®, FISHER®, Minute Mount® 2.

**Printed in U.S.A.**

---